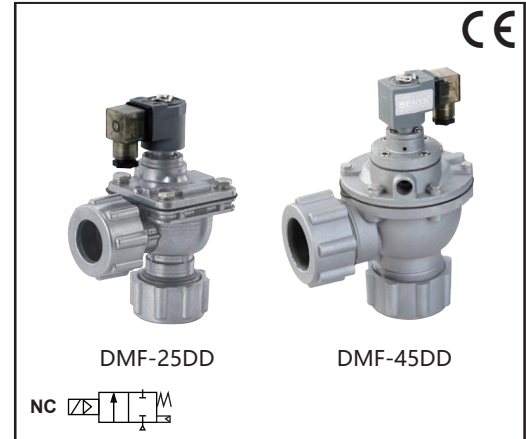


Features

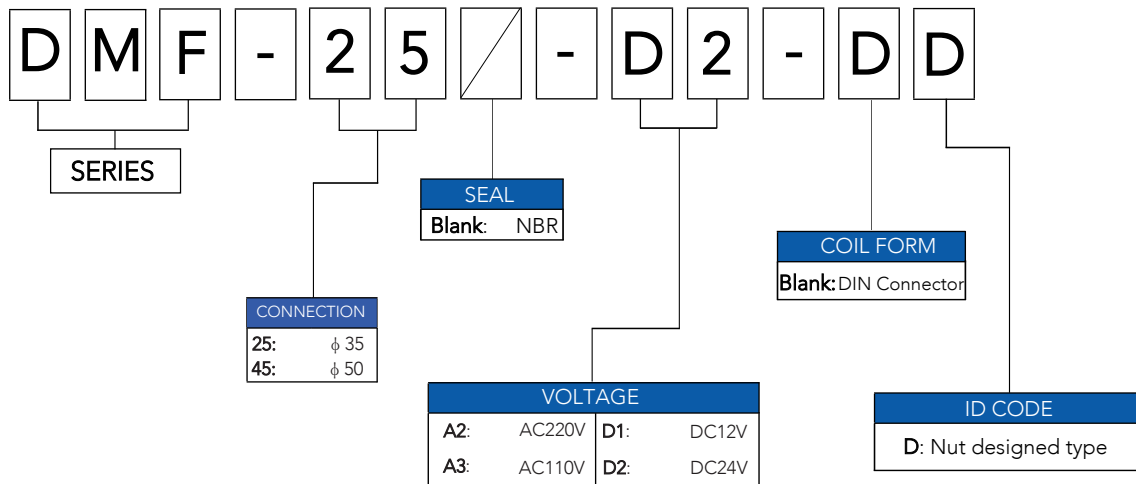
- Pulse valve special designed in durst-free industry.
- Long Lifetime and durable in use.
- Better production protection and high resistance in bad working environment.
- Special nut design could help easy pipeline installation.



Electrical

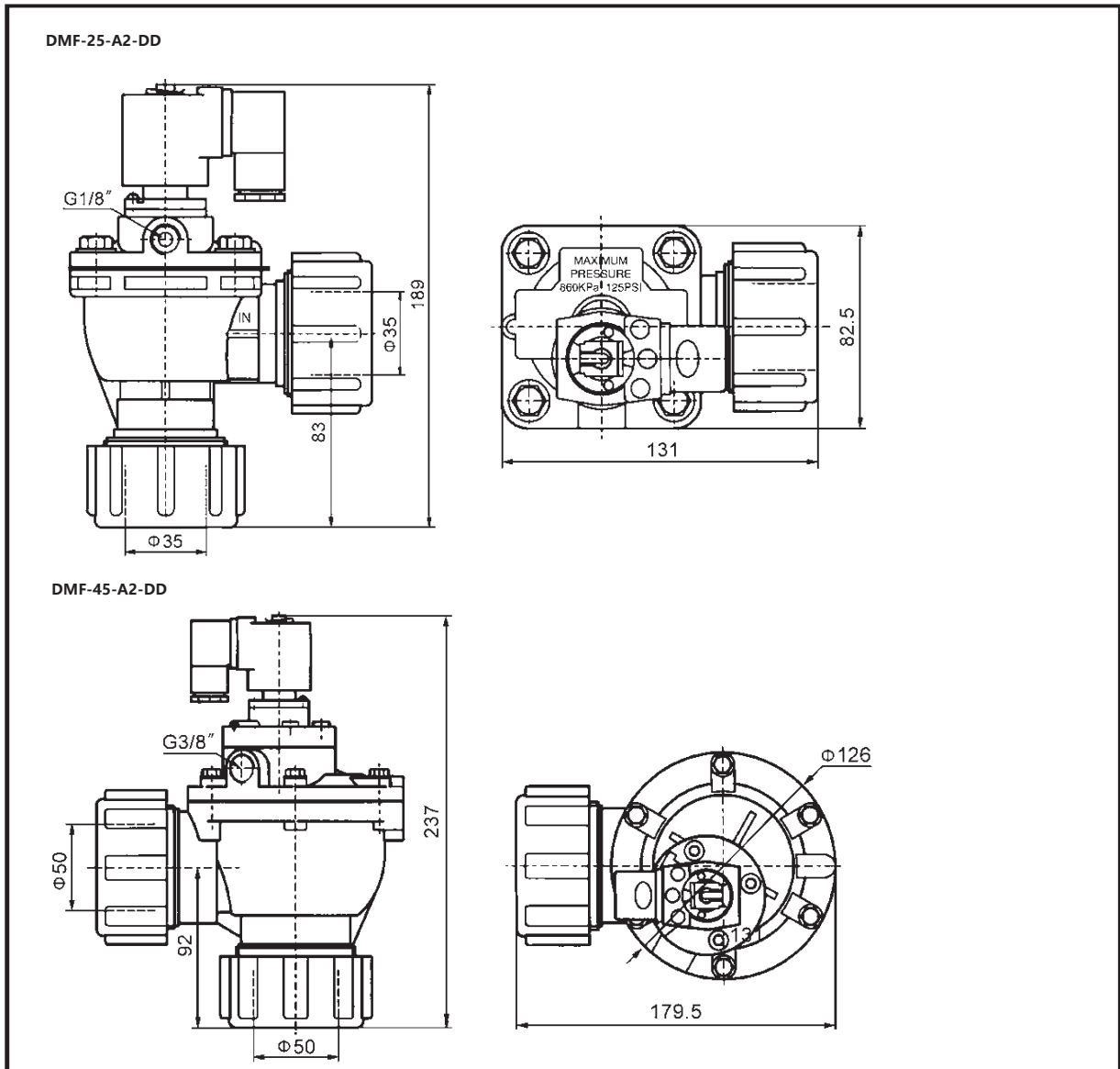
Standard Coil Class of Insulation	Watt Rating and Power Consumption				Spare Coil Part Number			
	DC		AC		General Purpose		Explosionproof	
	DC12V Watt	DC24V Watt	AC110V Watt	AC220V Watt	AC	DC	AC	DC
H/F	10W	11W	15VA	17VA	XHD-DD-AC	XHD-DD-DC	-	-
-	-	-	-	-	-	-	-	-
-	-	-	-	-	-	-	-	-

Ordering Code



Order Example:
DMF series pulse valve, φ 50 connection size, NBR seals, AC220V, DIN connector
SENYA part#DMF-45-A2-DD

Dimensions Sheet (mm)



Model	DMF-25-A2-DD	DMF-45-A2-DD
Operating Pressure	0.3~0.8MPa	
Ambient Temperature	-5~55°C	
Relative Humidity	< 85%	
Working Medium	Clean Air	
Voltage	AC110V/AC220V/DC24V	
Diaphragm Life and Protection Class	Over One Million Cycles; IP65	
Orifice	φ25	φ40
Connection Port	φ35	φ50