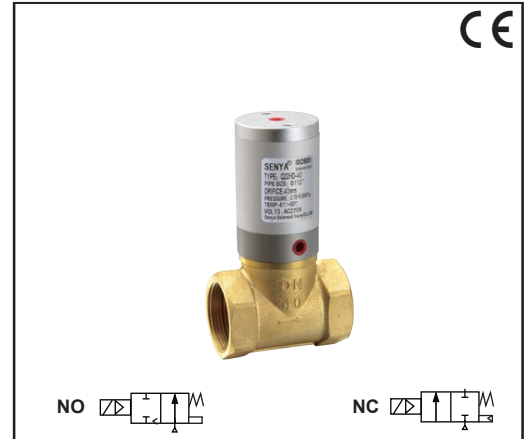


Features

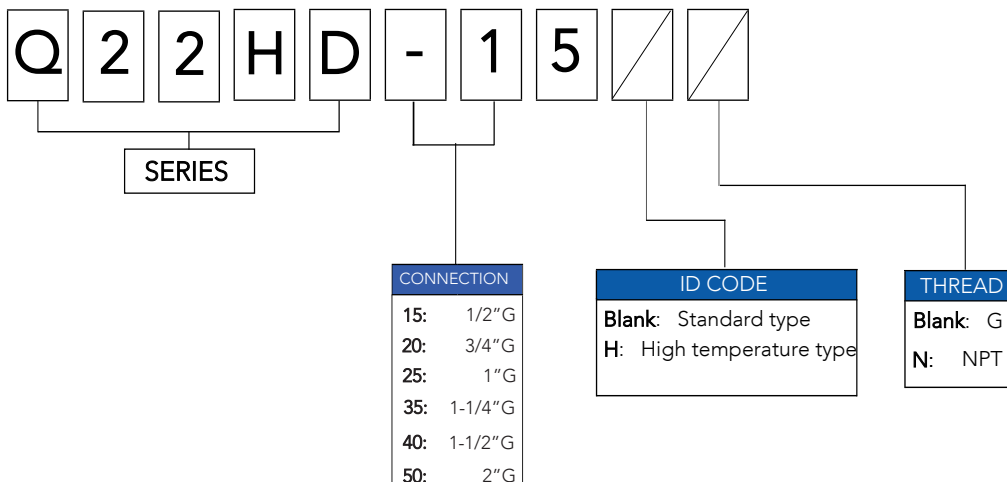
- Low starting pressure of the valve, close the high sensitivity, good sealing performance, any imports direction.
- Can be installed at **any Angle** and sealed at two-way at the same time, which **cannot be affected** by the **working condition** and **flow direction** of medium
- Now widely used in food, medicine, industry, washing, petrochemical, metallurgy, spray, vehicles and other machinery and equipment.



Technical Parameter

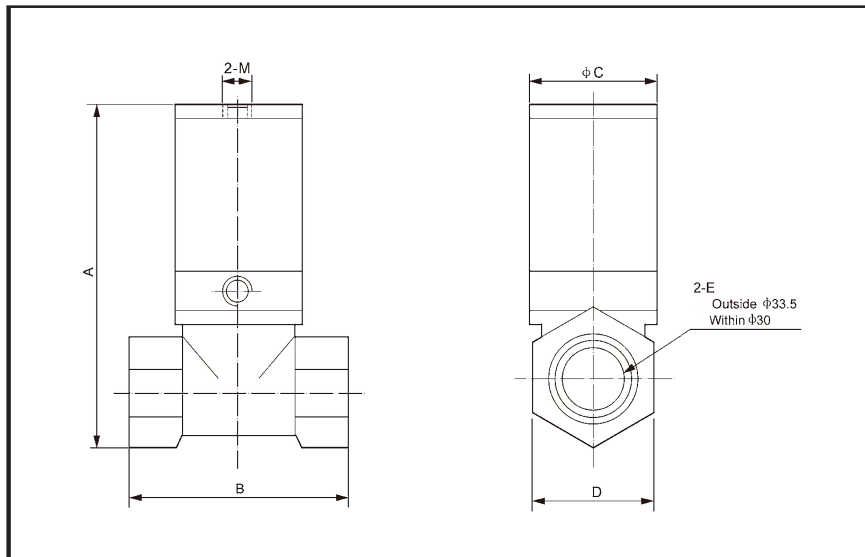
Model	Q22HD-15	Q22HD-15	Q22HD-25	Q22HD-35	Q22HD-40	Q22HD-50
Nominal Diameter	15	20	25	32	40	50
Port Size	1/2"	3/4"	1"	1 1/4"	1 1/2"	2"
Working Medium	Air, water, oil, liquefied petroleum gas, lighter viscosity fluid					
Working Pressure	0.2~0.6 MPa					
Medium and Ambient Temperature	-5~60°C, -5~150°C (High temperature type)					
CV (Coefficient Values)	4.7	5.8	11.6	28.9	29.0	46.2

Ordering Code



Order Example:
Q22HD series N.C. 2/2 ways solenoid valve, 3/4" port size, BSPP (G) thread.
SENYA part#Q22HD-15

Dimensions Sheet (mm)



Model	A	B	C	D	M	E	Weight (g)
Q22HD-15	96	47	31	26	G1/8	G1/2	250
Q22HD-20	102	54	31	33	G1/8	G3/4	330
Q22HD-25	115	66	38	39.5	G1/8	G1	490
Q22HD-35	143	77	46	48	G1/8	G1 ¹ / ₄	820
Q22HD-40	160	86	56	54	G1/8	G1 ¹ / ₂	1050
Q22HD-50	182	116	69	67	G1/8	G2	1680

Specifications (Metric units)

Pipe Size (mm)	Orifice Size (mm)	CV Flow Factor	Operating Pressure Differential (Bar)						Max. Fluid Temp. °C		Stainless Steel Seat and Plastic Actuator	Full Stainless Steel 304	Watt Rating/ Class of Coil Insulation	
			Max. Working Pressure			Control Pressure			AC	DC			Catalog Number	Catalog Number
			Min.	Air-Inert Gas	Water	Light Oil less 50 CST	Min.	Max.						
NORMALLY CLOSED (Closed when de-energized)														
1/2"	15	4.6	2	6	6	6	3	6	180	180	Q22HD-15	-	-	-
3/4"	20	5.8	2	6	6	6	3	6	180	180	Q22HD-20	-	-	-
1"	25	11.6	2	6	6	6	3	6	180	180	Q22HD-25	-	-	-
1 ¹ / ₄ "	32	28.9	2	6	6	6	3	6	180	180	Q22HD-35	-	-	-
1 ¹ / ₂ "	40	28.9	2	6	6	6	3	6	180	180	Q22HD-40	-	-	-
2"	50	46.2	2	6	6	6	3	6	180	180	Q22HD-50	-	-	-