

## Features

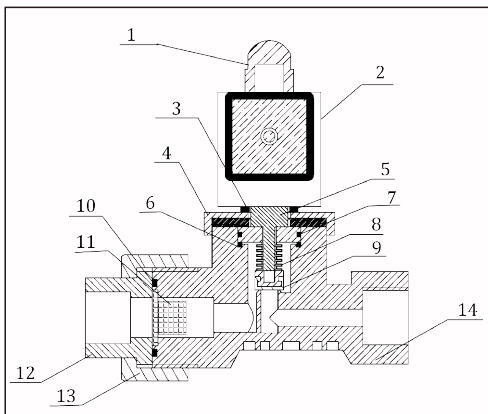
- The valve body is made of CPVC engineering plastic and exhibits excellent performance within the pH range of up to 10.
- Complete isolation of fluids from metal components, achieving true structural immunity to corrosion.
- Innovative design of spring structure. Protect the iron core from direct contact with the liquid. Innovative compression structure, with better support and repeatability
- Filter integrated which can filter impurities at the front end.



## Product Information

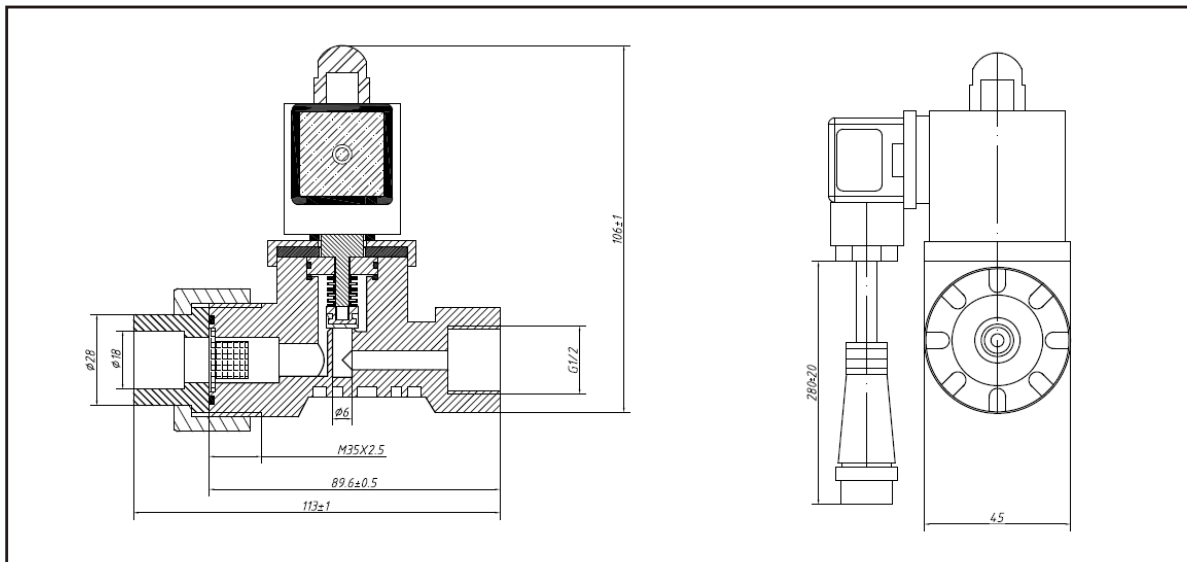
2C060-08V-A2-D-GJ	
Body Material	CPVC (<50% dilute sulfuric acid)
Sealing Material	Perfluorinated rubber
Working Temperature	-20 ~ 60°C
Operating Pressure	0 - 0.5 Mpa
Proof Pressure	1.0 Mpa
Orifice (mm)	6mm
CV Value	1.10 Cv
Fluid	10% sodium hypochlorite   30% dilute sulfuric acid
Power Consumption	AC: 16VA      DC: 15W

## Inside Structure



No.	Component name	No.	Component name
1	Coil Nut	10	O-ring
2	Coil	11	Filter
3	Coil Seal	12	Hot melt joint
4	Body Cover	13	Outside Nut
5	Plunger	14	Valve Body
6	O-ring		
7	O-ring		
8	Plastic Spring		
9	Seal		

**Product Dimension:**



**Ordering Code**

2	C	0	6	0	-	0	8	V	-	A	2	-	D	-	G	J																				
Series Code		Orifice size		Port size		Seals		VOLTAGE		Coil Type		Special Required																								
2C: CPVC, Acid and alkali resistant plastic solenoid valve		060: 6mm		08: 1/4" G		V: FKM		<table border="1"> <tr> <td><b>A1:</b></td> <td>AC380V</td> <td><b>D1:</b></td> <td>DC12V</td> </tr> <tr> <td><b>A2:</b></td> <td>AC220V</td> <td><b>D2:</b></td> <td>DC24V</td> </tr> <tr> <td><b>A3:</b></td> <td>AC110V</td> <td></td> <td></td> </tr> <tr> <td><b>A4:</b></td> <td>AC24V</td> <td></td> <td></td> </tr> </table>		<b>A1:</b>	AC380V	<b>D1:</b>	DC12V	<b>A2:</b>	AC220V	<b>D2:</b>	DC24V	<b>A3:</b>	AC110V			<b>A4:</b>	AC24V			D: DIN Coil		<table border="1"> <tr> <td><b>Blank:</b></td> <td>Standard type</td> </tr> <tr> <td><b>GJ:</b></td> <td>The epoxy resin sealant</td> </tr> </table>					<b>Blank:</b>	Standard type	<b>GJ:</b>	The epoxy resin sealant
<b>A1:</b>	AC380V	<b>D1:</b>	DC12V																																	
<b>A2:</b>	AC220V	<b>D2:</b>	DC24V																																	
<b>A3:</b>	AC110V																																			
<b>A4:</b>	AC24V																																			
<b>Blank:</b>	Standard type																																			
<b>GJ:</b>	The epoxy resin sealant																																			

**Ordering Example:**

2C series 2/2 ways plastic solenoid valve , 1/2" Port Size,  $\phi 20$  tube connecting, 0- 5 bar , CPVC valve body , G thread, FKM seals, N.C., AC220V

SENYA part# 2C-060-08V-A2-D-GJ