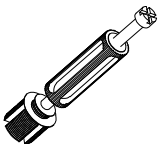
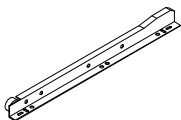
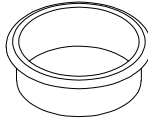
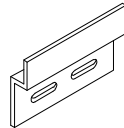


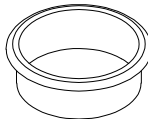

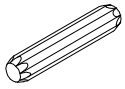
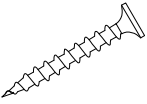
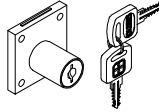

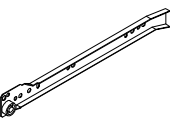
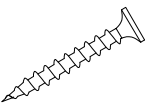
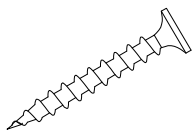
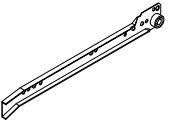
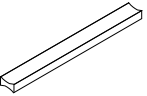
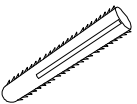
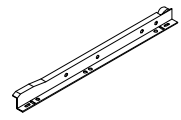

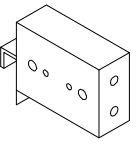
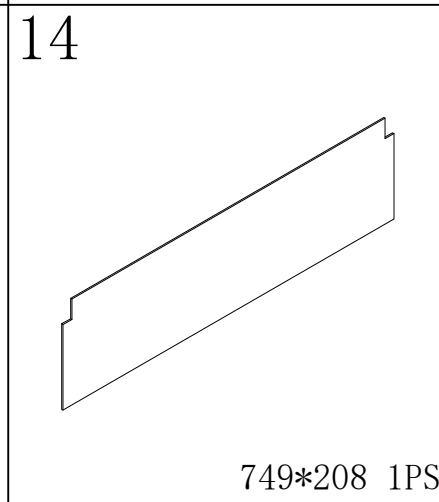
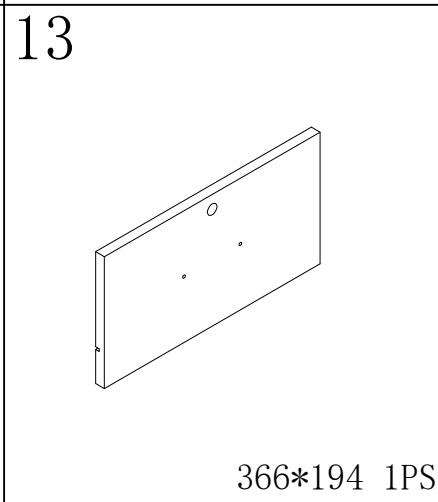
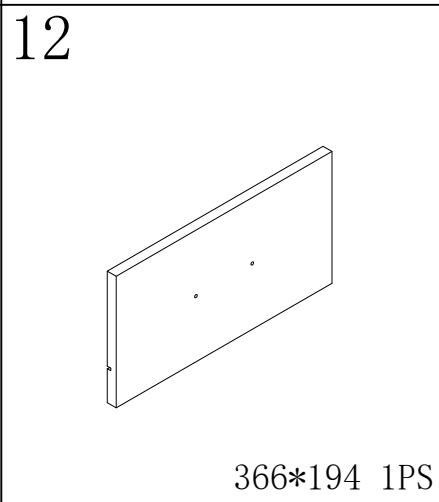
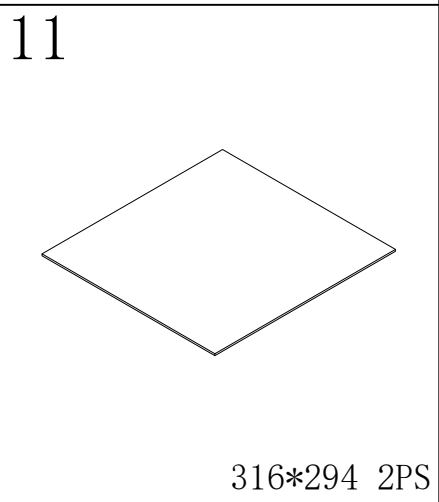
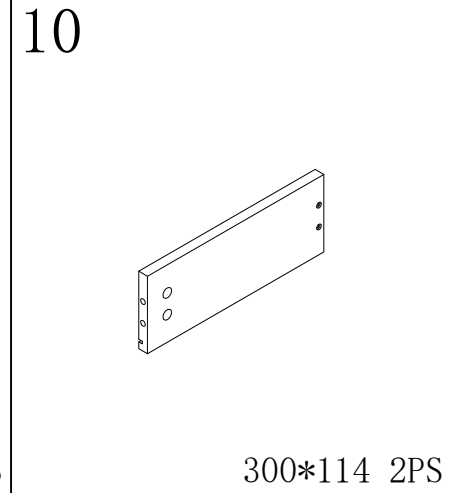
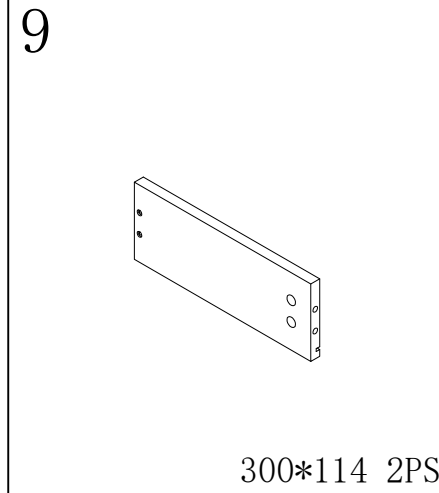
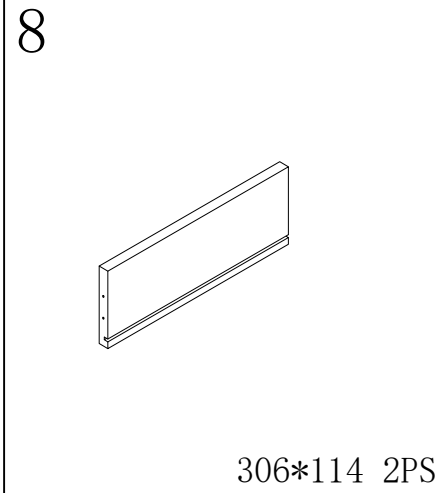
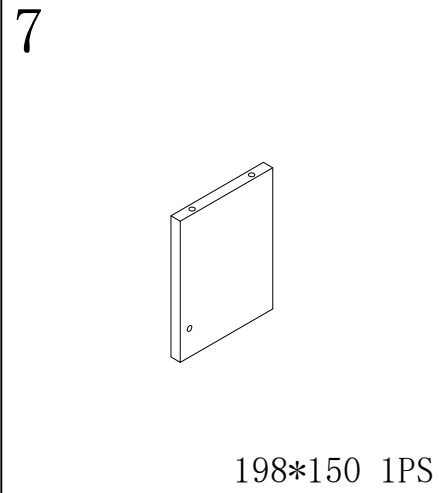
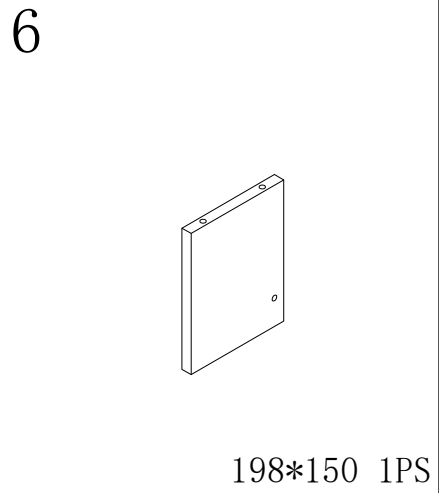
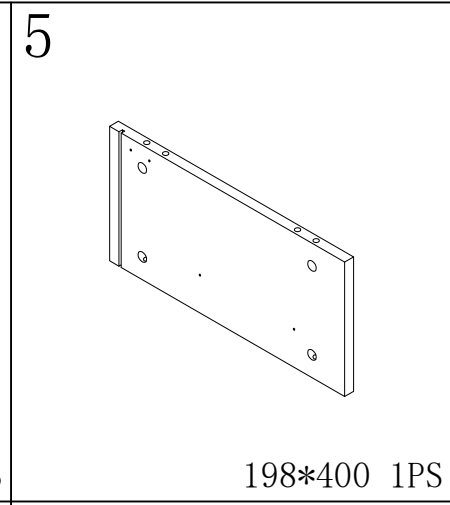
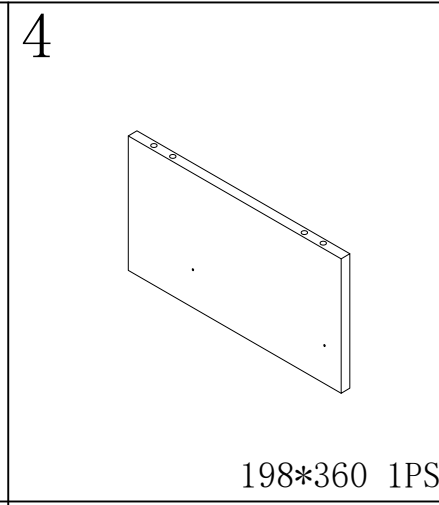
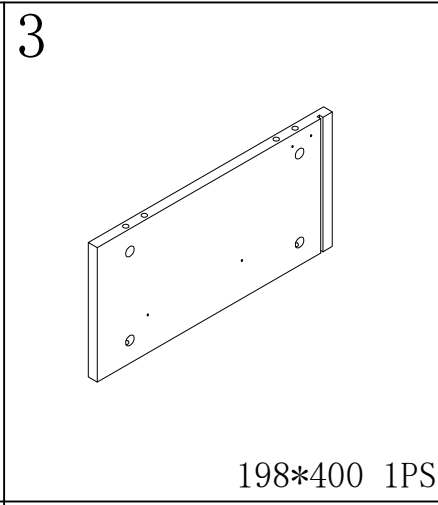
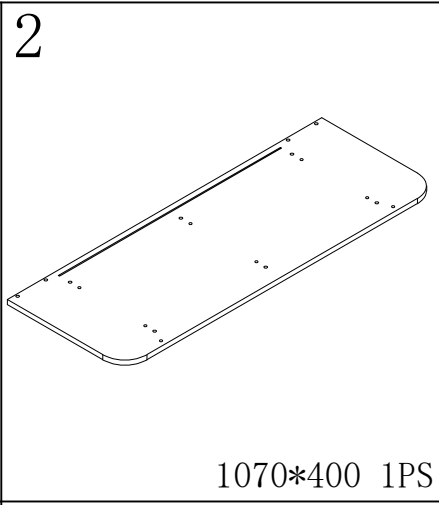
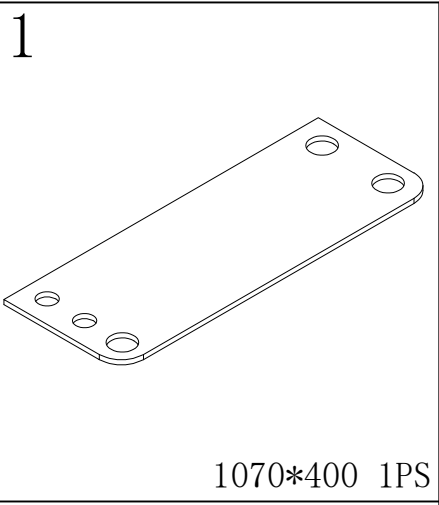


<p><b>A</b></p>  <p>28PCS</p>	<p><b>G</b> 300MM</p>  <p>2PCS</p>	<p><b>M</b> <math>\phi 60</math></p>  <p>2PCS</p>	<p><b>S</b></p>  <p>2PCS</p>
<p><b>B</b></p>  <p>28PCS</p>	<p><b>H</b> 3.5*14</p>  <p>20PCS</p>	<p><b>N</b> <math>\phi 80</math></p>  <p>3PCS</p>	<p><b>T</b></p>  <p>1PCS</p>
<p><b>C</b> 8*40</p>  <p>12PCS</p>	<p><b>I</b> 3.5*25</p>  <p>4PCS</p>	<p><b>O</b></p>  <p>1PCS</p>	<p><b>U</b></p>  <p>1PCS</p>
<p><b>D</b> 300MM</p>  <p>2PCS</p>	<p><b>J</b> 3.5*35</p>  <p>8PCS</p>	<p><b>P</b> 4*50</p>  <p>4PCS</p>	
<p><b>E</b> 300MM</p>  <p>2PCS</p>	<p><b>K</b> 96MM</p>  <p>2PCS</p>	<p><b>Q</b></p>  <p>4PCS</p>	
<p><b>F</b> 300MM</p>  <p>2PCS</p>	<p><b>L</b> 4*18</p>  <p>4PCS</p>	<p><b>R</b></p>  <p>2PCS</p>	

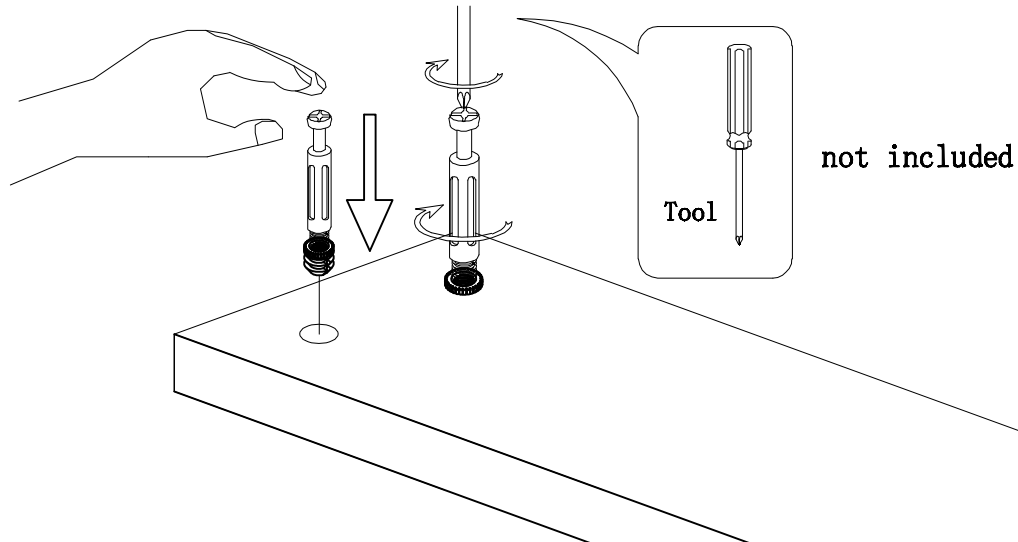




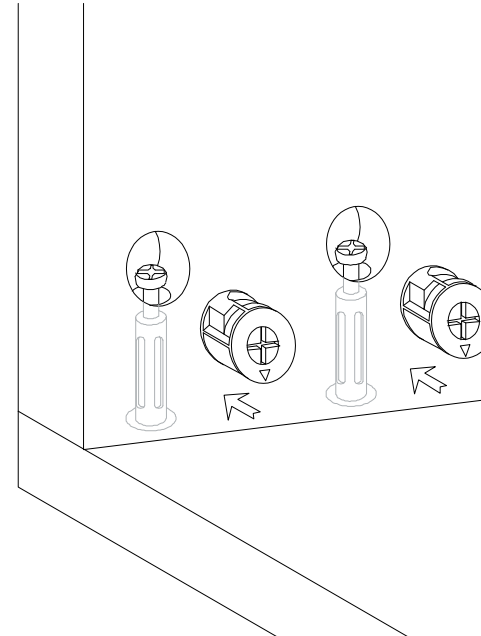
## Hardware installation demonstration

NOTE: Please make sure "A" hardware tightened and can't be pulled out!

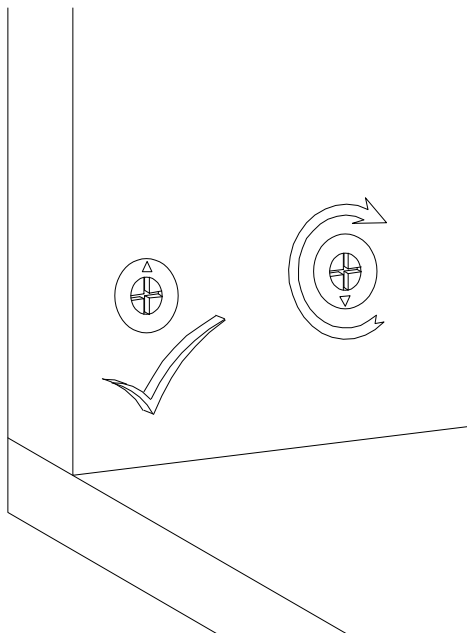
I



II



III

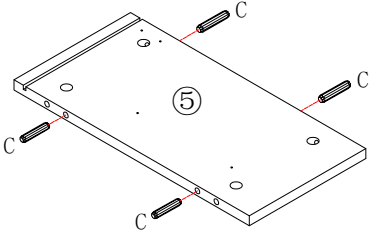
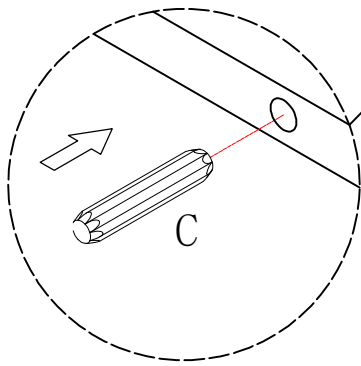
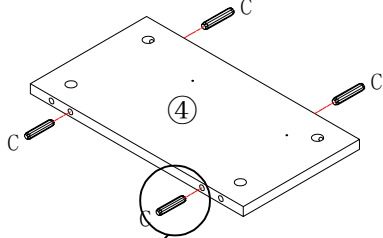
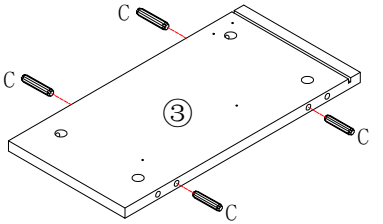
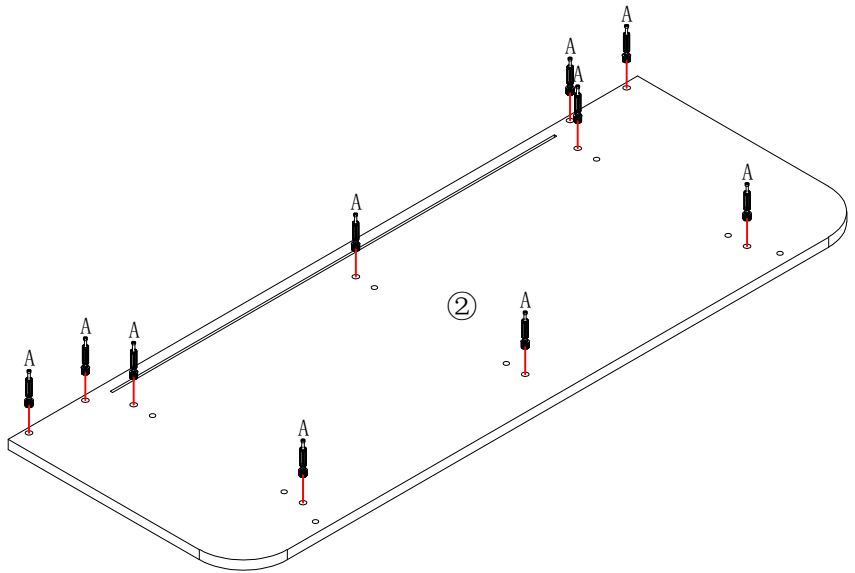
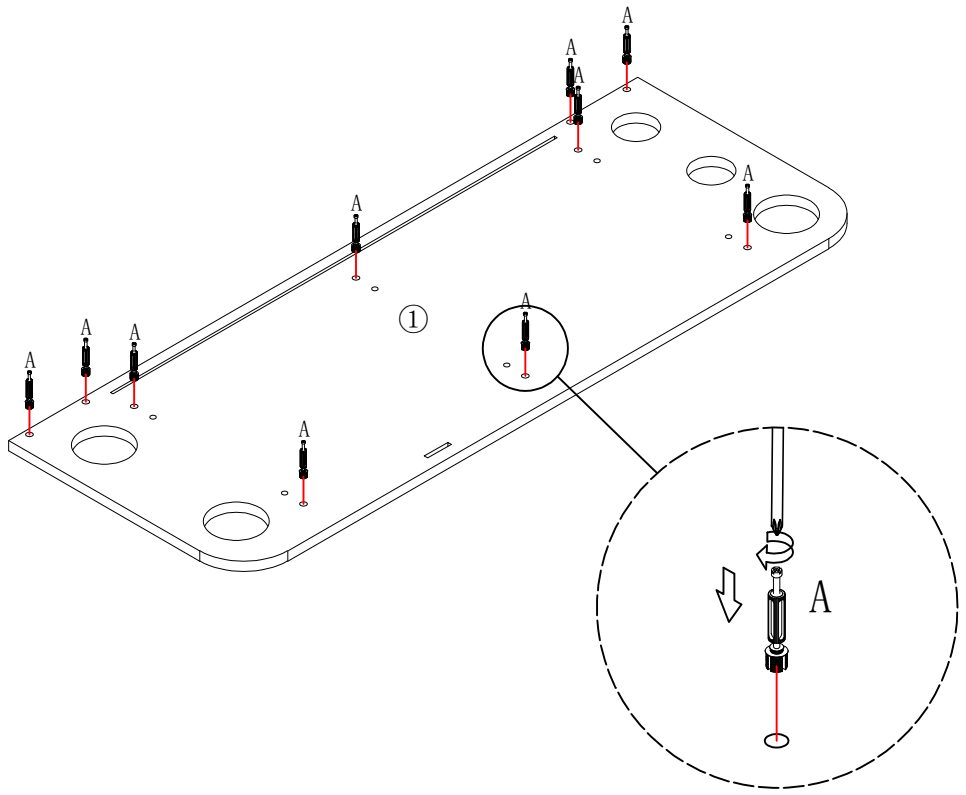



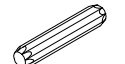
IV



Scan QR code for assembly video

1



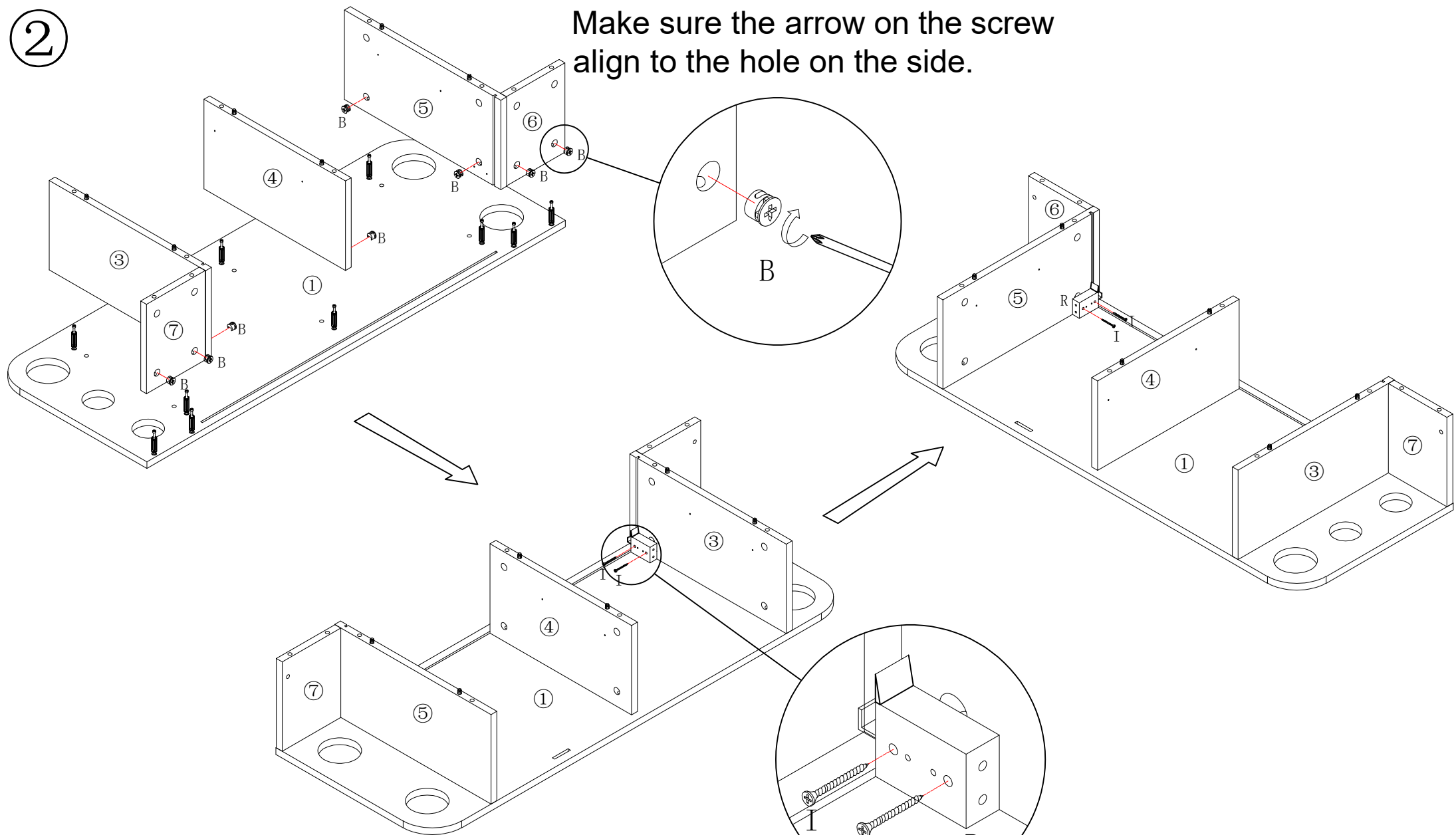
	A*20
	C*12



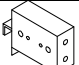
put A on board ①②

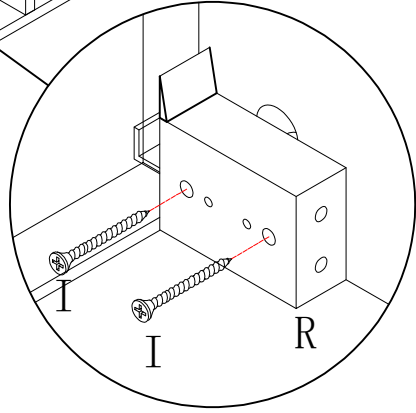
put C on board ③④⑤

2

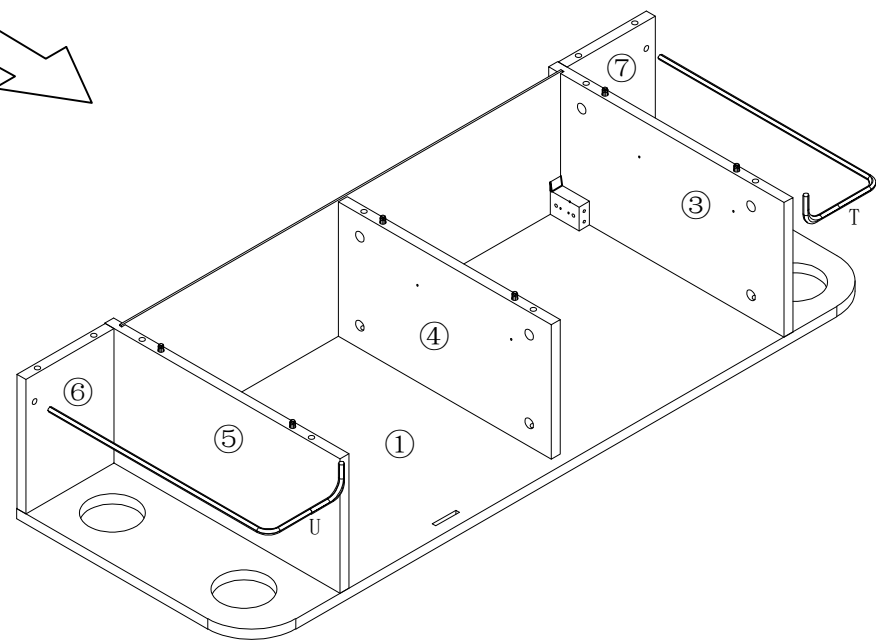
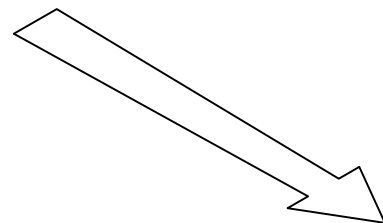
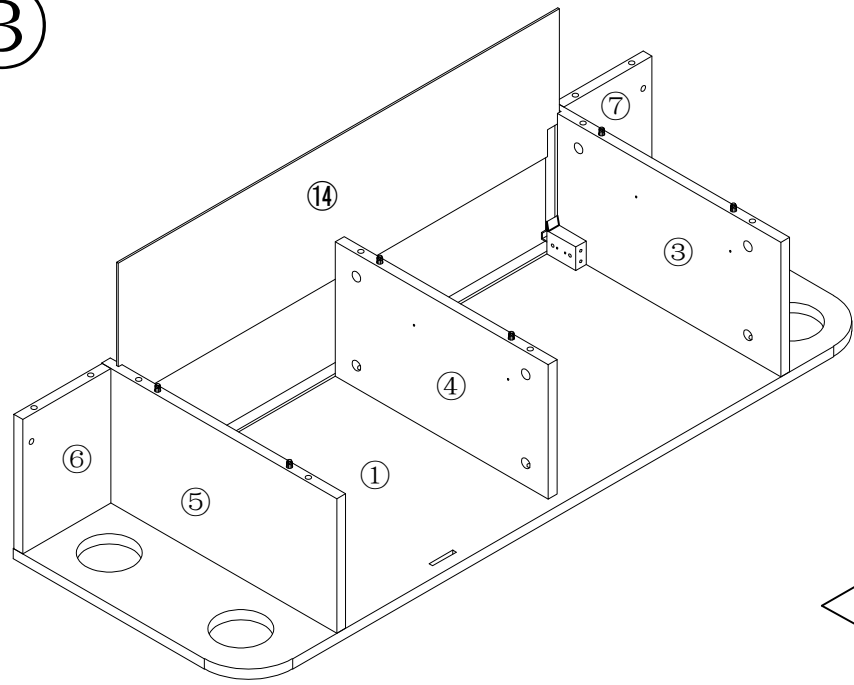
Make sure the arrow on the screw align to the hole on the side.



	B*10 put B on board ③④⑤⑥⑦
	I*4
	R*2

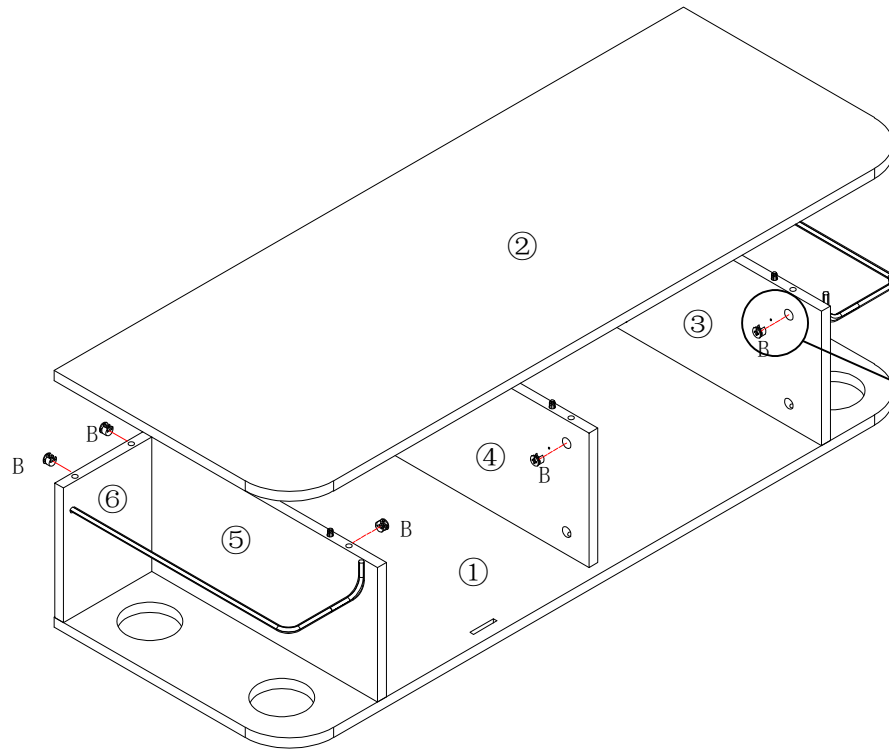


3

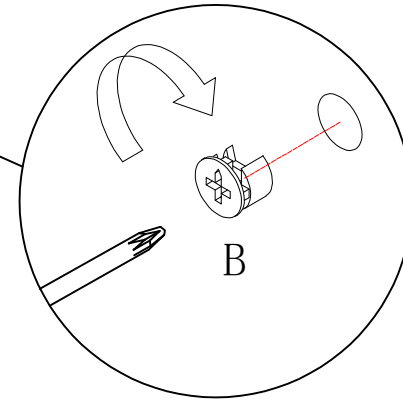


	T*1
	U*1

4



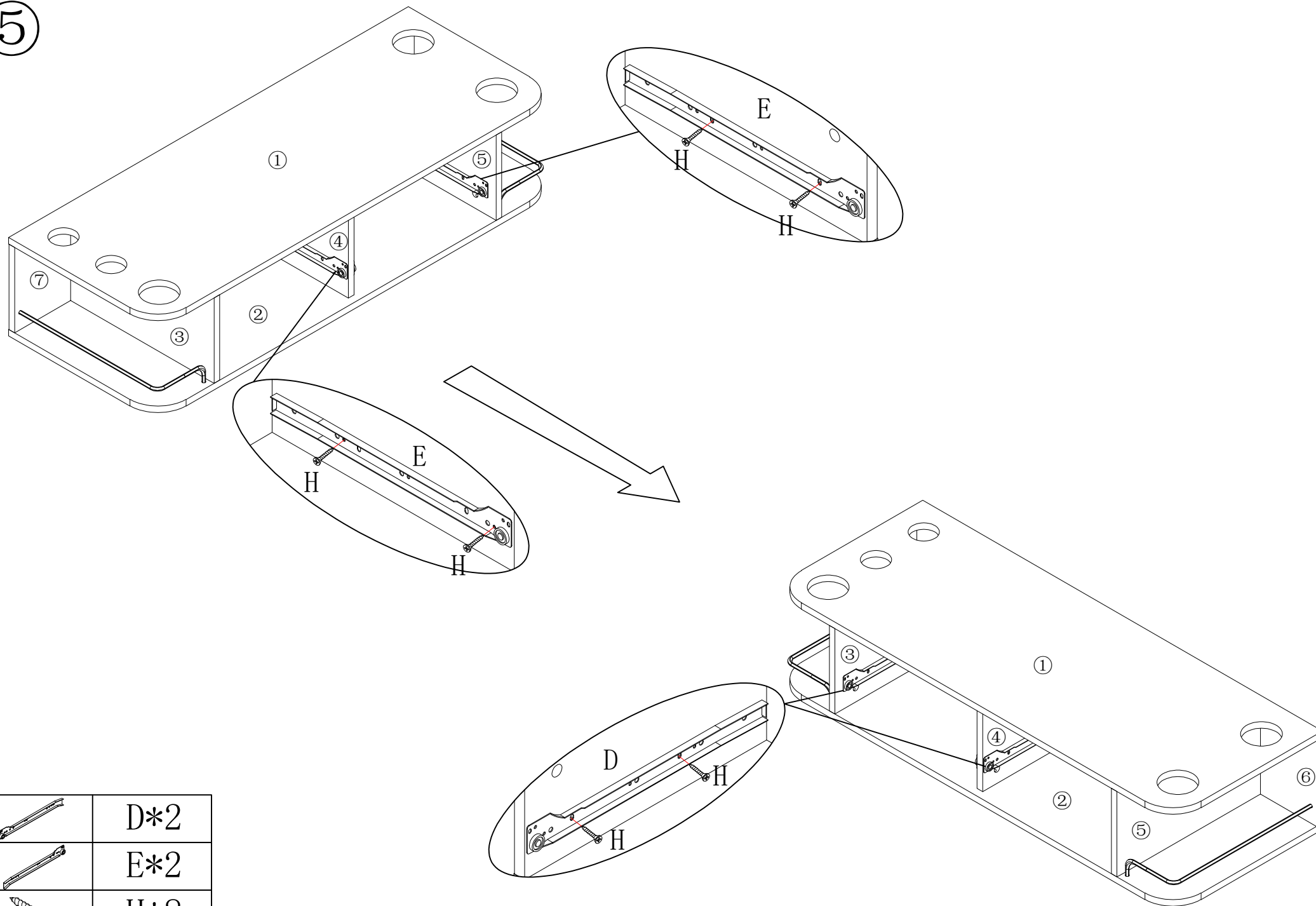
Make sure the arrow on the screw align to the hole on the side.

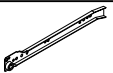




B\*10 put B on board ③④⑤⑥⑦

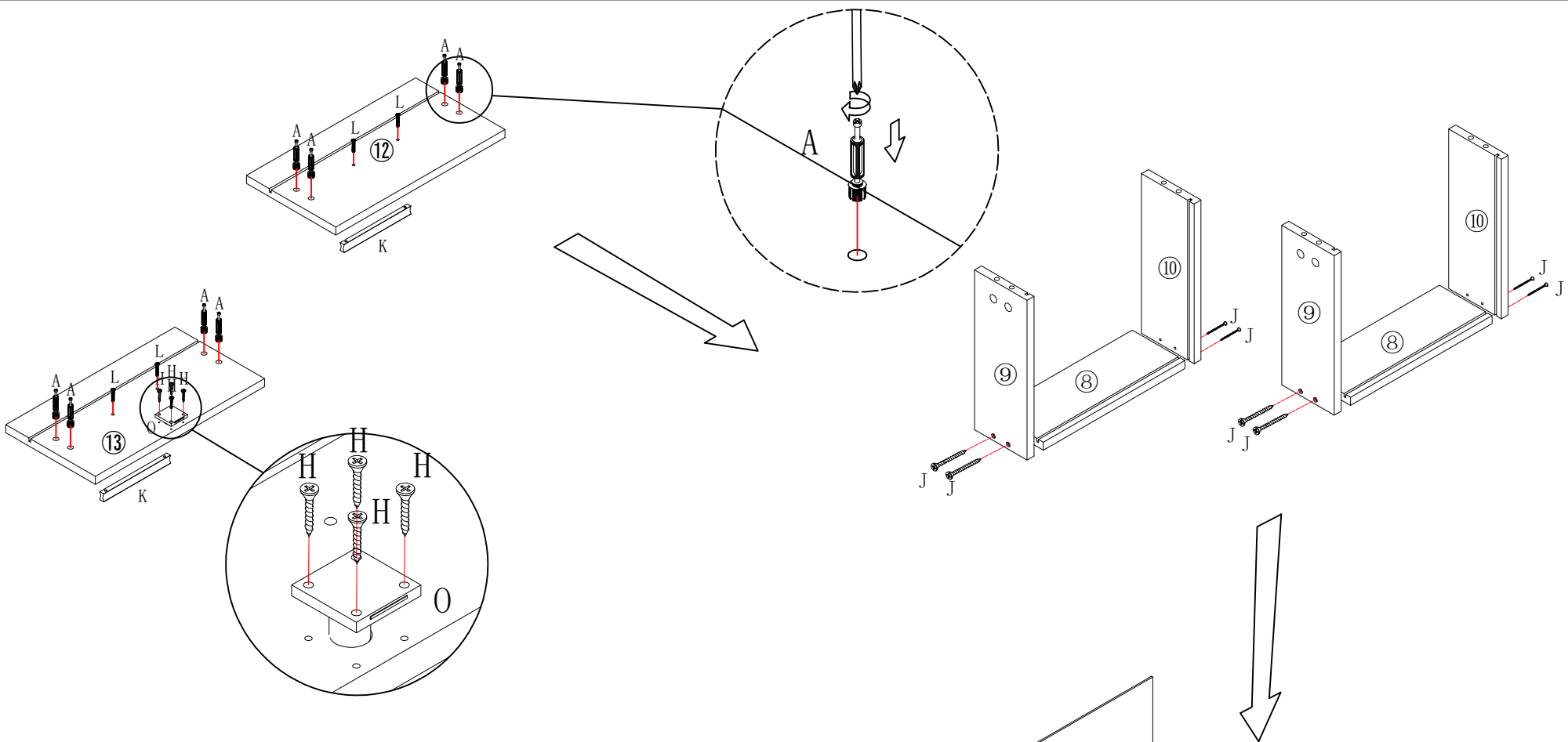


5



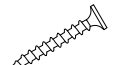


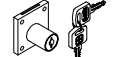


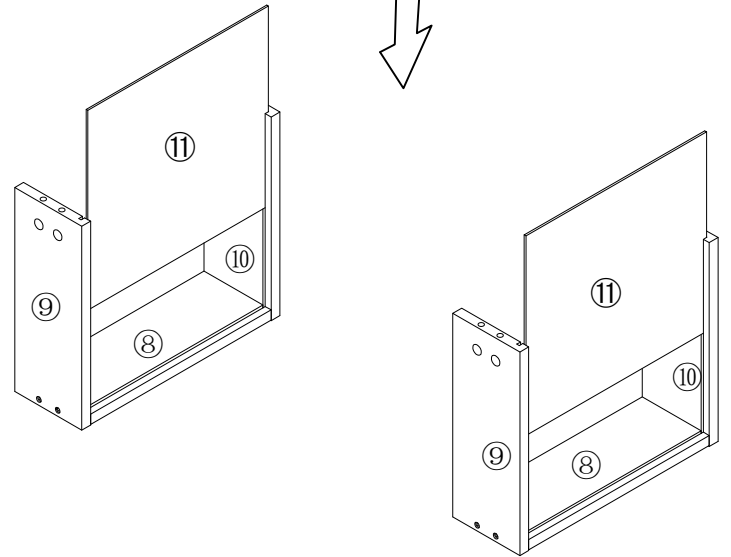
	D*2
	E*2
	H*8

6

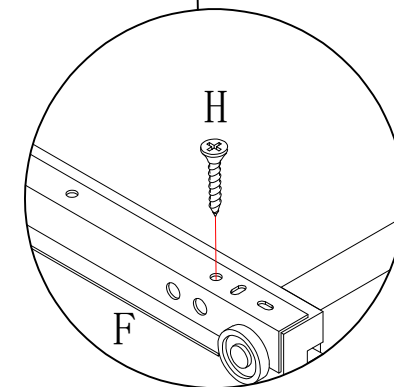
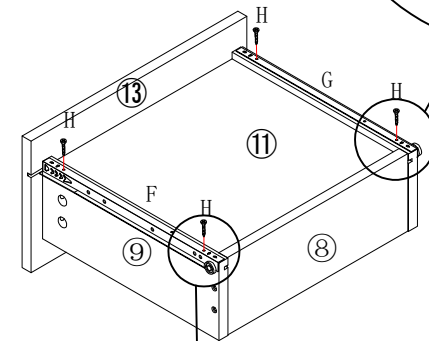
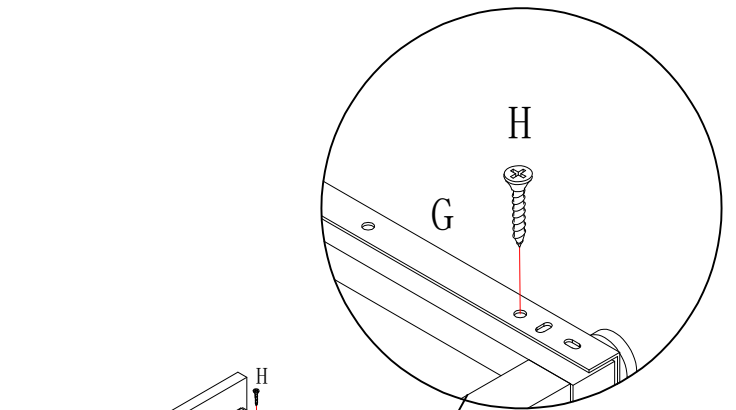
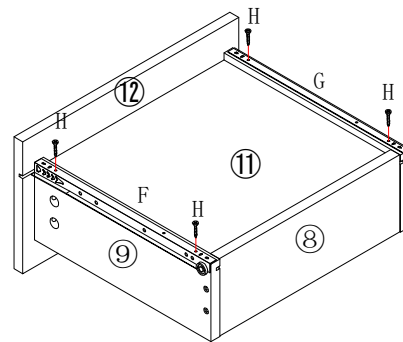
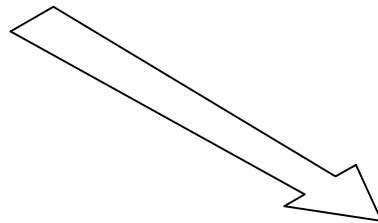
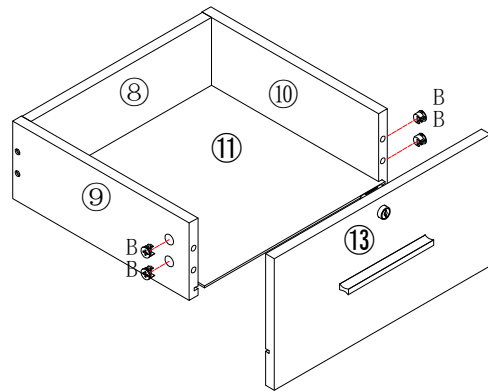
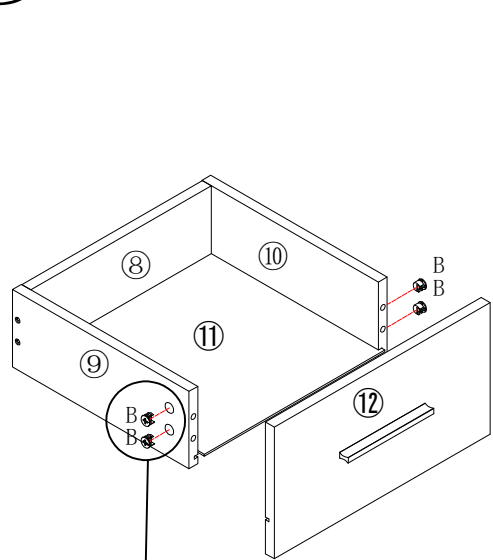


put A on board ⑫⑬


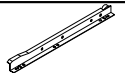
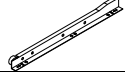

	A*8
	H*4
	J*8
	K*2
	L*4
	O*1



7

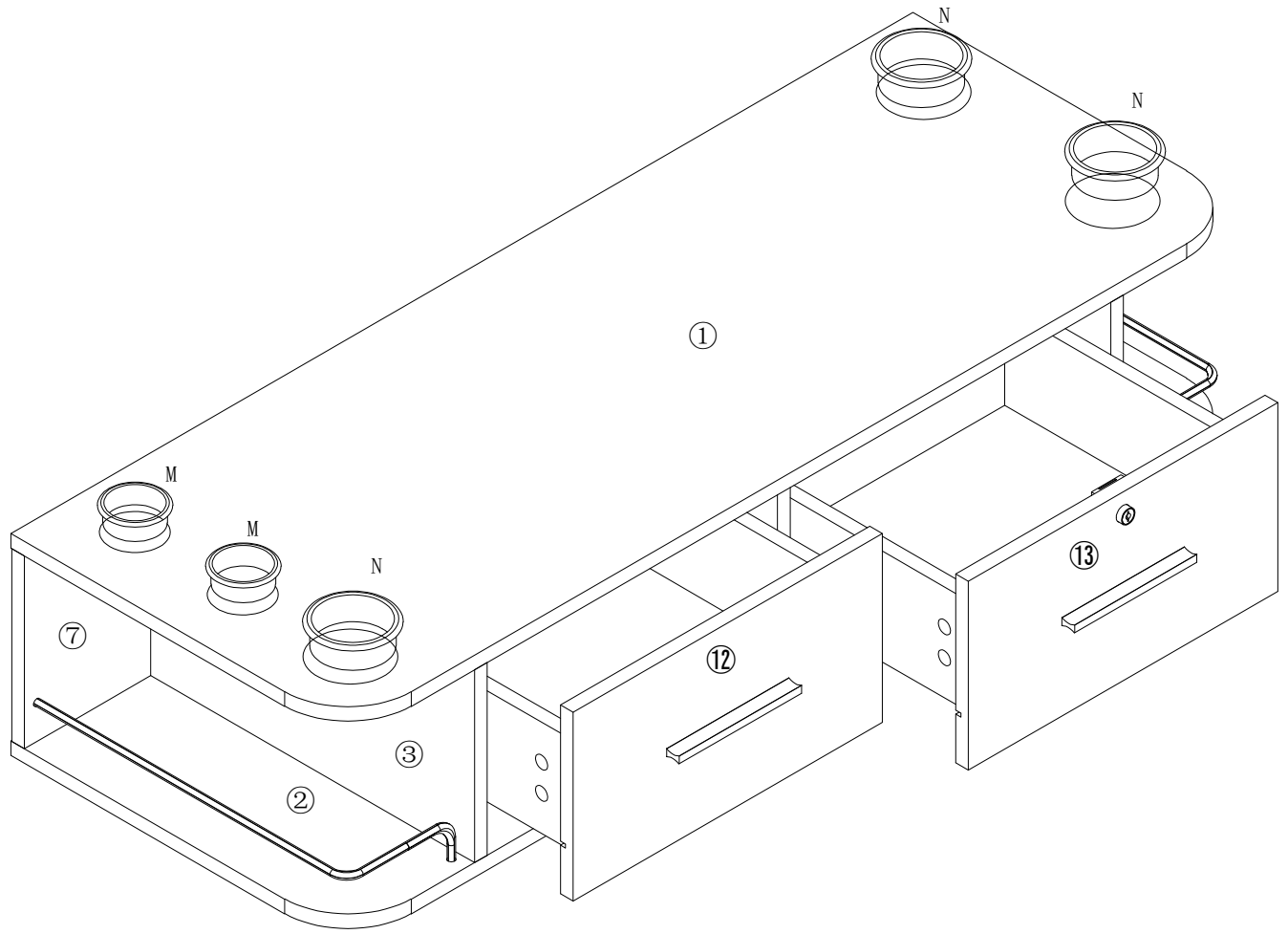




Make sure the arrow on the screw align to the hole on the side.

	B*8
	F*2
	G*2
	H*8

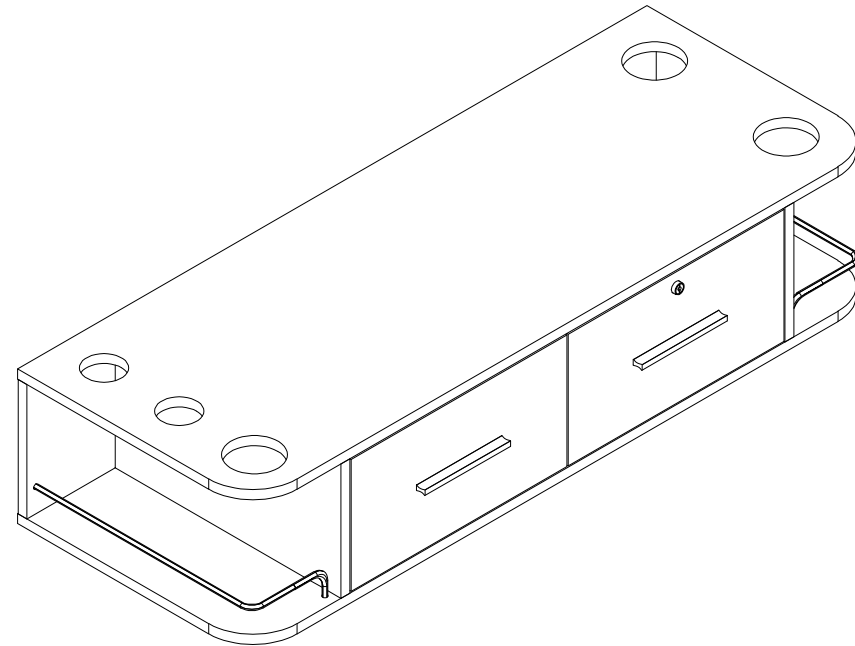
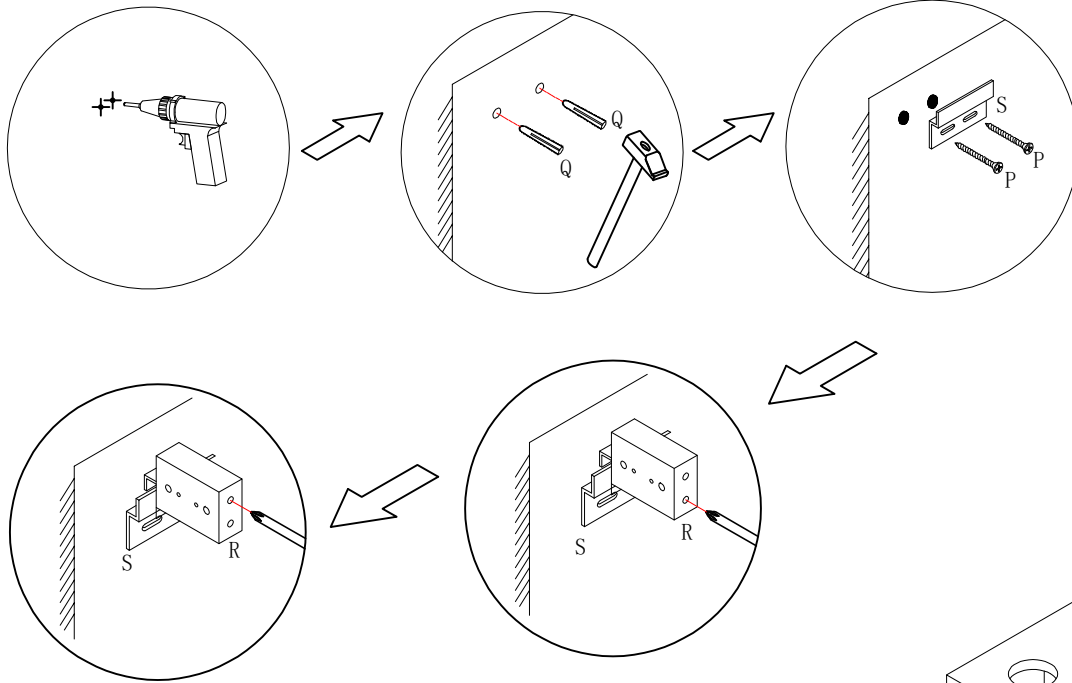
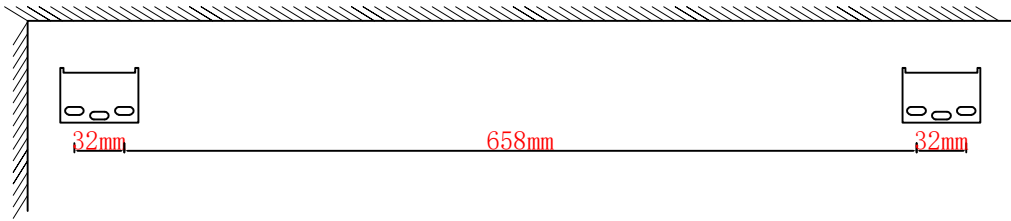
put B on board 9 10

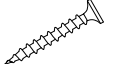
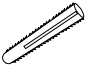
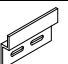
8



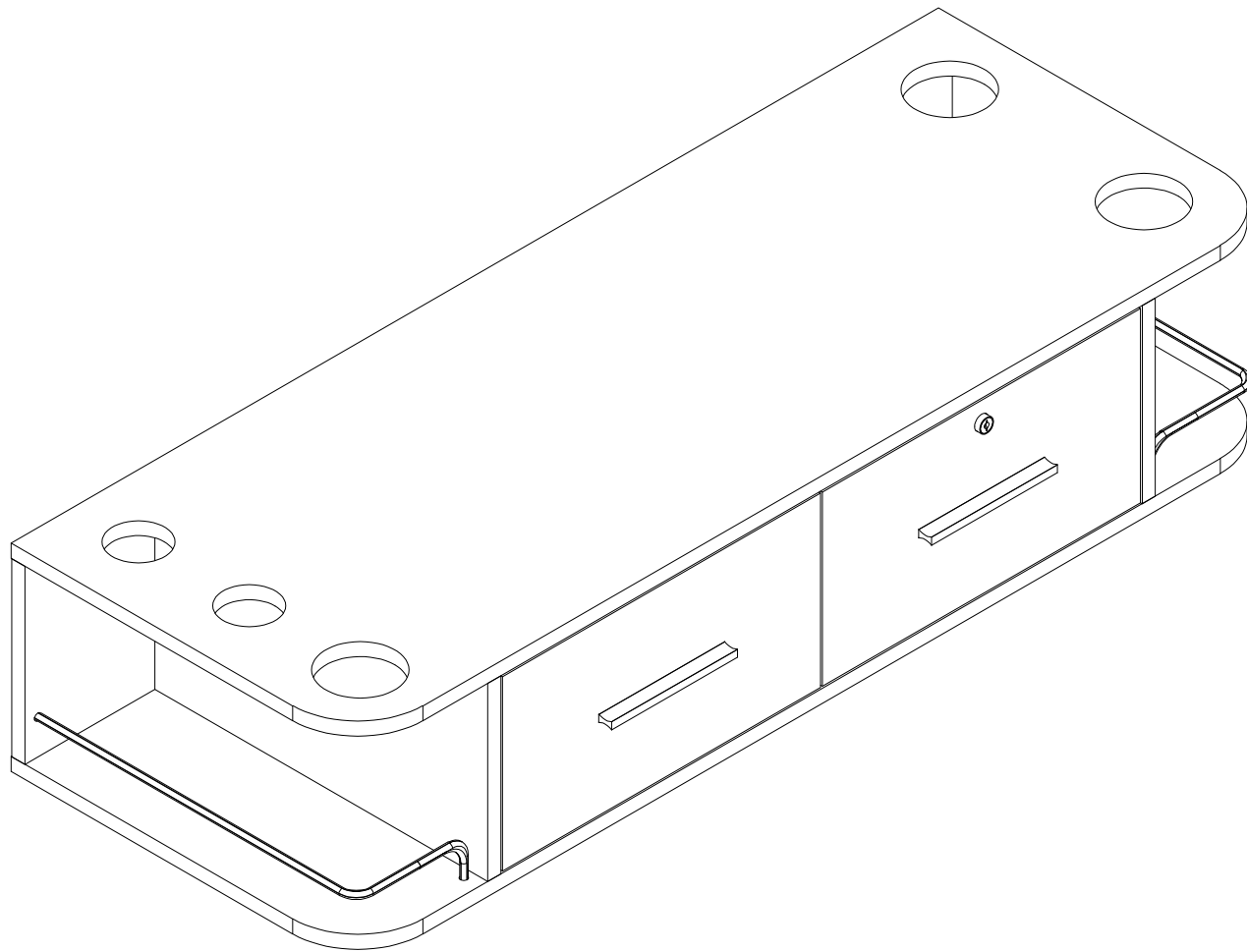
	M*2
	N*3

9



	P*4
	Q*4
	S*2

10



---END---