

# SMK Fan

## With AC and EC TYPE




For Unite State and Canada

SMK Fan are designed to provide efficient and reliable operation for commercial and hydroponic grow industry. Our products are manufactured with state of the art laser, forming, spinning and welding equipment and ensure our quality control testing to ensure trouble free start-up. Our mix fans are including industry leading design features to ensure your ventilation equipment has the latest technologies available.

### Typical application includes:

Very Mix Fan Has Been Test For Three Different Planes Before Package


 Stairwell Pressurization  
  Low noise Industry  
  Hydroponic Grow Farm  
  Agricultural area

Engineers In Guangzhou AoZhong Fan Equipment Co.,LTD Can Assist You In Improving The Operational Efficiency Of The Air Movement In Your System.

### Two types of governor are available:


**1**

**Intelligent Temperature and Humidity Controller**  
Optional WiFi and no WiFi models



**2**

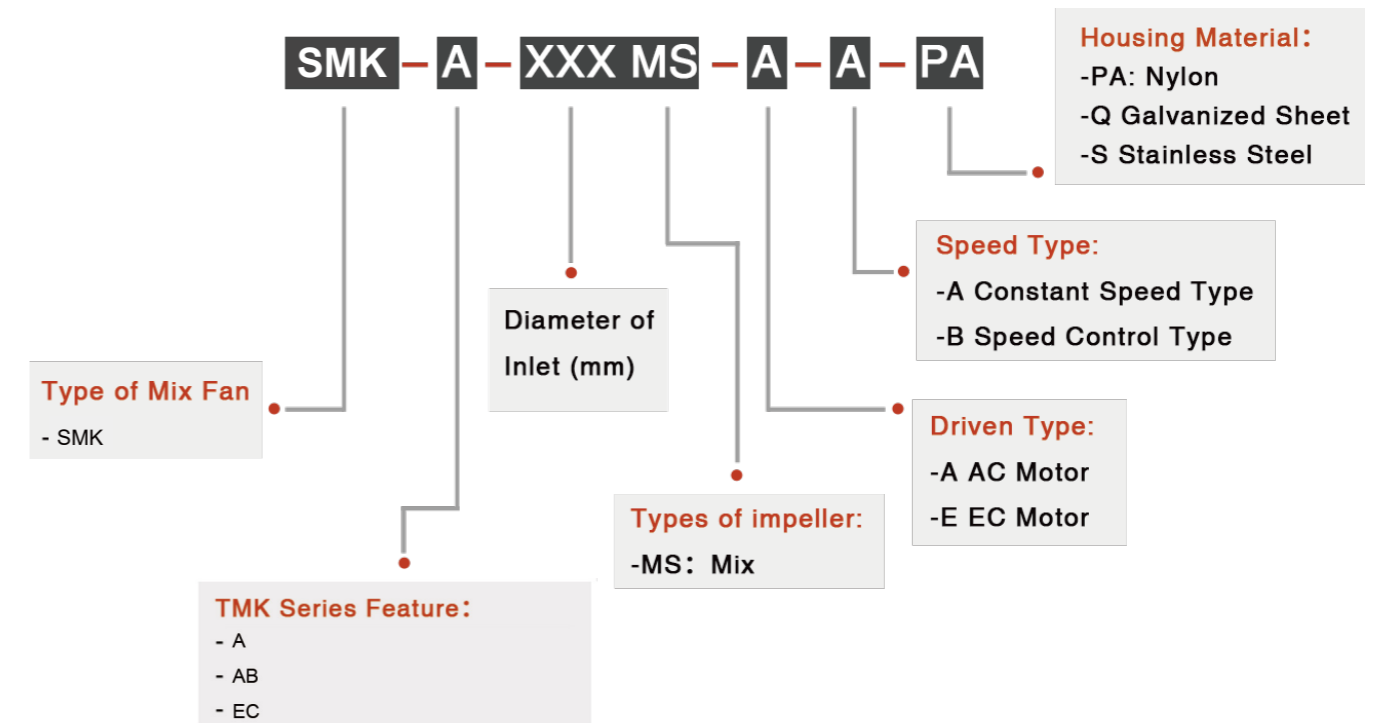
**Variable Speed Controller**  
Customizable sticker color  
Supporting fan sales  
Multi-speed



### Main features with SMK Series

- All mold design construction. Housings are manufactured with Nylon and Steel
- Mix type of impeller with high efficiency
- The fan is compact, so it is easy to installation and repair.
- It is designed for direct connection in line with standard diameter circular ducting.
- EC type is available

### Mixed Fan Model Number Code

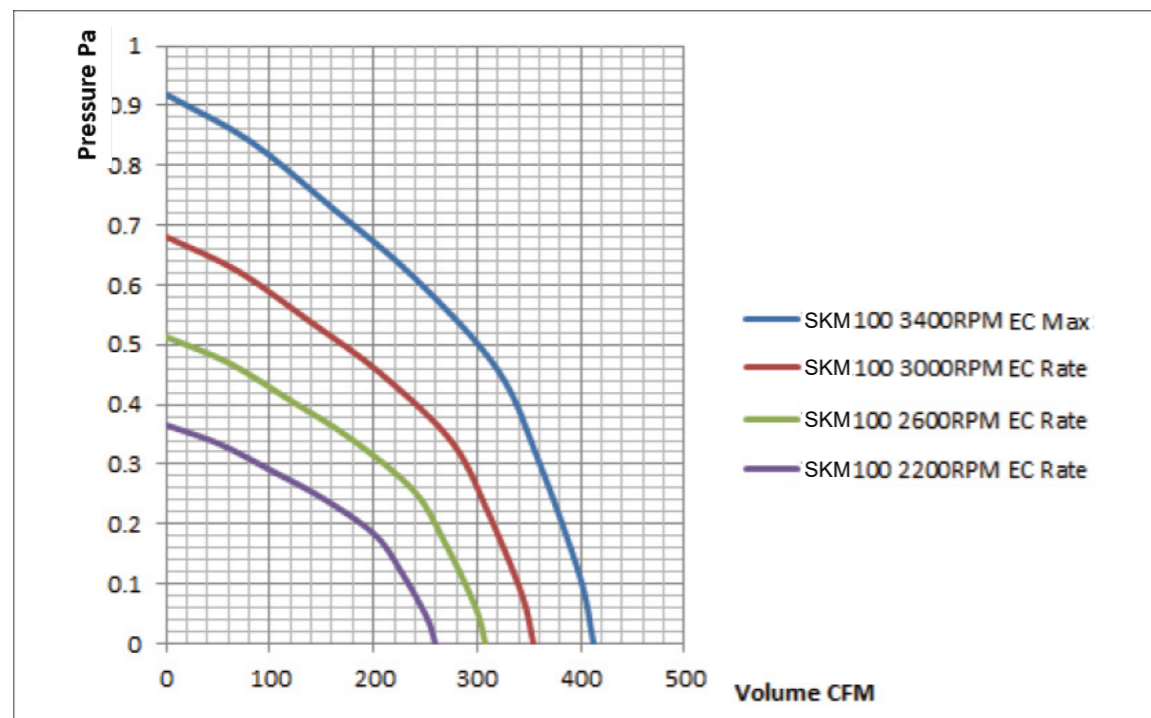
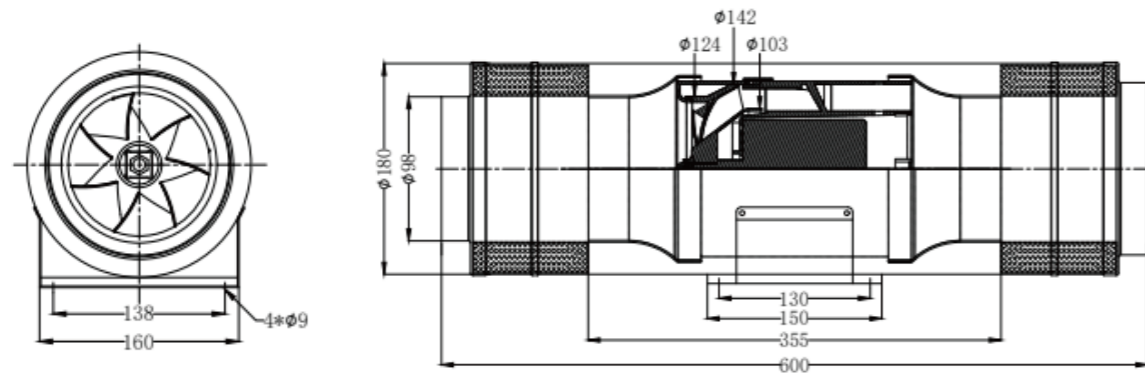


### SMK Series Construction Features

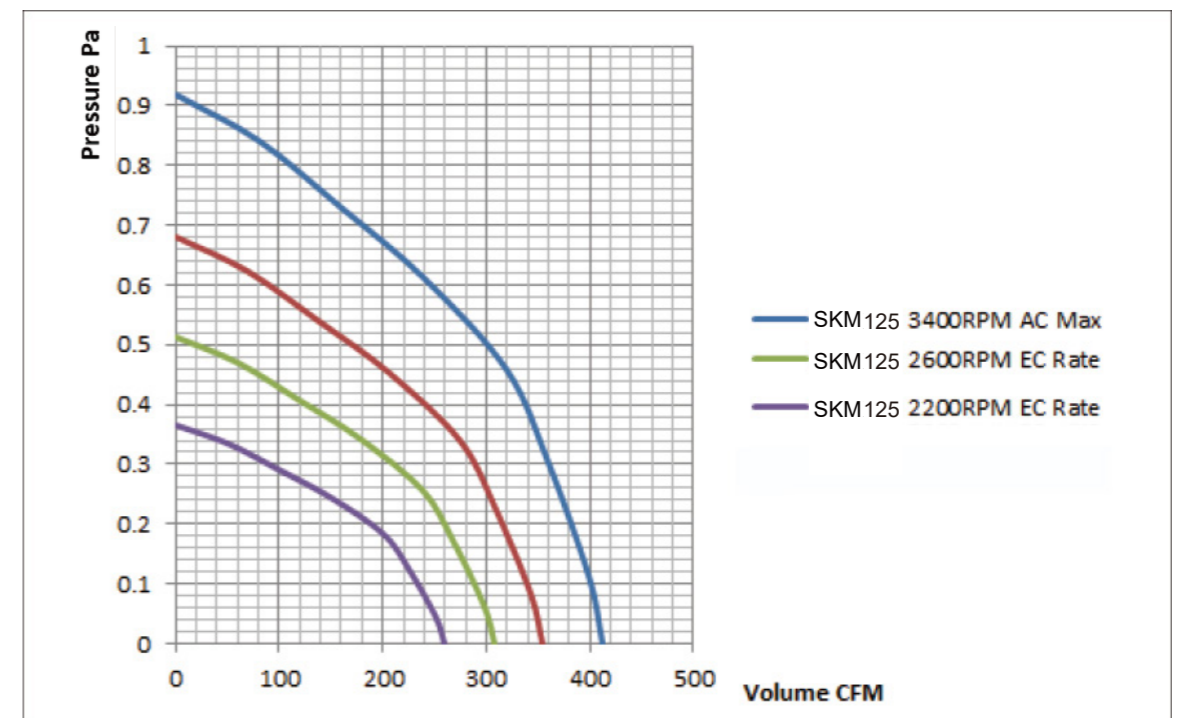
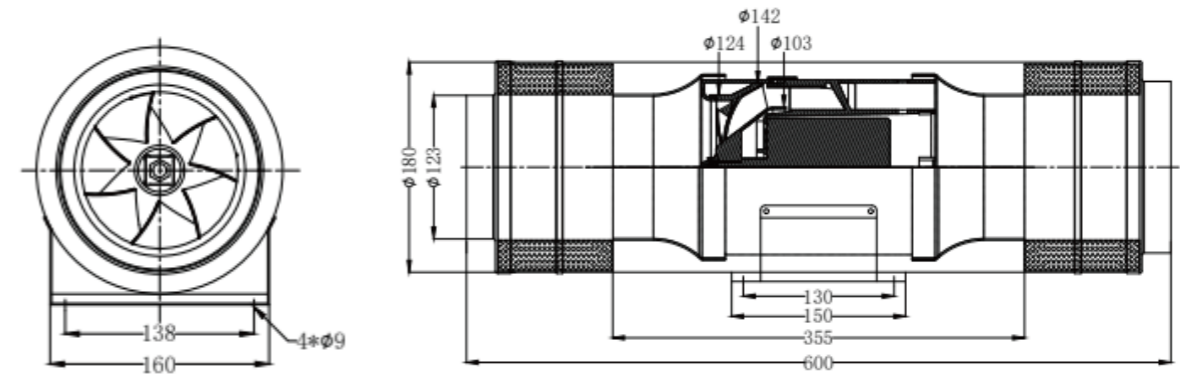
Well matched with the housing. Large air volume, high efficiency and low noise; Core is TMK Series movement; Anti-corrosion and can be used in humidity and high temperature environment;



### SMK100 (4") Silent Fan Dimension and Performance



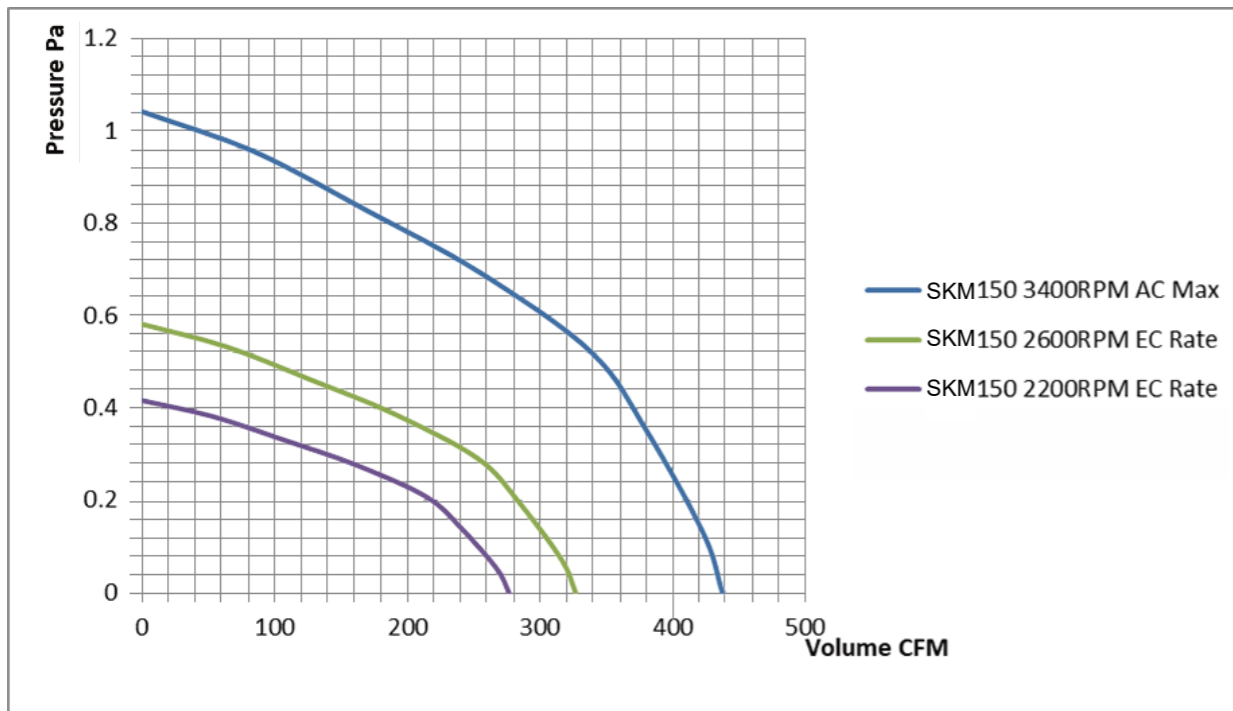
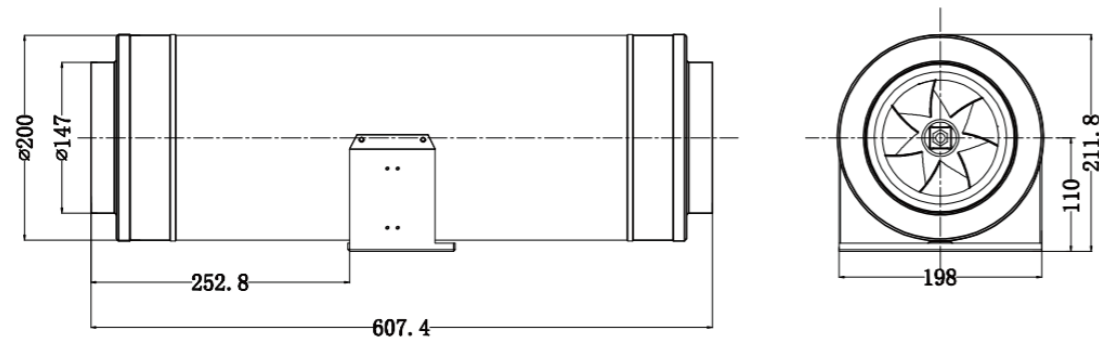
### SMK125 (5") Silent Fan Dimension and Performance



SMK100 Information	100 (4")	100 (4")
	AC Technology	EC Technology
Voltage	110-120v/60Hz	110-120v/60Hz
Working Power	41W	35W
Speed	3350RPM	3350RPM
Noise	51dB	51dB
Working temp	60 °C	60 °C
Maximum Flow Value	405CFM	405CFM
Speed Control Type	Constant Speed	PWM Control Type 0-5V

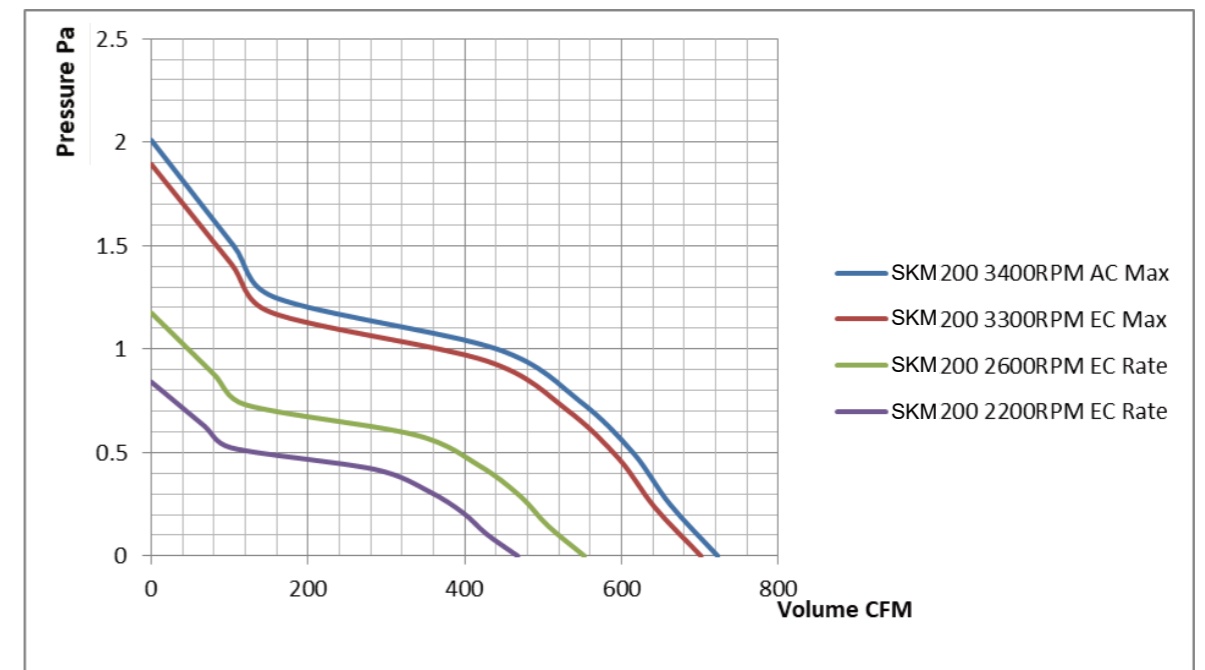
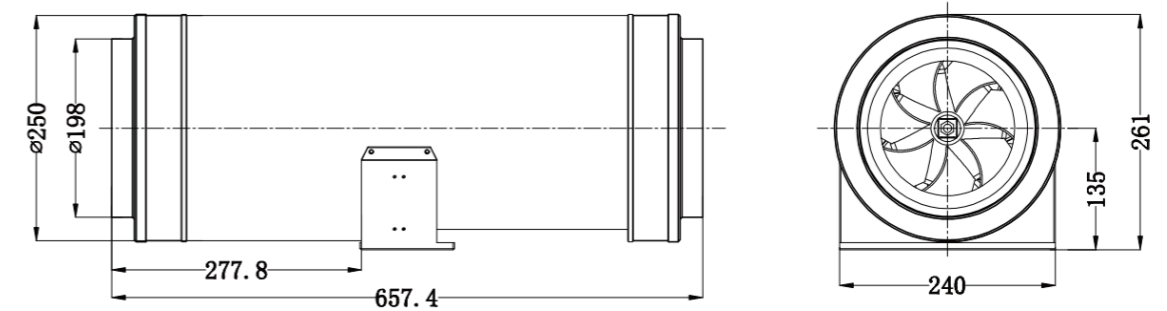
SMK125 Information	125 (5")	125 (5")
	AC Technology	EC Technology
Voltage	110-120v/60Hz	110-120v/60Hz
Working Power	41W	35W
Speed	3350RPM	3350RPM
Noise	51dB	51dB
Working temp	60 °C	60 °C
Maximum Flow Value	365CFM	405CFM
Speed Control Type	Constant Speed	PWM Control Type 0-5V

### SMK150 (6") Silent Fan Dimension and Performance



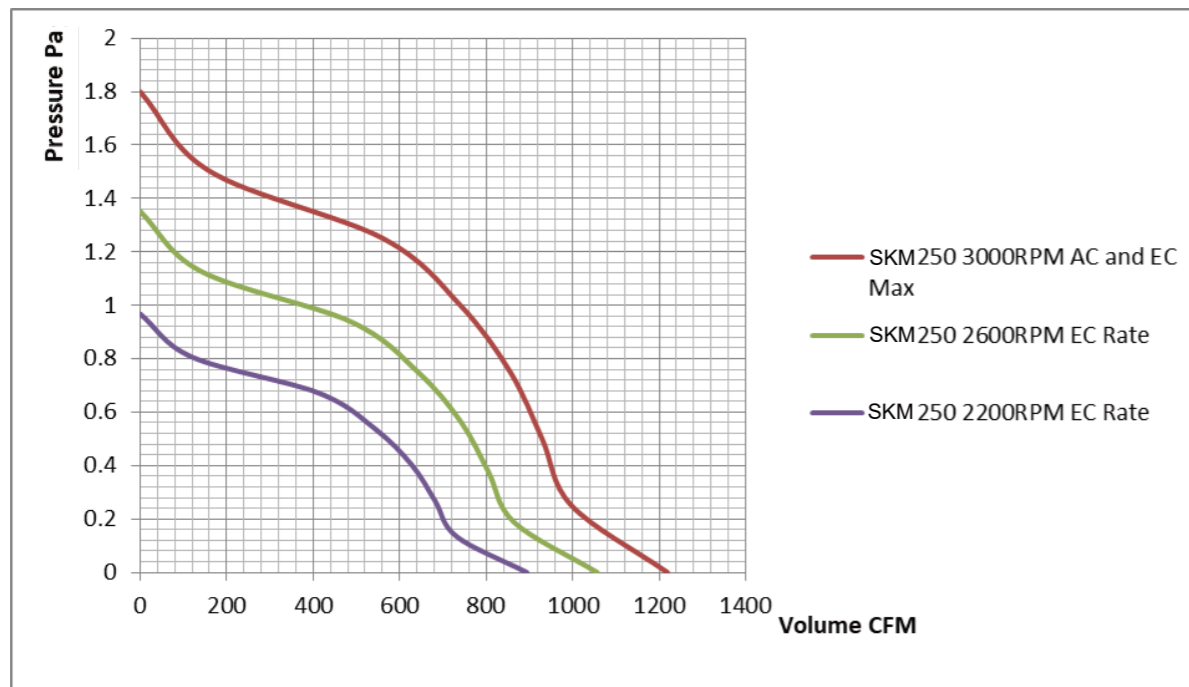
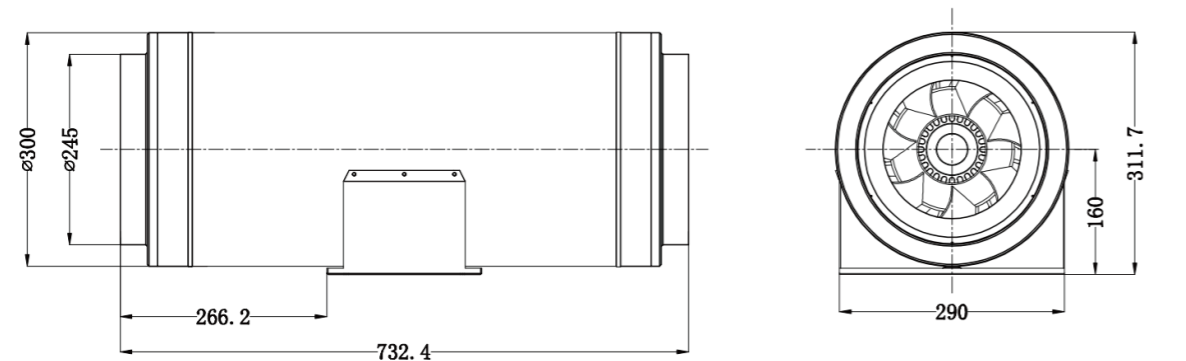
SMK150 Information	150 (6")	150 (6")
	AC Technology	EC Technology
Voltage	110-120v/60Hz	110-120v/60Hz
Working Power	55 W	35W
Speed	3400RPM	3400RPM
Noise	53dB	53dB
Working temp	60 °C	60 °C
Maximum Flow Value	437CFM	437CFM
Speed Control Type	Constant Speed	PWM Control Type 0-5V

### SMK200 (8") Silent Fan Dimension and Performance



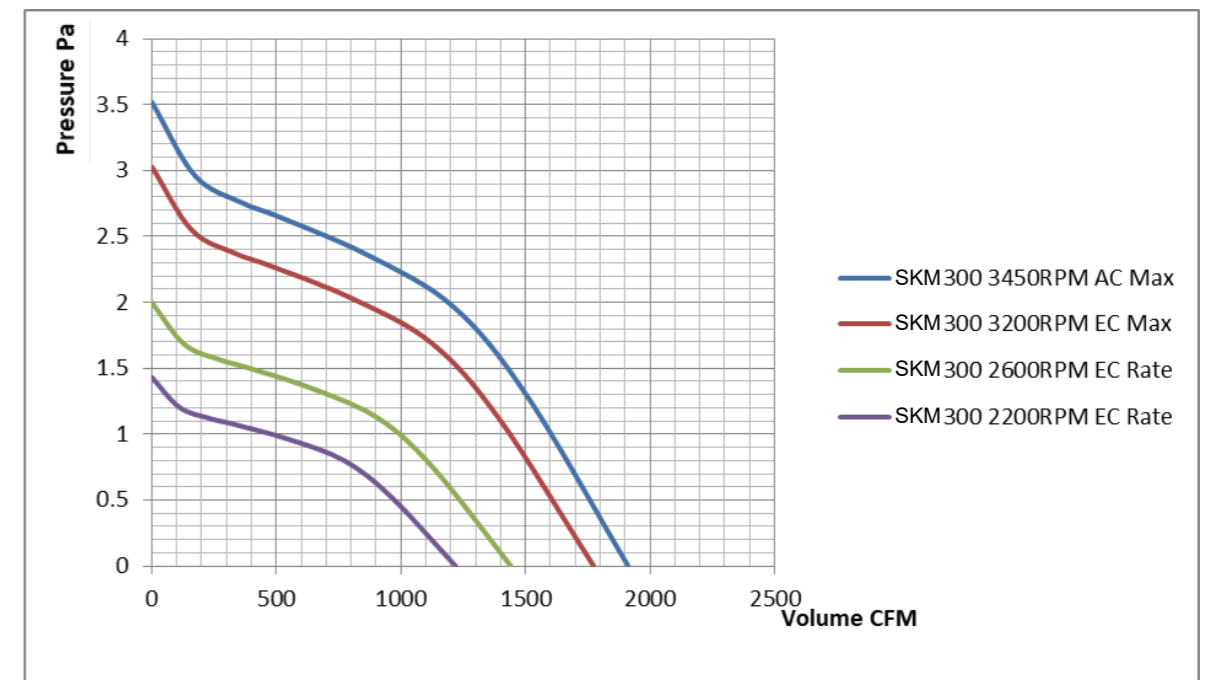
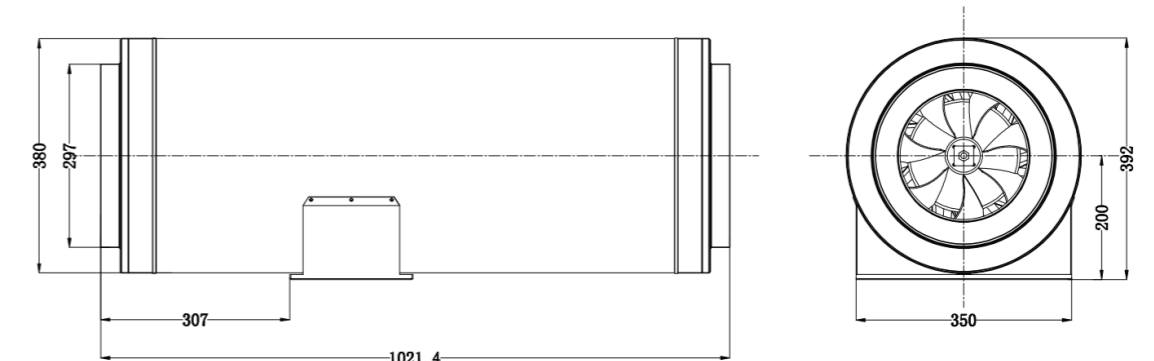
SMK200 Information	200 (8")	200 (8")
	AC Technology	EC Technology
Voltage	110-120v/60Hz	110-120v/60Hz
Working Power	179W	140W
Speed	3400RPM	3300RPM
Noise	61dB	59dB
Working temp	60 °C	60 °C
Maximum Flow Value	720CFM	770CFM
Speed Control Type	Constant Speed	PWM Control Type 0-5V

### SMK250 (10") Silent Fan Dimension and Performance



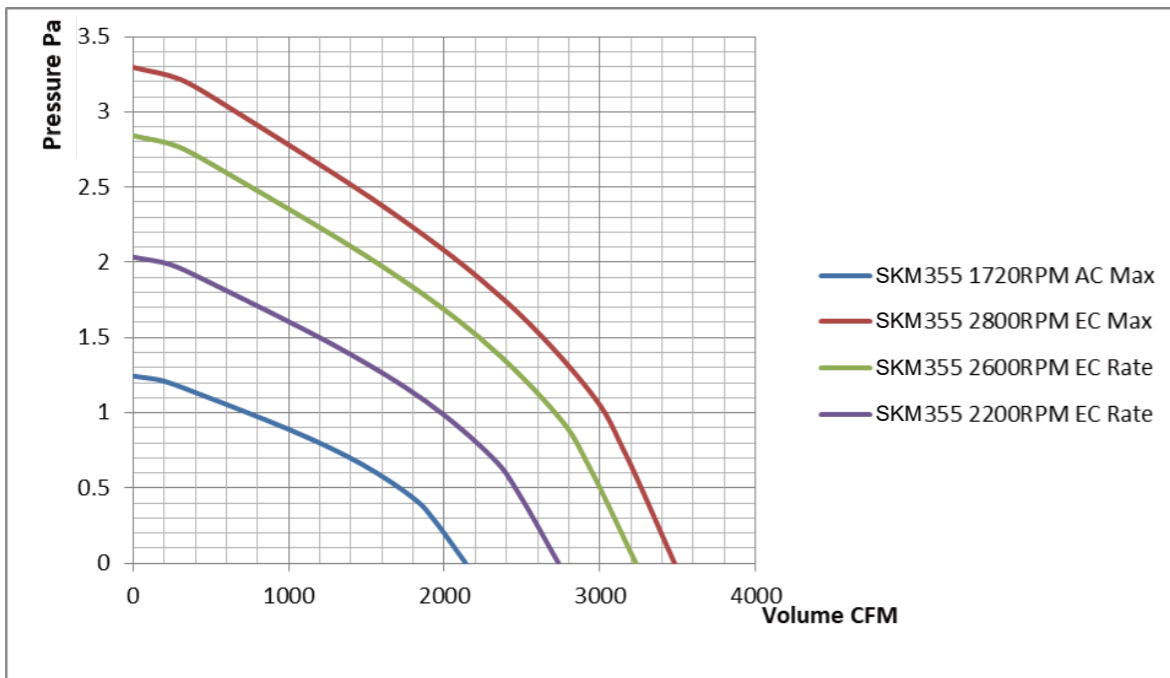
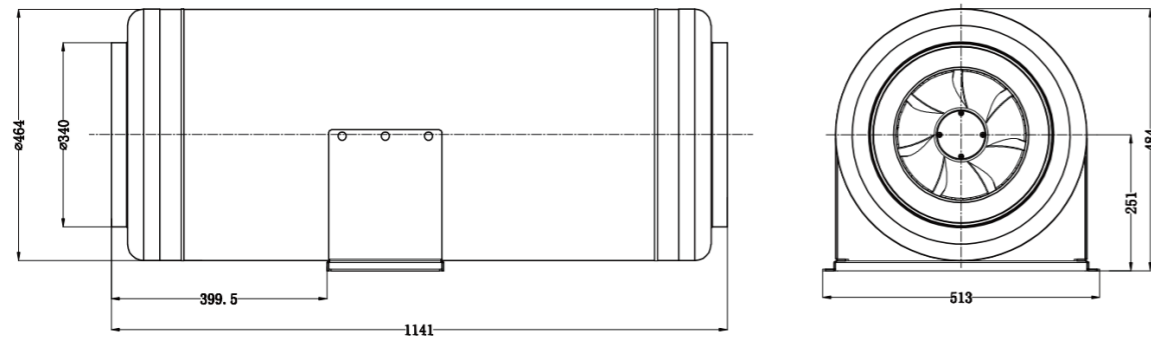
SMK250 Information	250 (10")	250 (10")
	AC Technology	EC Technology
Voltage	110-120v/60Hz	110-120v/60Hz
Working Power	228W	195W
Speed	3000RPM	3000RPM
Noise	62dB	62dB
Working temp	60 °C	60 °C
Maximum Flow Value	1219CFM	1219CFM
Speed Control Type	Constant Speed	PWM Control Type 0-5V

### SMK300(315) (12" or 12.5") Silent Fan Dimension and Performance



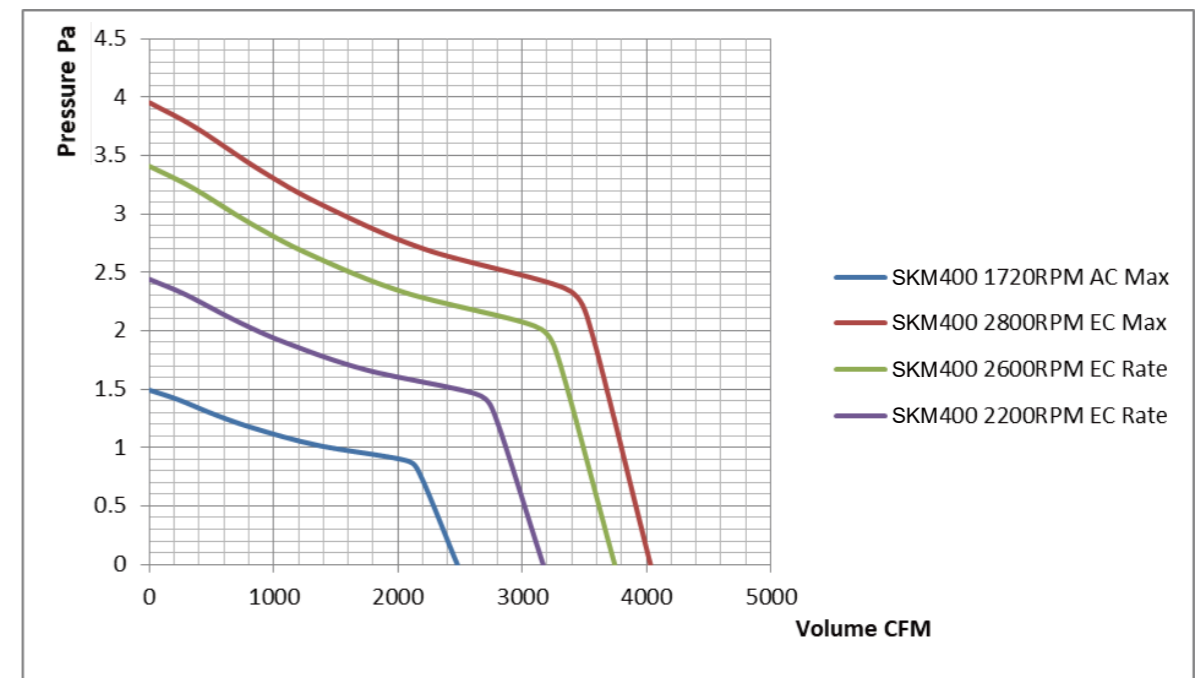
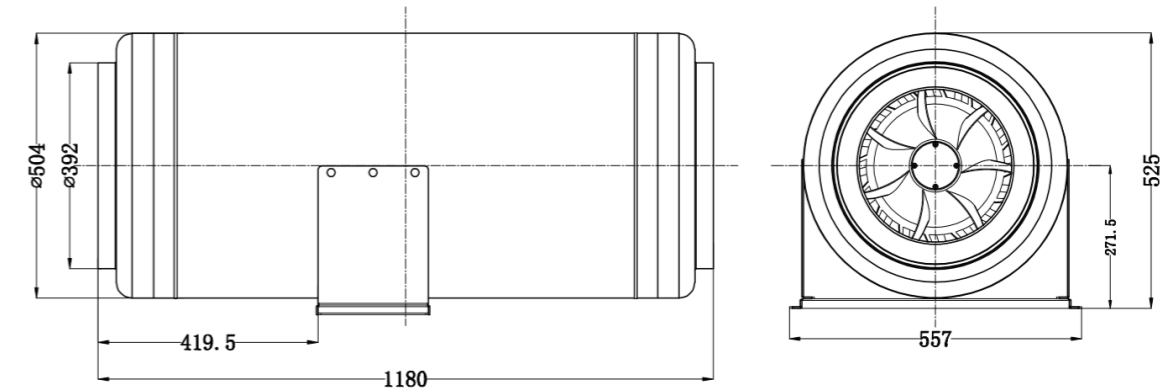
SMK300 Information	300 (12")	300 (12")
	AC Technology	EC Technology
Voltage	110-120v/60Hz	110-120v/60Hz
Working Power	489W	352W
Speed	3450RPM	3200RPM
Noise	71dB	70dB
Working temp	60 °C	60 °C
Maximum Flow Value	1900CFM	1763CFM
Speed Control Type	Constant Speed	PWM Control Type 0-5V

### SMK355 (14") Silent Fan Dimension and Performance



SMK355 Information	355 (14")	355 (14")
	AC Technology	EC Technology
Voltage	110-120v/60Hz	110-120v/60Hz
Working Power	260W	659W
Speed	1720RPM	2800RPM
Noise	63dB	67dB
Working temp	80 °C	80 °C
Maximum Flow Value	2130CFM	3467CFM
Speed Control Type	Constant Speed	PWM Control Type 0-5V

### SMK400 (16") Silent Fan Dimension and Performance



SMK400 Information	400 (16")	400 (16")
	AC Technology	EC Technology
Voltage	110-120v/60Hz	110-120v/60Hz
Working Power	440W	1.2KW
Speed	1780RPM	2800RPM
Noise	66dB	70dB
Working temp	80 °C	80 °C
Maximum Flow Value	2500CFM	4032CFM
Speed Control Type	Constant Speed	PWM Control Type 0-5V

**Usage Description**

1. The Fan Is Mainly Use In Delivering The Clean Air Without The Place That With Easy Burning Materials, Explosive Materials And Powder
2. If The Fan Is Fed With External Rotor Machine And Sealed Ball Bearing. It Is Free Maintenance.
3. If The Fan Install In The Damping And Sobering Area, Continuous Operation Is Required For The Fan.
4. The Fan Can Be Installed In The Outdoor Or Damp Environment With Drainage System.
5. All The Fans Are Feeding With International Standard Motors, Which Are Single Phase 120v, 60hz Or 220v, 50hz And Three Phases 380v, 50hz
6. Installation Is Available In Any Areas

**Installation**

1. Must Be Install According To The Air Flow Marking
2. Must Be Connect To The Piping Or Equip With Safety Accessories
3. Must Be Installing In A Proper Way And Make Sure The Outlet Is Without Any Unusual Materials.
4. Try To Installing The Fan As Easy As For The Maintenance Purpose
5. Fan Required Flanges In Order To Avoid The Piping Damage When Vibrated
6. Speed Controller Or Transformer Is Available To Connect To The Fan
7. Wiring Diagram Is In The Package.
8. Wiring Must Be Strictly Following The Wiring Diagram.
9. Electrical Installation Must Be Done By Professional Technicians.
10. Electrical Installation Must Be Connecting In The Special Control Box.

**Operation**

Before Operation, Please Make Sure

1. The Real Maximum Current Cannot Be Exceed The National Standard Index:+5%.
2. The Voltage Pulsation Is Between +6% ---+10%
3. No Exceptional Noise Produce When Operation.
4. The Rotating Direction For Three Phase Motor Is The Same As The Marking.

**Maintenance**

1. Before Repair Or Maintenance The Fan, Please Make Sure The Fan Is Stop And The Fan Is Not Working In Overload Condition
2. When Disassemble The Larger Fan, Please Care For The Weight To Avoid Blocking And Scratching
3. Cleaning The Fan Once A Year, So That It Can Keep The Function And Avoid The Unnecessary Damage.
4. Ball Bearing Is Free Maintenance Except For The Necessary Updates.
5. When Cleaning The Fan, Please Do Not Use The High Pressure Washer Or Strong Solvent, And Do Not Take Out The Damaging Impeller
6. Make Sure The Fan Is Operating Without Any Noise

**Failure Detection**

1. Make Sure The Fan Is In The Load Condition.
2. Verify The Impeller Is Without Block.
3. Please Do Check With The Heat-variable Switch And Motor Protector. If The Switch Is Not In Connected, Please Do Check It. If Its Need To Restart Makes Sure The Power Supply Is Cut Off In A Few Minutes Until The Rated Current Is Not Higher Than 1.6a. If The Motor Has The Heat Protector, It Will Automatically Reset After Cool Down.
4. Make Sure The Capacitor Is Connected According To The Wiring Diagram.
5. Please Change The Capacitor At The First Time When The Fan Is Not Work.
6. Please Contact The Distributor If The Fan Is Still Not Work
7. When Send Back The Fan To The Distributor, Please Clean It And Make Sure The Cables Are

**Guarantee**

The Guarantee Is Valid Only With The Guideline Of This Manual.  
Noise Level Test Method  
1m/45° Free Zone, Without Connect The Ducting Noise Data

**Company Introduction**

Cks Fan Is China Based Business Owned And Operated By Its Management Team. We Specialize In Air Movement And Have Experience Gained More Than Ten Years Of Operation With Worldwide Predecessors. We Service The Ventilation Equipment Needs Of Customers Ranging From Hvac Through Mining, Manufacturing, Construction, And Agriculture As Well As Retail End Users Include Tianjin And Suzhou Retail Stores. We Build Our Products In State Of The Art Facilities In Guangzhou, Wuhan And Deqing. We Adapt Iso9001quality System To Ensure Our Customers Are Using Best Products.

**Certification:**



**Capabilities And Services**

- |   |  |
|---|--|
| 1 Fan And Blower Design And Manufacture                         | Fully P2ormance Tested Products And Published Data |
| 3 In-house Design Engineering Team                              | Scale Ar4Capacity To Handle Any Size Project       |
| 5 Servicing Overseas Markets With Built Products And Oem Supply | Sal6 And After Sales Support Teams                 |

**Guangzhou AoZhong Fan Equipment Co.,LTD**





Guangzhou

Tel: +86 (020) 87481613

Fax: +86 (020) 87481612

Web: [www.cksfan.net](http://www.cksfan.net)

China

