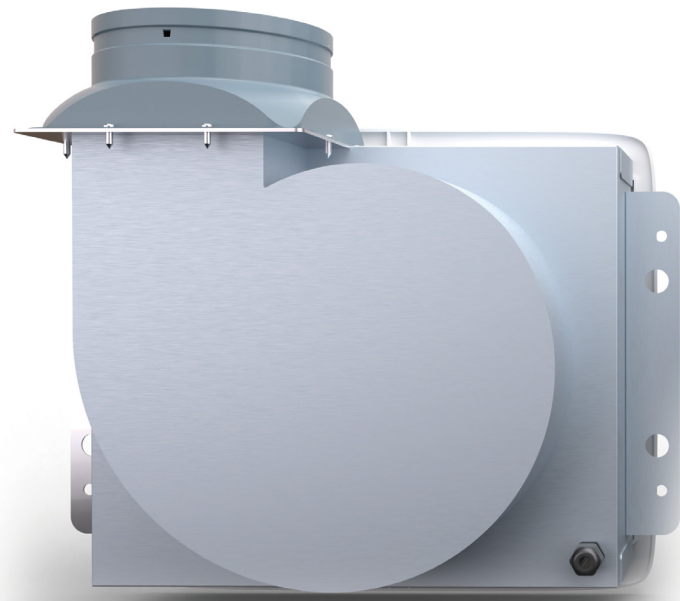


BPS/BPSC Ceiling Exhaust Fan



Cks Fan Is China Based Business Owned And Operated By Its Management Team. We Specialize In Air Movement And Have Experience Gained More Than Ten Years Of Operation With World-wide Predecessors. We Service The Ventilation Equipment Needs Of Customers Ranging From Hvac Through Mining, Manufacturing, Construction, And Agriculture As Well As Retail End Users Include Tianjin And Suzhou Retail Stores. We Build Our Products In State Of The Art Facilities In Guangzhou, Wuhan And Deqing. We Adapt Iso9001quality System To Ensure Our Customers Are Using Best Products.

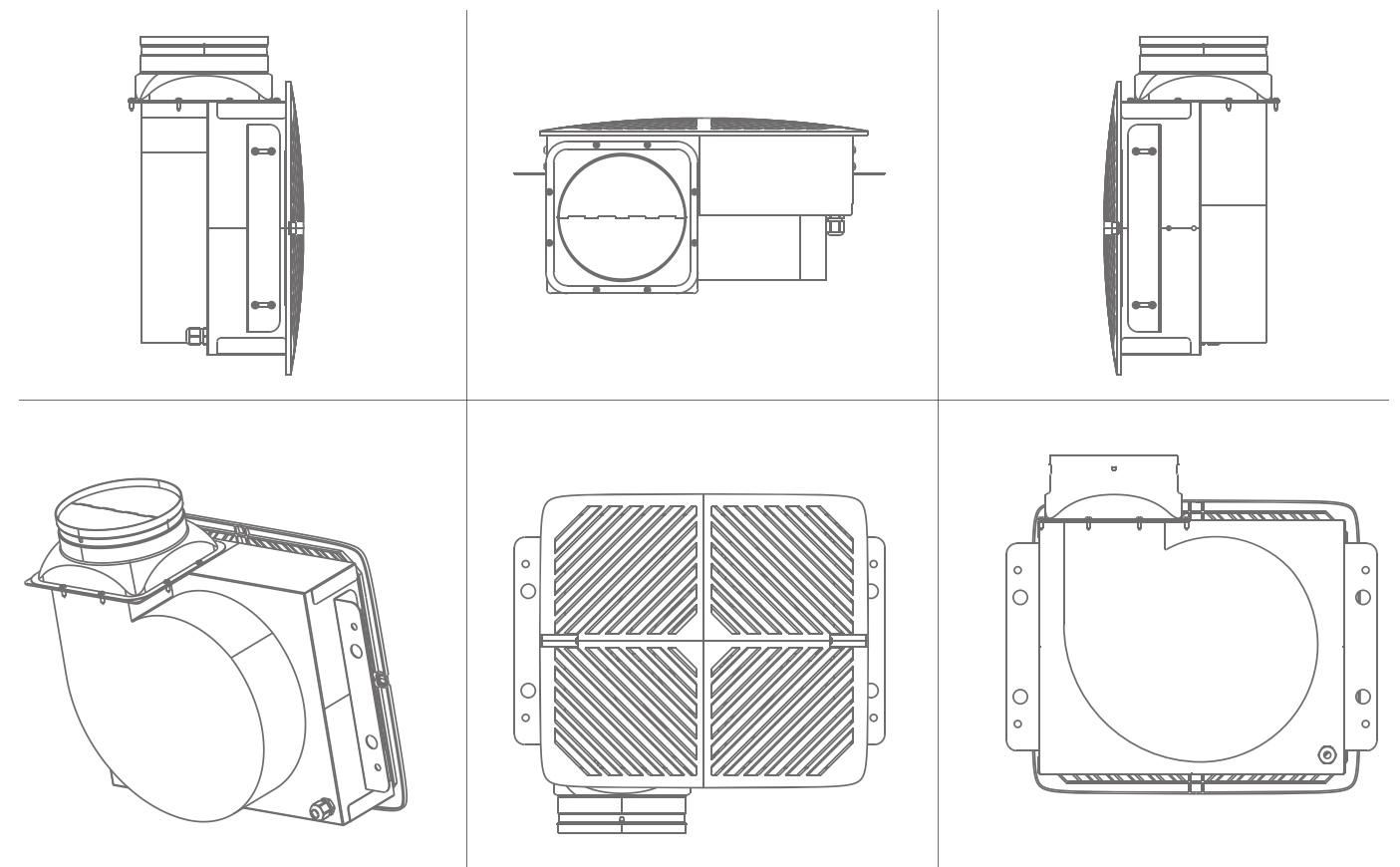


Centrifugal Ceiling Exhaust Benefits

- Industry-leading sound levels
- Compact size
- Wide range of performance
- Helps maintain acceptable indoor air quality

Model Specifications

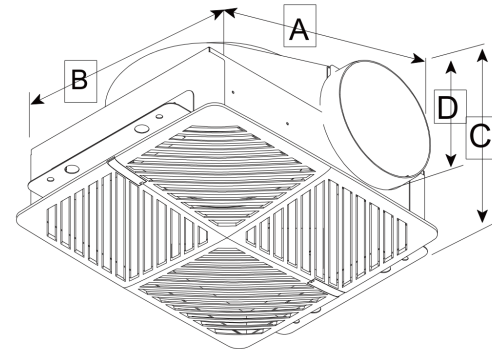
Ceiling-mounted exhaust fans shall be of the centrifugal direct drive type. The fan housing shall be constructed of galvanized steel. The polypropylene duct collar shall be 6 inches (152 mm) in diameter and shall include a backdraft damper. The grille shall be constructed of non-yellowing high-impact polystyrene and attached to the housing with hidden attachment screws. The access for wiring shall be internal. The motor disconnect shall be internal and of the plug-in type. The motor shall be mounted on vibration isolators. The fan wheel shall be of the forward-curved centrifugal type, constructed of calcium carbonate filled polypropylene and dynamically balanced.



*Dimensions and parametric data are subject to change without notice.

Model BPS

Model BPS Dimensions							
Model	A	B	C	D	E	Grille	Unit Weight
50, 70	13 7/8 (352)	11 1/2 (292)	7 (179)	6 (152)	1 1/4 (32)	14 7/8 x 13 1/4 (378 x 337)	9 (4)
110, 150, 200	13 7/8 (352)	11 1/2 (292)	7 (179)	6 (152)	1 1/4 (32)		10 (5)



All dimensions are in inches (millimeters) and weight in pounds (kilograms). Mounting bracket width is 11/2 in. (38 mm).

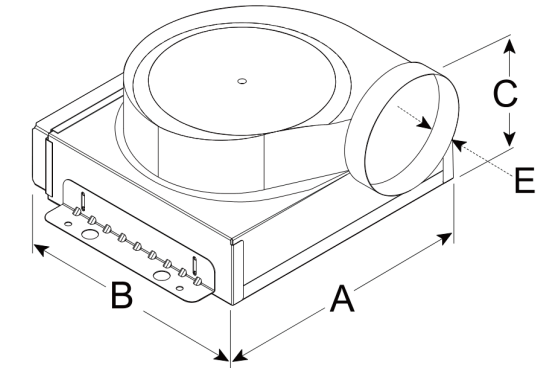
Continuous Ventilation Compatible: Low speed continuous operation is adjustable from 30 cfm to full rated fan speed. *Amp and Watt draw is approximate and may vary based on motor manufacturer. Below performance is for 115V.

Model	RPM	Amps	Watts	CFM/Static Pressure in inches wg											
				0	0.1	0.125	0.25	0.375	0.5	0.625	0.75	0.875	1		
BPS50	625	0.5	10	CFM	70	54	51	40	29						
				Sones	1.2	1.4	1.4	2	3						
BPS70	675	0.53	20	CFM	90	71	68	57	49	39					
				Sones	1.2	1.4	1.4	2	2.5	3					
BPS110	950	1.14	36	CFM	133	114	110	97	95	94	91	85	72	50	
				Sones	1.5	1.5	1.5	2	2	2	3	3.5	4	4.5	
BPS150	1050	1.7	63	CFM	160	156	155	154	152	149	147	138	123	92	
				Sones	2.5	2.5	2.2	3	3.5	3.5	4	4.5	4.5	5	
BPS200	1300	2.2	82	CFM	208	195	194	191	187	184	181	166	151	128	
				Sones	3.5	4	4	4.5	4.5	5	5	5.5	5.5	5.5	

Performance certified is for model BPS exhaust for installation type B: Free inlet, Ducted outlet. Performance ratings include the effects of an inlet grille and backdraft damper. Speed (rpm) shown is nominal. Performance is based on actual speed of test.

Model BPSC

Model BPSC Dimensions								
Model	A	B	C	D	E	F	G	Unit Weight
110, 150, 200	13 7/8 (352)	11 1/2 (292)	7 (178)	6 (152)	1 1/4 (32)	13 1/2 (260)	3 1/4 (83)	10 1/4 (5)



All dimensions are in inches (millimeters) and weight in pounds (kilograms). Inlet connection width is 1 inch (25 mm). Mounting bracket width is 11/2 in. (38 mm).

*Amp and Watt draw is approximate and may vary based on motor manufacturer. Below performance is for 115V.

Model	RPM	Amps	Watts	CFM/Static Pressure in inches wg										
				0	0.1	0.125	0.25	0.375	0.5	0.625	0.75	0.875	1	
BPSC110	950	1.14	36	CFM	133	114	110	97	95	94	91	85	72	50
				Sones	1.5	1.5	1.5	2	2	2	3	3.5	4	4.5
BPSC150	1050	1.7	63	CFM	160	156	155	154	152	149	147	138	123	92
				Sones	2.5	2.5	2.2	3	3.5	3.5	4	4.5	4.5	5
BPSC200	1300	2.2	82	CFM	208	195	194	191	187	184	181	166	151	128
				Sones	3.5	4	4	4.5	4.5	5	5	5.5	5.5	5.5

Performance certified is for model BPSC inline for installation type D: Ducted inlet, Ducted outlet. Performance ratings include the effects of a backdraft damper. Speed (rpm) shown is nominal. Performance is based on actual speed of test. Values shown are for installation type D: ducted inlet spherical fan sone levels. Ratings do not include the effect of duct end correction. Ratings are based on 10 ft of insulated duct.