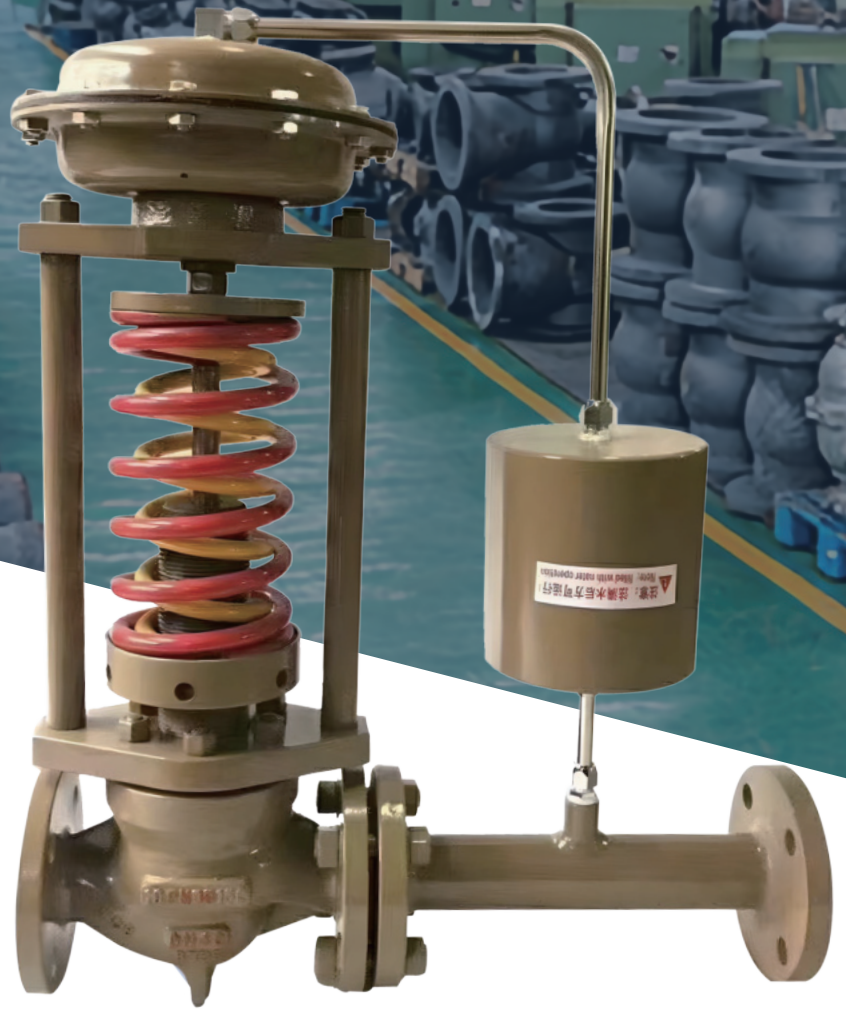


Self-Operated Pressure Regulating Valve

INSTRUCTION MANUAL



dc DELCO

Specialized Control Valve Manufacturer



Introduction

The self operated pressure regulating valve uses the pressure change of the medium itself to drive the valve core action, without the need for external energy. It achieves automatic pressure stability through the force balance between the spring and the diaphragm, and is suitable for working conditions without power/gas source. Induction components: diaphragm type (gas/low-pressure liquid) or piston type (high-pressure liquid), made of 316L or Hastelloy alloy. Adjustment mechanism: The spring pre tension force sets the pressure, and the valve core has fast opening or linear characteristics. Valve body: flange or threaded connection, material options include cast steel, stainless steel, or fluorine lining (corrosion-resistant medium).

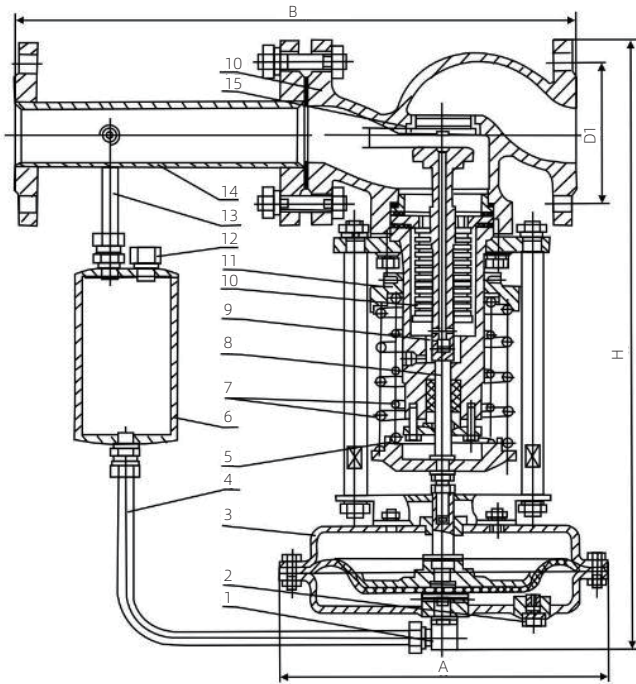
Specification

Type	Self-operated Pressure Control Valve
Nominal Size	DN15-DN450(1/2" -18")
Nominal Pressure	PN1.6、4.0、6.4、10.0、15.0、25.0、32.0
	ANSI Class 150、300、600、900、1500
Connections	(RF)Flanged(RF)
	(SW、BW)Weldingtype(SW、BW)
Body& Bonnet Material	WCB,CF8,CF8M,CF3,CF3M etc.
Packing	Teflon V-ring , Flexible Graphite
Bonnet Type	Standard type:-5~+80°C
	Middle temperature type (with condenser):<350°C
	Note: The allowable operating pressure-temperature limitation for eachmaterial

Technical Parameters & Performance

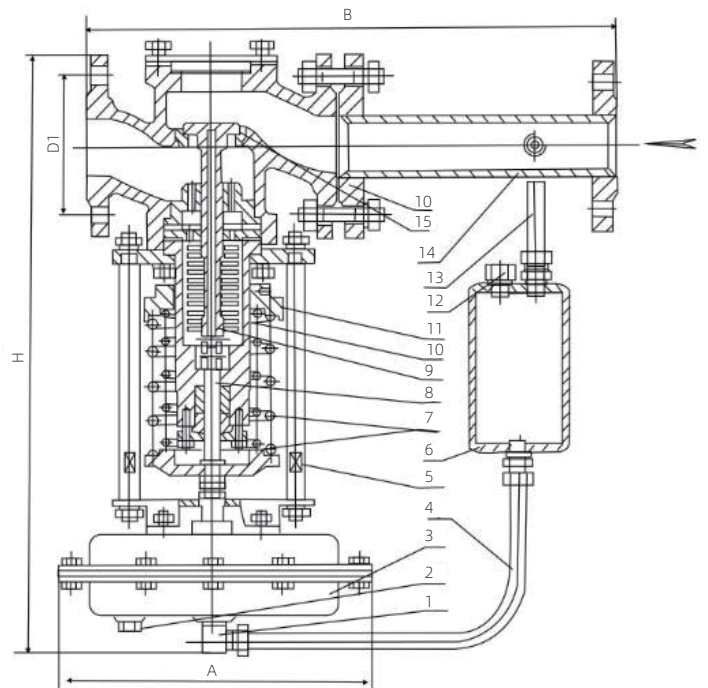
Nominal Size	20	25	32	40	50	65	80	100	125	150	200	250	300					
Rated KV	7	11	20	30	48	75	120	190	300	480	760	1100	1750					
Rated Stroke	8		10		14		20		25		40		50		60		70	
Nominal Pressure	1.6 4.0 6.4																	
Pressure	15~50		40~80		60~140		120~220		160~220		480~560		200~260		540~620			
	240~300		280~350		330~400		380~450		950-1500		1000~2500							
	600~700		680~800		780~900		880~1000											
Flow Characteristics	Quick Opening																	
Regulating Capacities	±5%																	
Operating Temp°C	≤350°C																	
Allowable Seat	Hard Seal (1/h)	Single Seat: ≤ 10-4 Valve Rated Capacity (Iv) Level; Double-seat, Sleeve: < 5 x 10-4 Valve Rated Capacity (III)																
Allowable Seat	Soft Seal (1/h)	0.15	0.3	0.45	0.6	0.9	1.7	4	6.75	11.1	16							
Reduction	Maximum	10																
Ratio	Maximum	1.25																

Structure

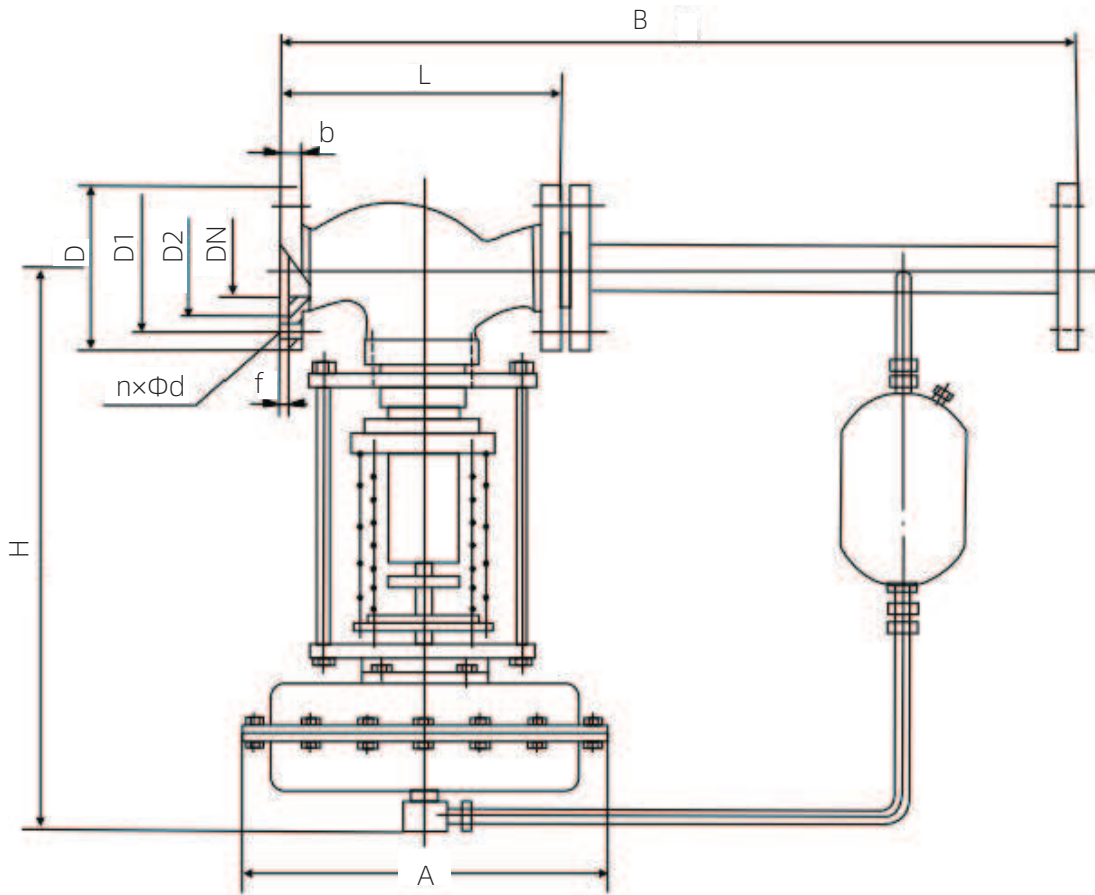


1	Liquid Inlet Joint	9	Plug
2	Vent Plug	10	Bellows
3	Detection	11	Pressure Regulating Wheel
4	Liquid Inlet Tube	12	Liquid Injection Screw
5	Cover Screw	13	Pressure Tube
6	Condenser	14	After-valve Pipe
7	Spring	15	Seat
8	Stem	16	Body

1	Liquid Inlet Joint	9	Plug
2	Vent Plug	10	Bellows
3	Detection	11	Pressure Regulating Wheel
4	Liquid Inlet Tube	12	Liquid Injection Screw
5	Cover Screw	13	Pressure Tube
6	Condenser	14	After-valve Pipe
7	Spring	15	Seat
8	Stem	16	Body

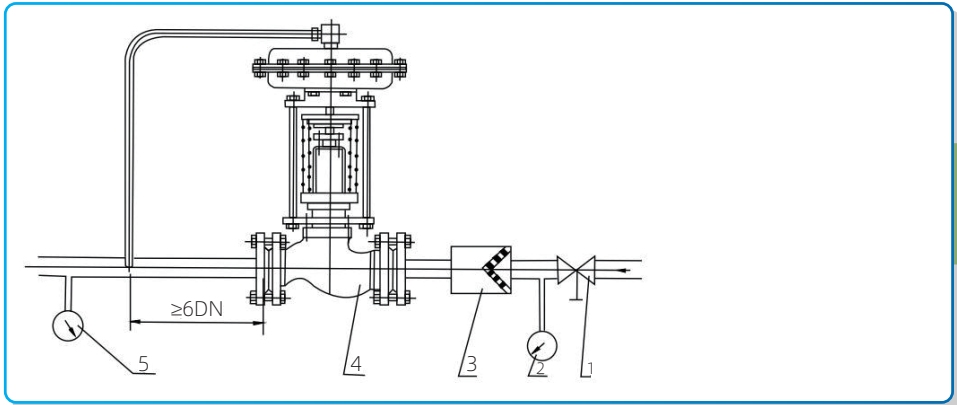


Dimension

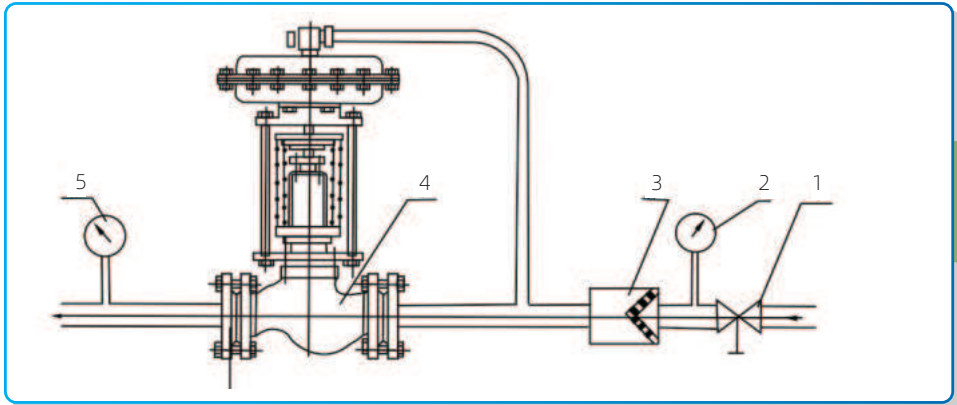


Body Size		20	25	32	40	50	65	80	100	125	150	200	250	300	
Pipe Size		383	512	603	862	1023	1380	1800	2000	2200					
Face to face dimension		150	160	180	200	230	290	310	350	400	480	600	730	850	
Pressure Regulating Range	15-140	H	475	520	540	710	780	840	880	915	940	1000			
		A	280		308										
	200-500	H	455	500	520	690	760	800	870	880	900	950			
		A			230										
	120-300	H	450	490	510	680	750	790	860	870	890	940			
		A		176	194										
	480-1000	H	445	480	670	740	780	850	860	880	930				
		A		176	194										
	600-1500	H	445	570	600	820	890	950	1000	1100	1200				
		A	85		96										
	1000-2500	H	445	570	600	820	980	950	1000	1100	1200				
		A	85		96										
	Weight		26	37	42	72	90	114	130	144	180	200	250		
	Tubing thread interface		M16X1.5												

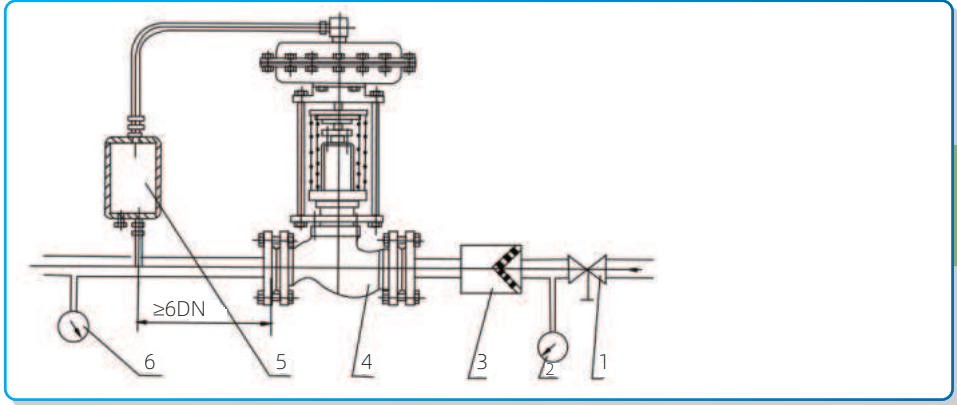
Installation Position



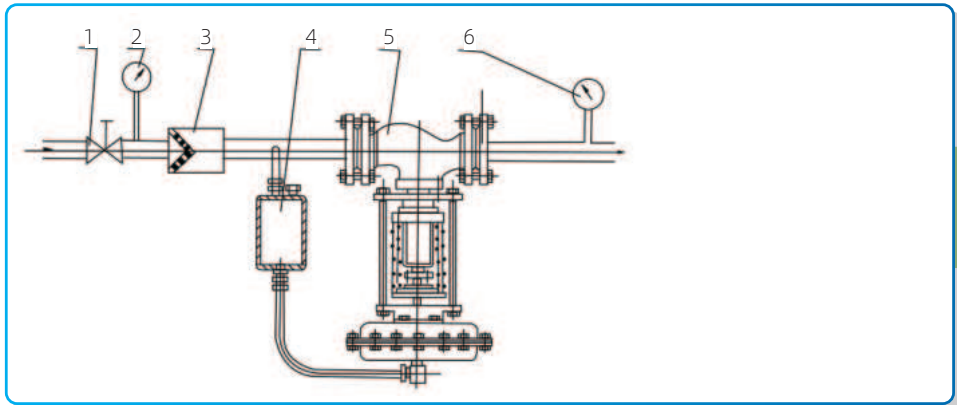
PRESSURE REGULATORS TYPE
Medium temperature $\leq 80^{\circ}\text{C}$



PRESSURE RELIEF TYPE
Medium temperature $\leq 80^{\circ}\text{C}$



SURE REGULATORS TYPE
Medium temperature $\geq 80^{\circ}\text{C}$



PRESSURE REUIEF TYPE
Medium temperature $\geq 80^{\circ}\text{C}$

Seeking For Global Distributors



dc DELCO

Specialized Control Valve Manufacturer



DELCO VALVE CO.LTD

Phone: +86-159 8960 2972

Website: www.delcofluid.com / www.delcovalves.com / www.delcovalve.ru

E-mail: sales@delcofluid.com

Address: Building 8A#, Tiansheng Industrial Park, Wanjiang Street, Dongguan, China

