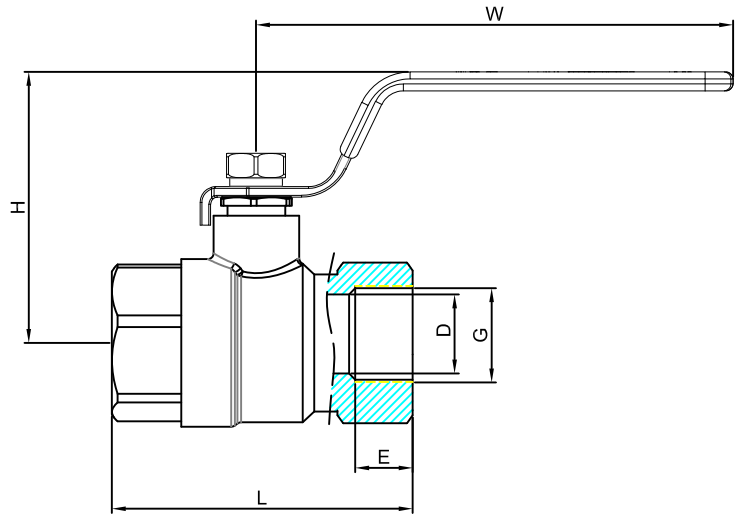
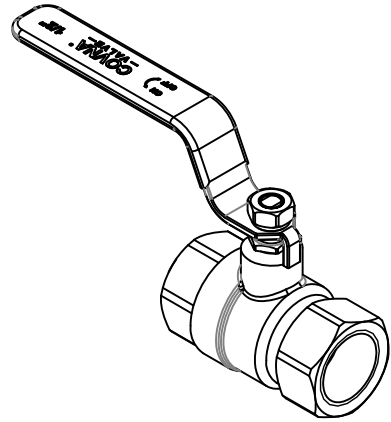
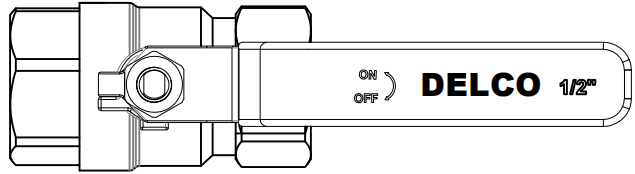


8 7 6 5 4 3 2 1

ZONE		REV	DESCRIPTION	REVISIONS	DATE	APPROVED



Technical Parameters		
Body Material	Nominal Size	DN08~DN50
	Body Material	SS316,
	Connection Type	NPT
	Pressure Rating	1.6MPa
Valve components	Structure type	Floating ball core
	Seat Material	PTFE: -10°C~150°C
	Disc Material	SS316,
	Stem Material	SS316,
	Design Standard	ISO、DIN、IDF、SMS、3A
Applicable Medium	Water, Liquids, Gas, Oil, Powder, Steam, Acid-base Corrosive Medium.	

SIZE	G	D	L	Ø	H	W
DN08	1/4	8	55	11.5	50	95
DN10	3/8	10	55	11.5	50	95
DN15	1/2	15	63	14	55	105
DN20	3/4	20	73	15	65	120
DN25	1	25	84	15	72	140
DN32	1 1/4	32	98	18	80	155
DN40	1 1/2	40	106	19	95	170
DN50	2	50	121	19	105	185

TOLERANCE
UNLESS OTHERWISE SPECIFIED
DECIMALS: .0 ± .1
.00 ± .01
.000 ± .005
ANGLES: MACH, ±1°00'
FORMED ±2°
FRACTIONS: ± $\frac{1}{64}$ "

DELCO VALVE CO.,LTD

TITLE
1/2" 2PCS BALL VALVE

APPROVED BY BOND	FSCM:	DWG NO.	REV A
CHECKED BY JULIA	SIZE mm	SCALE 1:1	SHEET SHEET 1 OF 1
DRAWING BY C L			

8 7 6 5 4 3 2 1