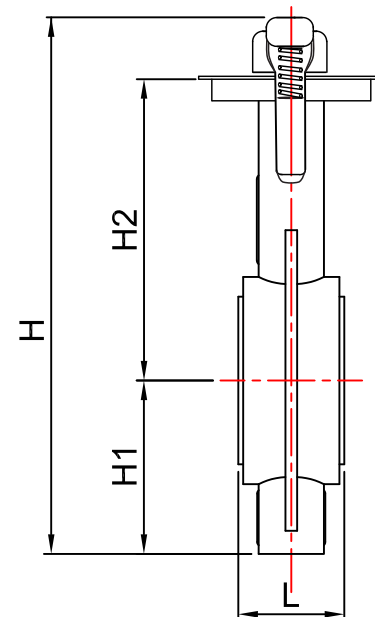
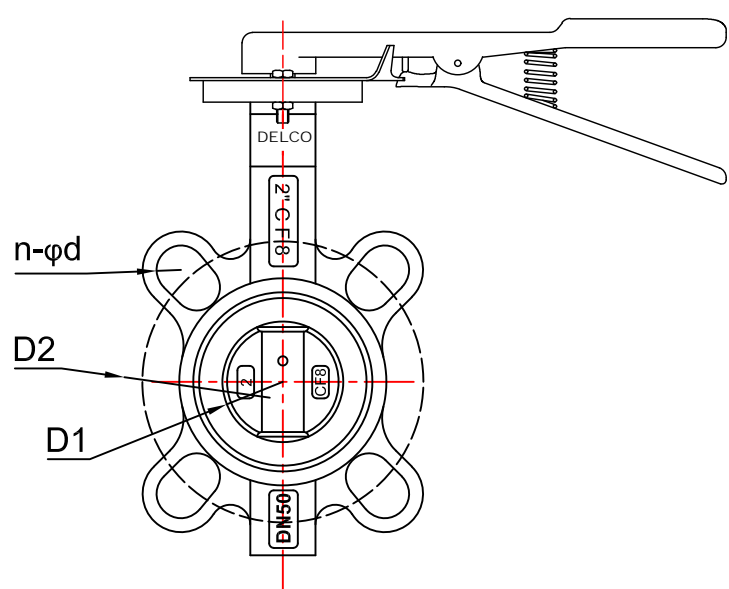


| ZONE | | REV | DESCRIPTION | DATE | APPROVED |
|-----------|--|-----|-------------|------|----------|
| REVISIONS | | | | | |



| MEDLE | DN50 | DN80 | DN100 | DN200 |
|-------------|-------|-------|-------|-------|
| Inch | 2" | 3" | 4" | 8" |
| D | 53 | 80 | 105 | 255 |
| D1 | 87 | 115 | 148 | 255 |
| D2 | 120 | 160 | 180 | 296 |
| L | 45 | 49.5 | 54.5 | 70 |
| H | 220 | 327 | 363 | 440 |
| H1 | 60 | 93 | 105 | 170 |
| H2 | 130 | 145 | 158 | 235 |
| n-φd | 4-φ18 | 4-φ22 | 4-φ26 | 4-φ29 |
| Weight (kg) | 2.14 | 2.85 | 3.94 | 10.81 |

TOLERANCE
UNLESS OTHERWISE SPECIFIED
DECIMALS: .0 ± .1
.00 ± .01
.000 ± .005
ANGLES: MACH. ±1°00'
FORMED ±2°
FRACTIONS: ± 1/16"

APPROVED BY
BOND

CHECKED BY
JULIA

DRAWING BY
C L

| | | | |
|---|--|--------------|--|
| DELCO VALVE CO., LTD | | | |
| TITLE Stainless Steel Butterfly Valve | | | |
| FSCM: | | DWG NO. | |
| SIZE mm | | SCALE 1:1 | |
| SHEET | | SHEET 1 OF 1 | |
| REV | | A | |