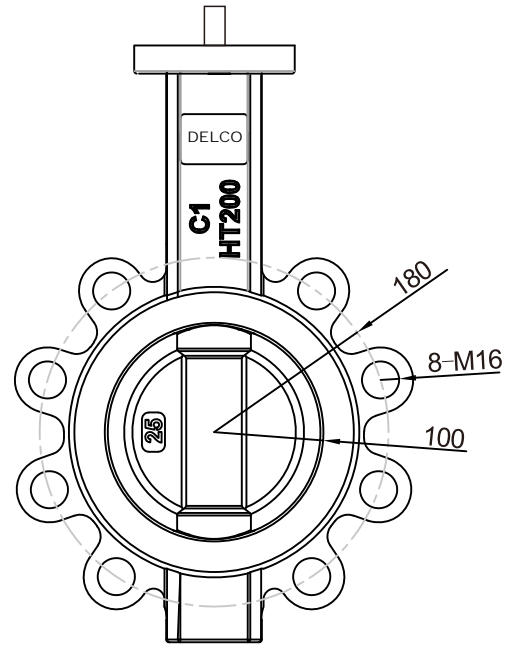
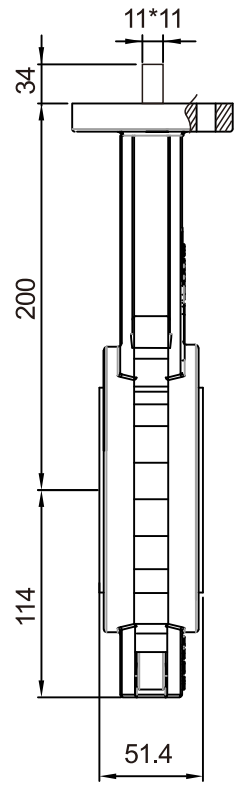
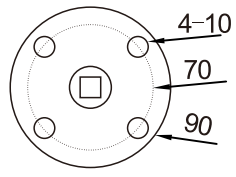


ZONE		REV	DESCRIPTION	DATE	APPROVED



TOLERANCE  
UNLESS OTHERWISE SPECIFIED  
DECIMALS: .0 ± .1  
.00 ± .01  
.000 ± .005  
ANGLES: MACH. ±1°00'  
FORMED ±2°  
FRACTIONS: ± 1/16"

APPROVED BY  
BOND

CHECKED BY  
JULIA

DRAWING BY  
C L

DELCO VALVE CO., LTD				
TITLE LUG TYPE BUTTERFLY VALVE				
FSCM:		DWG NO.		REV A
SIZE mm	SCALE 1:1	SHEET ⊕ ◁	SHEET 1 OF 1	