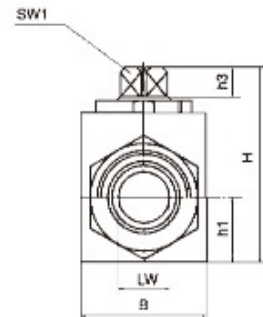
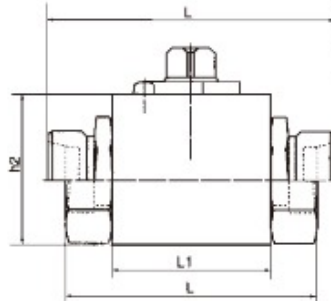


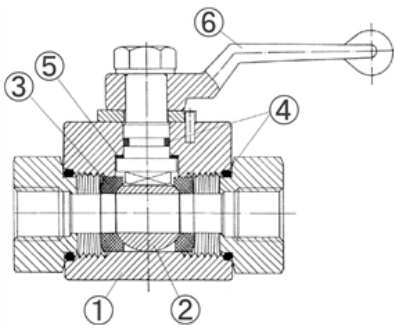


High pressure block ball valve
 socket connection on both side
 in accordance with
 DIN-ISO 228/1

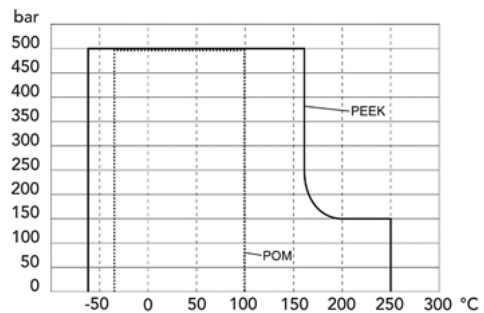


technical product sheet

连接形式/Lever Type	型号/Model	PN	DN	LW	RA	d1	i	L	L1	B	H	h1	h2	h3	SW1	SW2
	KHB-NPT1/8	500	6	6	-	NPT1/8	10	69	35	25	48	13	35	8	9	19
	KHB-NPT1/4	500	8	6	-	NPT1/4	14	69	35	25	48	13	35	8	9	22
	KHB-NPT3/8	500	10	10	-	NPT3/8	14	72	42	32	53	17	40	8	9	27
	KHB-NPT1/2	500	15	12	-	NPT1/2	16	82	47	35	53	17	40	8	9	30
	KHB-NPT1/2	400	15	15	-	NPT1/2	16	82	47	38	62	19	45	11	12	32
	KHB-NPT3/4	315	20	20	-	NPT3/4	18	95	60	48	75.2	24.5	57	11	14	41
	KHB-NPT1	315	25	25	-	NPT1	20.5	113	65	57	82.2	28.5	64	11	14	50
	KHB-NPT1 1/4	315	32	30	-	NPT1 1/4	22	110	84	75	102.7	37.5	84.2	12	17	60
	KHB-NPT1 1/2	315	40	38	-	NPT1 1/2	24	130	91	85	113.7	42.5	85.2	12	17	70
	KHB-NPT2	315	50	48	-	NPT2	26	140	100	105	131.7	52.5	112.7	12	17	80



Druck-Temperatur-Diagramm



Parts list

No.	Designation	Material
1.	Housing	SS316
2.	Ball	SS316
3.	Shell seal	POM (optional PEEK)
4.	Seal	O-ring FPM (Viton)
5.	Spindle gasket	PTFE
6.	Lever	SS316

Seal material	Temperature
POM (standard)	max. +100°C
PEEK (optional)	max. +180°C