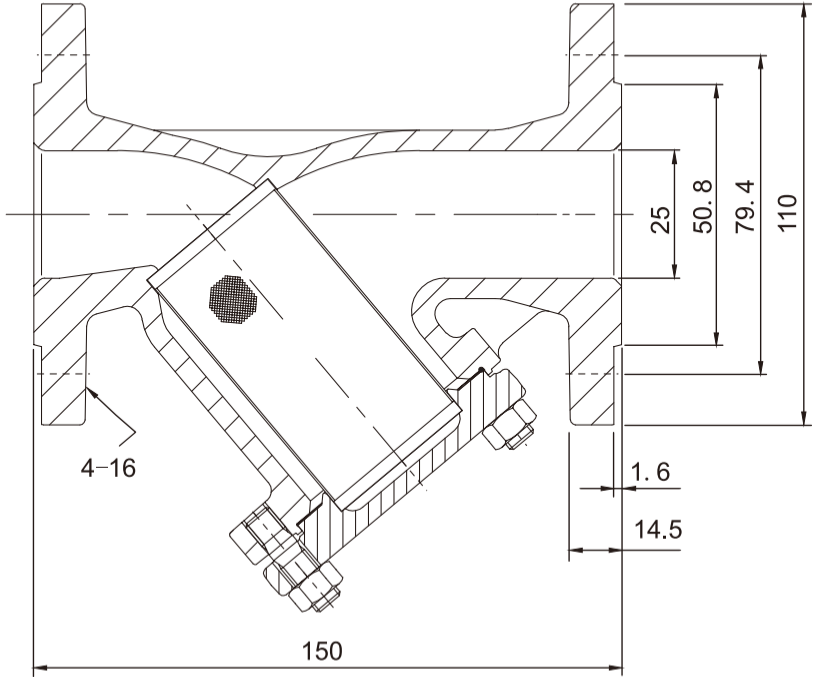


ZONE		REV	DESCRIPTION	REVISIONS	DATE	APPROVED



<p>TOLERANCE UNLESS OTHERWISE SPECIFIED</p> <p>DECIMALS: .0 ± .1 .00 ± .01 .000 ± .005</p> <p>ANGLES: MACH. ± 1° 00' FORMED ± 2°</p> <p>FRACTIONS: ± 1/16"</p> <p>APPROVED BY BOND</p> <p>CHECKED BY JULIA</p> <p>DRAWING BY C L</p>	DELCO VALVE CO.,LTD		
	TITLE 1"ANSI Flange Strainer valve		
	FSCM:	DWG NO.	REV A
	SIZE mm	SCALE 1:1	SHEET 1

SHEET 1 OF 1