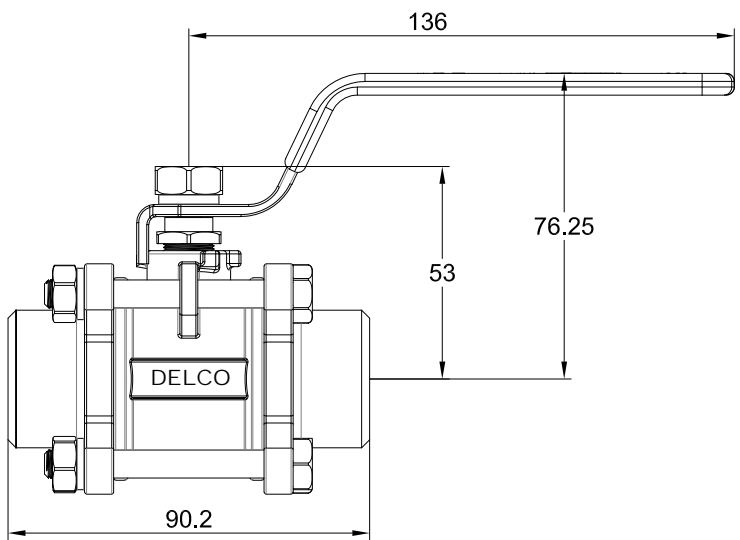
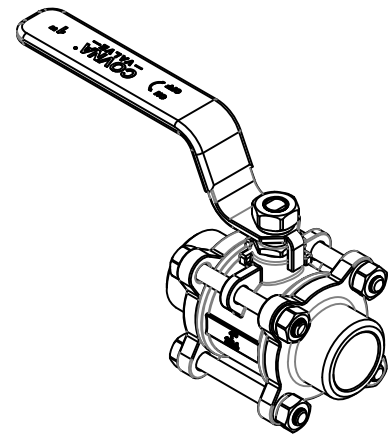
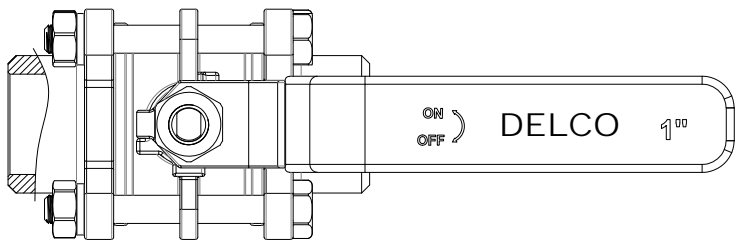


8 7 6 5 4 3 2 1

ZONE		REV	DESCRIPTION	REVISIONS	DATE	APPROVED



INTRODUCTION

The 3 piece design allows for the center part of the valve containing the ball, stem & seats to be easily removed from the pipeline. This facilitates efficient cleaning of deposited sediments, replacement of seats and gland packings, polishing out of small scratches on the ball, all this without removing the pipes from the valve body. The design concept of a three piece valve is for it to be repairable.

Technical Parameters		
Body Material	Nominal Size	DN25
	Body Material	SS316,
	Connection Type	Socket Weld
	Pressure Rating	300Lb
	Structure type	Floating ball core
Valve components	Seat Material	PTFE: -10°C~150°C
	Disc Material	SS316,
	Stem Material	SS316,
	Design Standard	ISO、DIN、IDF、SMS、3A
	Applicable Medium	Water, Liquids, Gas, Oil, Powder, Steam, Acid-base Corrosive Medium.

TOLERANCE
UNLESS OTHERWISE SPECIFIED
DECIMALS: .0 ± .1
.00 ± .01
.000 ± .005
ANGLES: MACH, ±1°00'
FORMED ±2°
FRACTIONS: ± $\frac{1}{16}$ "

DELCO VALVE CO.,LTD

TITLE
DN25 3PCS SOCKET WELD BALL VALVE

APPROVED BY
BOND

FSCM: _____ DWG NO. _____ REV
A

CHECKED BY
JULIA

SIZE mm SCALE 1:1 SHEET SHEET 1 OF 1

8 7 6 5 4 3 2 1