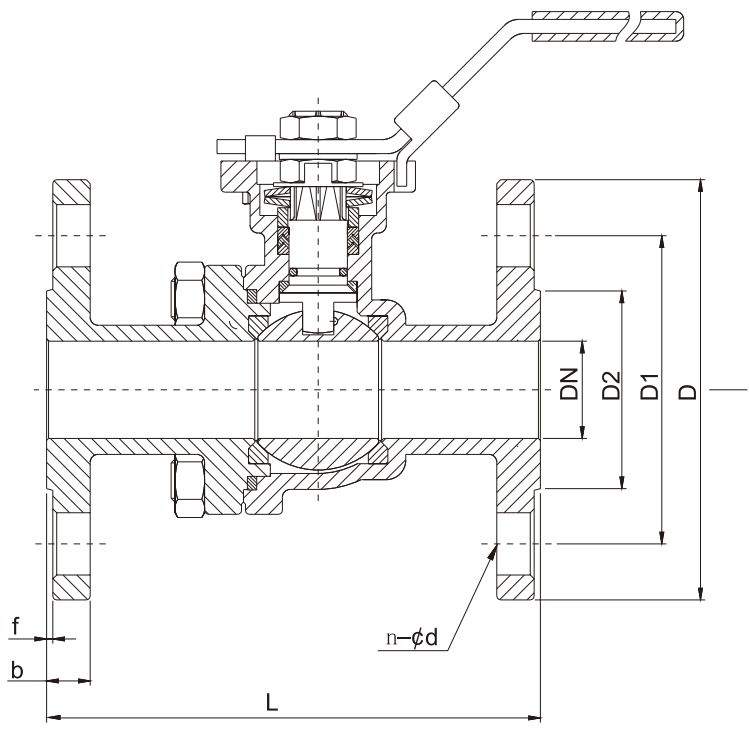


ZONE		REV	DESCRIPTION	DATE	APPROVED
REVISIONS					



DN	D	D1	D2	b	f	L	n-φd
DN50	150	120.7	92.1	19.5	1.6	178	4-φ19
DN80	190	120.7	152.4	24	1.6	178	4-φ19
DN100	230	120.7	190.5	24	1.6	178	8-φ19

TOLERANCE UNLESS OTHERWISE SPECIFIED DECIMALS: .0 ± .1 .00 ± .01 .000 ± .005 ANGLES: MACH. ±1°00' FORMED ±2° FRACTIONS: ± 1/16"	<b>DELCO VALVE CO., LTD</b>				
	TITLE <b>ANSI 150# Manual 2-Piece Flange Ball Valve</b>				
	APPROVED BY BOND		FSCM:		REV <b>A</b>
	CHECKED BY JULIA		DWG NO.		
DRAWING BY C L		SIZE mm	SCALE 1:1	SHEET	SHEET 1 OF 1