

80	200	160	135	121	22	3	4	8-ø18	80	200	160	135	
DN	D	D1	D2	D3	b	f	f1	Z-ød	DN'	D'	D1'	D2'	
												L	L1

Project		Client	
TAG NO.	Q.T.Y	(PN)	(mm)
		Nominal Pressure	Nominal Diameter
	40	80/80	
Suitable medium	Medium state	Suitable temp.	≤200 °
Compliance with technical specifications			
Product design standards	GB/T 12241-2021		
Test standards	GB/T 12243-2021		
Flange standards	DIN EN 1092		
Centre To Face	160 X 135		
Flange pressure class	PN40 # X PN16 #		

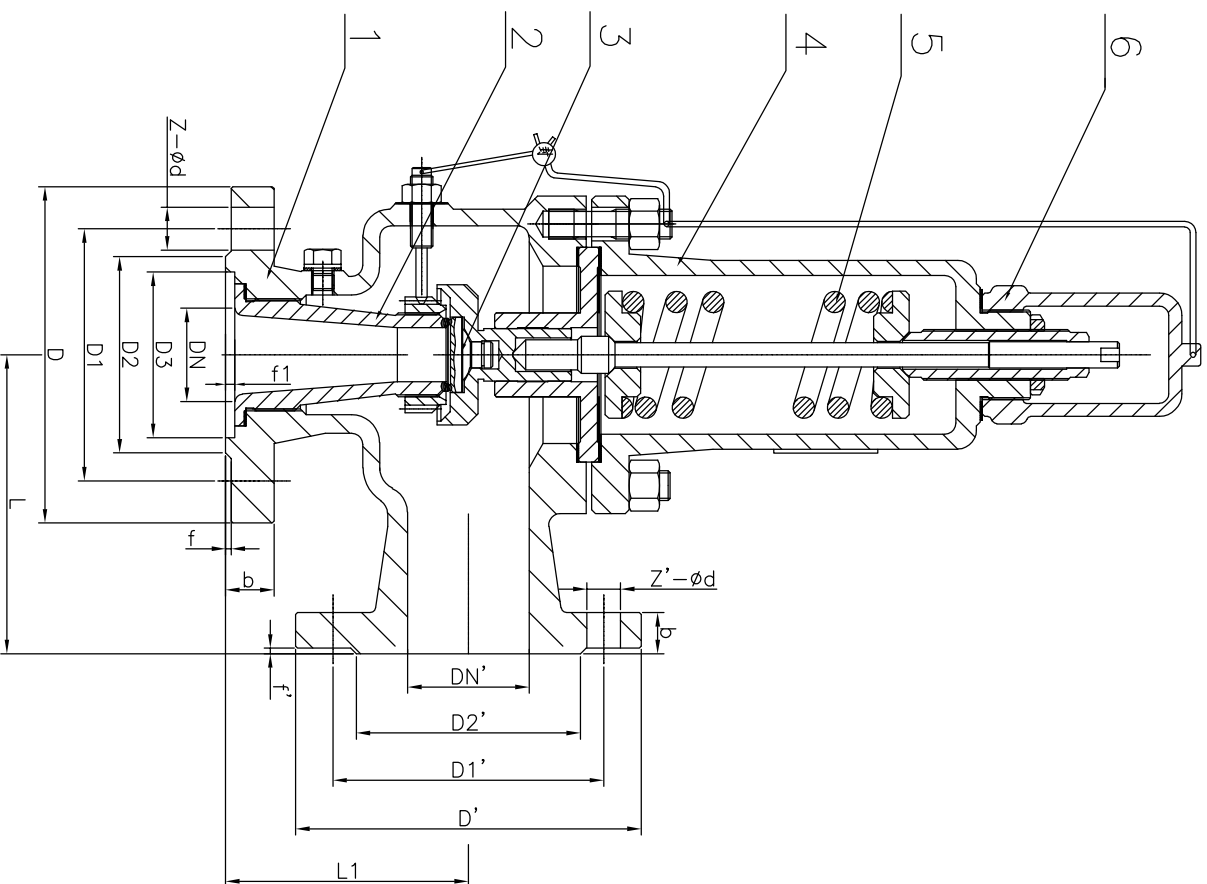
6	Cap	CF8
5	Spring	50CrV4+喷塑
4	Bonnet	CF8
3	Disc	SS316Ti+ste
2	Nozzle	SS316Ti+ste
1	Body	CF8
No.	Name	Material

Rev. Zine		Description		Signature	Date
Drawing					
Design	Standard	Pattern marking	Weight	Scale	
Proofread	Authorized	S	A		
Auditing	Approved				
Cartwork	Date	Total	Page(s)	Page	

Spring Loaded  
Safety Valve

A41Y-40P DN80/80

Tracking  
Verify  
Old no.  
Version no.  
Signature  
Date



80	200	160	135	121	22	3	4	8-ø18	100	220	180	155	22	3	8-ø18	170	135
DN	D	D1	D2	D3	b	f	f1	Z-ød	DN'	D'	D1'	D2'	b'	f'	Z'-ød	L	L1

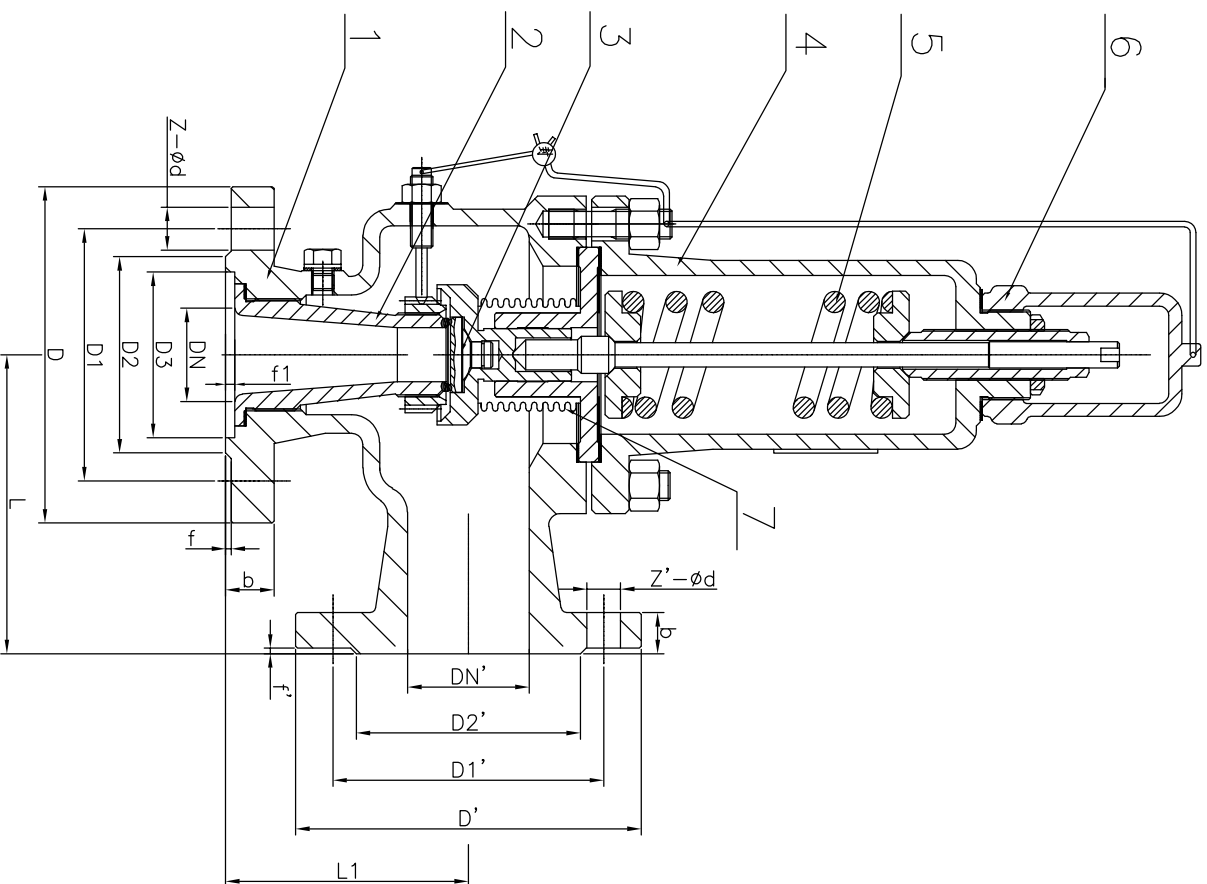
Project	Client		
TAG NO.	Q.T.Y	(PN)	(mm)
		Nominal Pressure	Nominal Diameter
	40	80/100	
Suitable medium	Medium state	Suitable temp.	≤200 °

Compliance with technical specifications	
Product design standards	GB/T 12241-2021
Test standards	GB/T 12243-2021
Flange standards	DIN EN 1092
Centre To Face	170 X 135
Flange pressure class	PN40 # X PN16 #

6	Cap	CF8
5	Spring	50CrV4+喷塑
4	Bonnet	CF8
3	Disc	SS316Ti+ste
2	Nozzle	SS316Ti+ste
1	Body	CF8
No.	Name	Material

Drawing				Spring Loaded Safety Valve	
Design	Standard	Pattern marking	Weight	Scale	
Proofread	Authorized	S	A		
Auditing	Approved				
Cartwork	Date	Total	Page(s)	Page	A42Y-40P DN80/100

Tracking  
Verify  
Old no.  
Version no.  
Signature  
Date



100	235	190	160	150	24	3	4.5	8-ø22	125	250	210	185	22	3	8-ø18	190	175
DN	D	D1	D2	D3	b	f	f1	Z-ød	DN'	D'	D1'	D2'	b'	f'	Z'-ød	L	L1

Project	Client			
TAG NO.	Q.T.Y	(PN)	(mm)	(Mpa)
		Nominal Pressure	Nominal Diameter	Set Pressure
		40	100/125	Weight
Suitable medium	Medium state			Suitable temp.
				≤200 °

Compliance with technical specifications	
Product design standards	GB/T 12241-2021
Test standards	GB/T 12243-2021
Flange standards	DIN EN 1092
Centre To Face	195 X 175
Flange pressure class	PN40 # X PN16 #

7	Bellows	SS316L
6	Cap	CF8
5	Spring	50CrV4+喷塑
4	Boonnet	CF8
3	Disc	SS316Ti+ste
2	Nozzle	SS316Ti+ste
1	Body	CF8
No.	Name	Material

Drawing		Spring Loaded	
Safety Valve			

Rev.	Zine	Description	Signature	Date
Design				
Proofread				
Auditing				
Cartwork				

Tracking  
Verify  
Old no.  
Version no.  
Signature  
Date

Design	Standard	Pattern marking	Weight	Scale
Proofread	Authorized	S	A	
Auditing	Approved			
Cartwork	Date	Total	Page(s)	Page
				WA42Y-40P DN100/125