

2W31 Direct Lifting Diaphragm Type Solenoid Valve

INSTRUCTION MANUAL



dc DELCO

Specialized Control Valve Manufacturer



Characteristic	1. Direct Lifting 2. Zero pressure start, Suitable for low pressure system
Medium	Air, gas, water, oil, etc.
Temperature	N-NBR: -5°C~80°C E-EPDM: -5°C~100°C V-VITON: -10°C~120°C
Pressure	0~1.0MPa
Port Size	Thread: 3/8"~2"
Port Thread	BSP/NPT/BSP,NPT,FLANGE
Orifice(mm)	12, 15, 20, 25, 32, 40, 50
Voltage	DC-12V,24V AC-24V,120V,240V/60Hz,110V,220V/50Hz
Tolerance	±10%
Coils	S91B,22VA(AC),17W(DC),IP65,100%ED S92B,22VA(AC),17W(DC),IP65,100%ED S61B,28VA(AC),36W(DC),IP65,100%ED
Material	Body: SUS,Brass,PVC
	Seal: NBR,EPDM,VITON
	Armature Tube: Stainless Steel304
	Plunger: Stainless Steel430F
	Stop: SS 430F
	Springs: SS 304
	Shading Rings: Copper



Ordinary black junction box



Lighted junction box



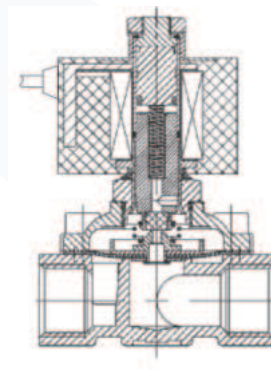
S91B



S92B



S61B



NC

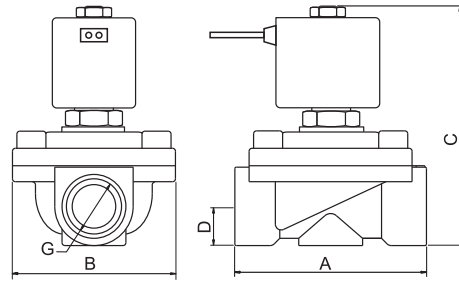
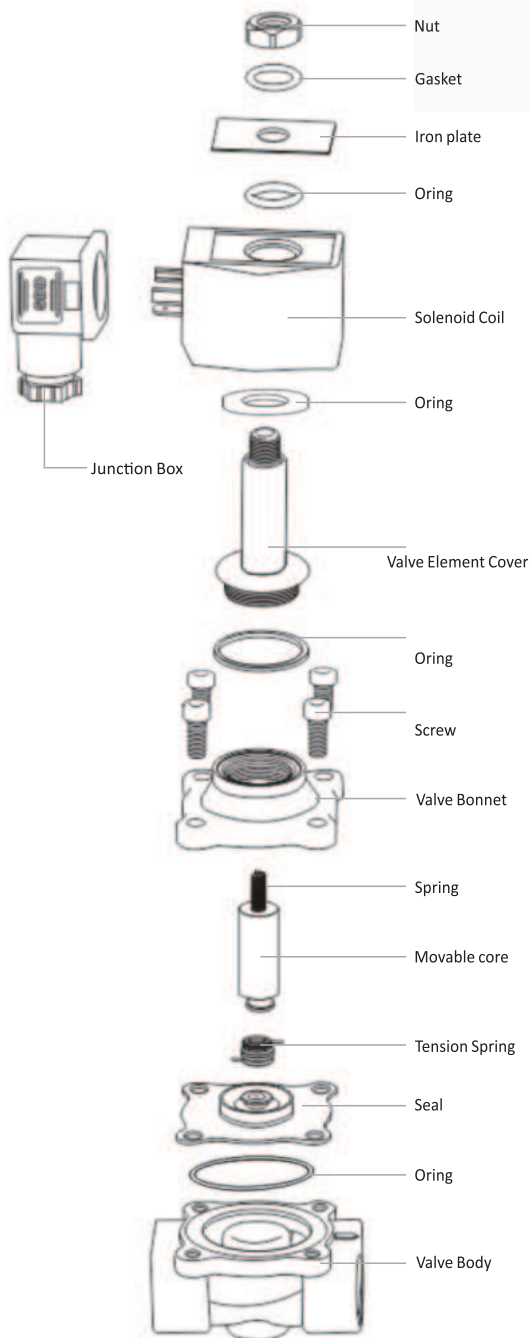
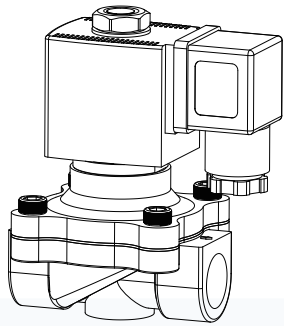
Determine Valve Body Code

Type	Orifice mm	Port Thread	Body	Sealing	Coils	Voltage
2W31-A 2W31-B	12, 15, 20, 25, 32, 40, 50	G-G/BSP G/BSP N-NPT thread NPT F-Flange	B-Brass S-Stainless steel P-UPVC	N-NBR E-EPDM V-VITON	S91B S92B S61B	1, AC220V 2, DC24V 3, AC110V 4, DC12V 5, AC24V 6, AC12V

EXMAPLE: 2W31 SERIES, 25MM ORIFICE, 1"G, STAINLESS BODY, NBR SEAL, COIL S91B, AC220V, DIN

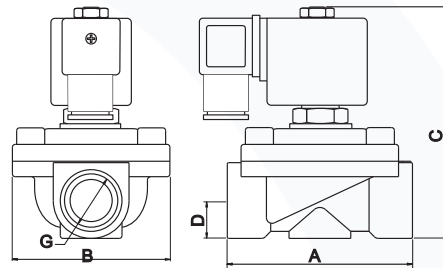
2W31 Series Normally Closed, S91B /S61B Coil

Size	Port Size	Orifice/MM	Cv	Min Pressure	Max Pressure		Sealing Material	Body Material	Coils
					AC(22VA)	DC(17W)			
2W31 X X X X	3/8"	12	4.5	0.0MPa	1.0MPa	1.0MPa	NBR EPDM VITON	Brass Stainless Steel PVC	S91B/S92B
2W31 X X X X	1/2"	15	4.5	0.0MPa	1.0MPa	1.0MPa			S91B/S92B
2W31 X X X X	3/4"	20	9.3	0.0MPa	1.0MPa	1.0MPa			S91B/S92B
2W31 X X X X	1"	25	12	0.0MPa	1.0MPa	1.0MPa			S91B/S92B
					AC(28VA)	DC(36W)			
2W31 X X X X	1 1/4"	32	24	0.0MPa	1.0MPa	1.0MPa			S91B
2W31 X X X X	1 1/2"	40	29	0.0MPa	1.0MPa	1.0MPa	S91B		
2W31 X X X X	2"	50	48	0.0MPa	1.0MPa	1.0MPa	S91B		



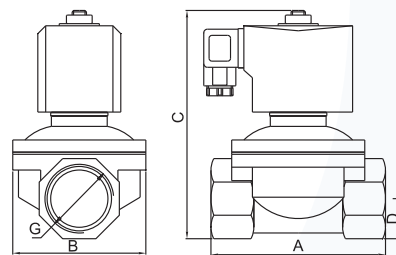
Size Drawing For 2W31A Series Solenoid Valve S92B Coil

SIZE	2W31A-15	2W31A-20	2W31A-25
A	66	66	86
B	50	50	61
C	95	101	107
D	13.5	16.5	20



Size Drawing For 2W31B Series Solenoid Valve S91B Coil

SIZE	2W31B-10	2W31B-15	2W31B-20	2W31B-25
A	68	66	68	97
B	56	56	56	76
C	95	110	117	125
D	13.5	13.5	16.5	20



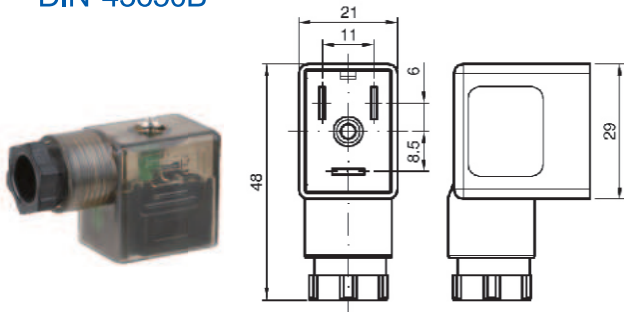
Size Drawing For 2W31B Series Solenoid Valve S61B Coil

SIZE	2W31-32	2W31-40	2W31-50
A	110	114	154
B	86	93	118.5
C	148	157	182
D	24	28	36

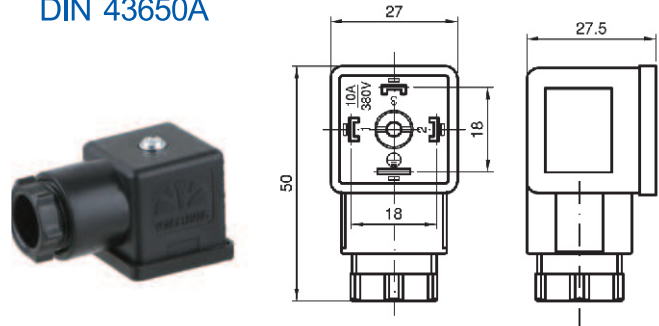
Determine Valve Body Code

S	2	1	B	1
Model Number	NO	Wiring Form	Rank	Input Voltage
S-Plastic Coil Y-Waterproof Coil F-Waterproof Coil L-Self Retaining Coils Ex- Explosion-proof coils	1 2 3 4 5 6 7 8 9 A D0 C	1-Connection box 2-45cm lead 3-1/2" conduit 4-1m long lead	B-B grade (-20~130°C) F-F grade(-20~155°C) H-H grade(-20~180°C)	1-AC220V 2-DC24V 3-AC110V 4-DC12V 5-AC24V 6- DC6V 7-AC380V

DIN 43650B



DIN 43650A

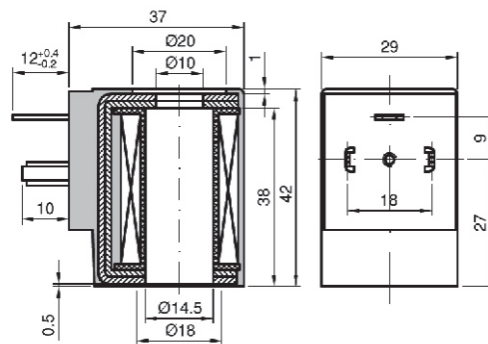


S11B

Voltage
AC24 - 240V 50Hz / 60Hz
DC12 - 48V

power
22VA 13W

Protection level
H

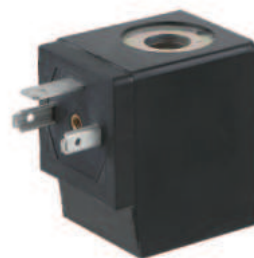
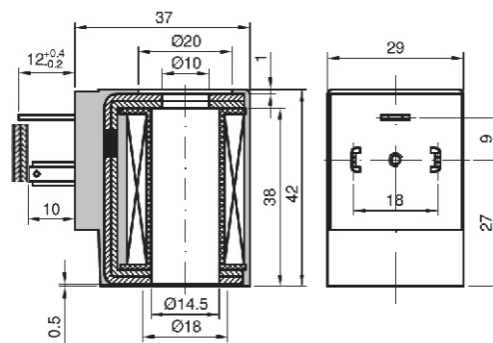


L11B

Voltage
DC4.5 - 24V

power
14W

Protection level
H

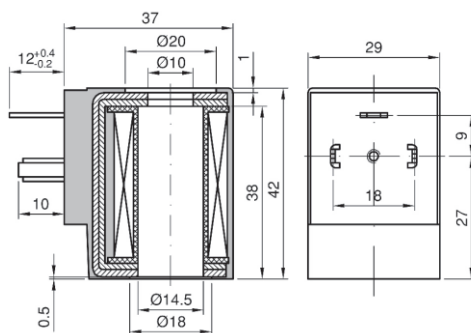


0543

Voltage
AC24 - 240V 50Hz / 60Hz
DC12 - 48V

power
22VA 13W

Protection level
H

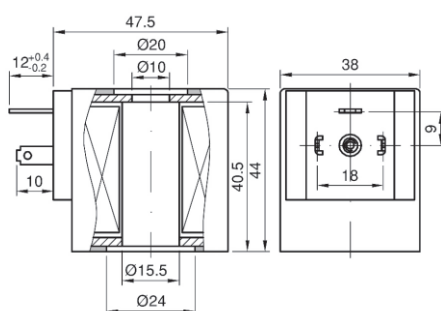


S21B

Voltage
AC24 - 240V 50Hz / 60Hz
DC12 - 48V

power
24VA 18W

Protection level
H

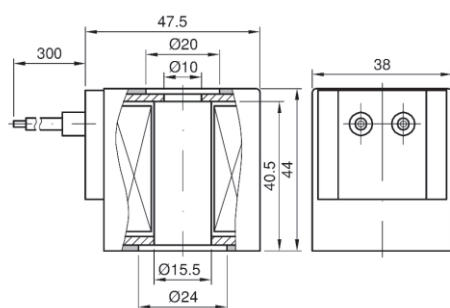


S22B

Voltage
AC24 - 240V 50Hz / 60Hz
DC12 - 48V

power
30VA 18W

Protection level
H

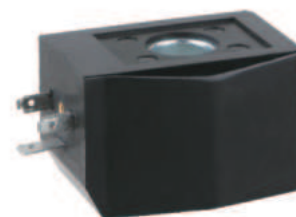
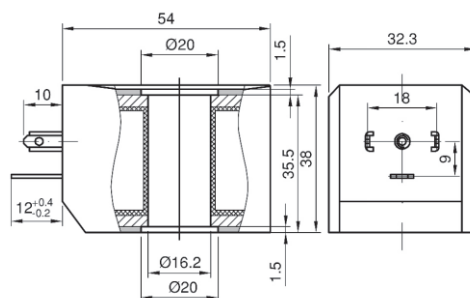


S41B

Voltage
AC24 - 240V 50Hz / 60Hz
DC12 - 48V

power
18VA 11W

Protection level
H

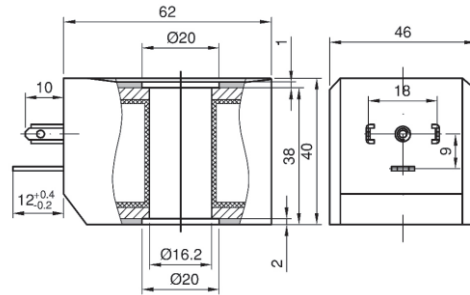


S51B

Voltage
AC24 - 240V 50Hz / 60Hz
DC12 - 48V

power
30VA 24W

Protection level
H

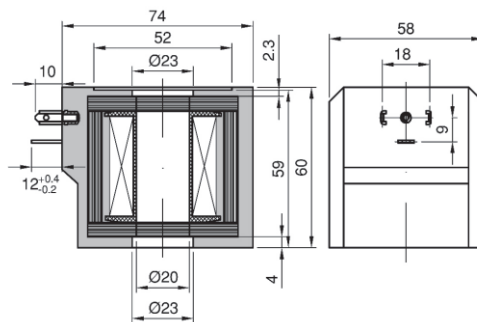


S61B

Voltage
AC24 - 240V 50Hz / 60Hz
DC12 - 48V

power
28VA 36W

Protection level
H

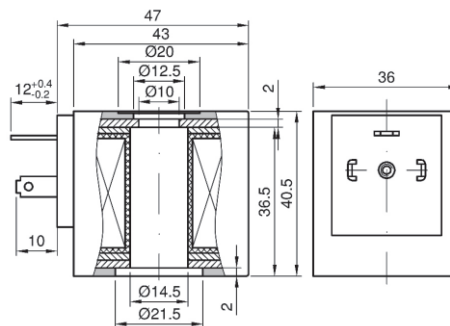


S91B

Voltage
AC24 - 240V 50Hz / 60Hz
DC12 - 48V

power
22VA 17W

Protection level
H

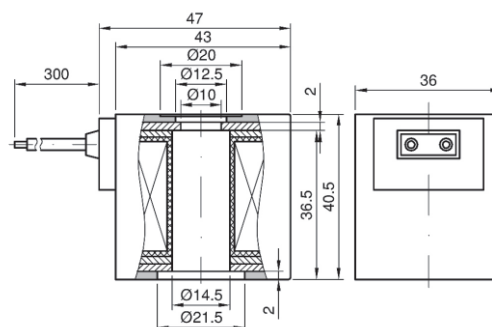


S92B

Voltage
AC24 - 240V 50Hz / 60Hz
DC12 - 48V

power
22VA 17W

Protection level
H

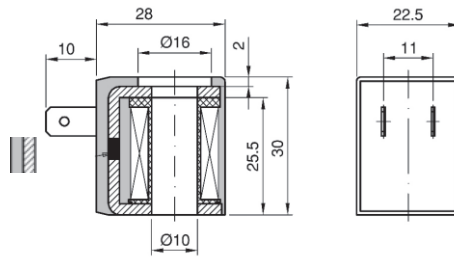


L21B

Voltage
DC4.5 - 24V

power
10W

Protection level
H

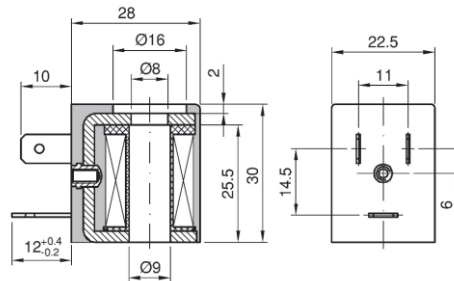


S81B

Voltage
AC24 - 240V 50Hz / 60Hz
DC12 - 48V

power
5.5VA 4.8W

Protection level
H

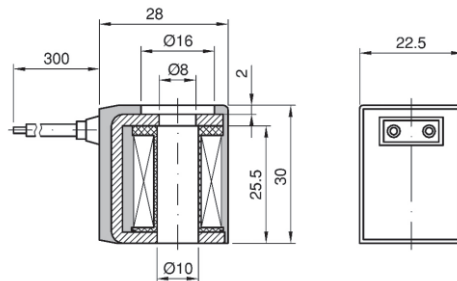


SA12B

Voltage
AC24 - 240V 50Hz / 60Hz
DC12 - 48V

power
6.5W

Protection level
H

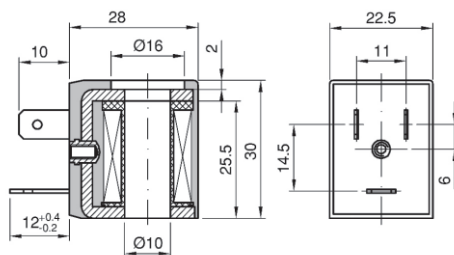


SA11B

Voltage
AC24 - 240V 50Hz / 60Hz
DC12 - 48V

power
6.5W

Protection level
H

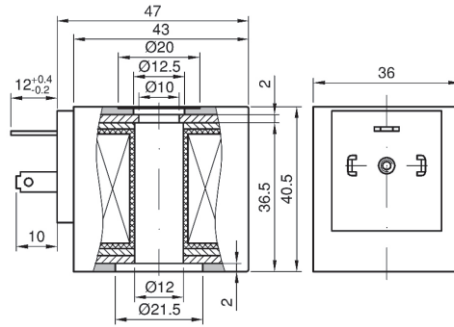


SD01B

Voltage
 AC24 - 240V 50Hz / 60Hz
 DC12 - 48V

power
 16VA 13W

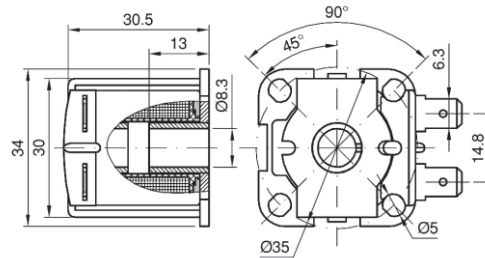
Protection level
 H


SA41B

Voltage
 AC24 - 240V 50Hz / 60Hz
 DC12 - 48V

power
 5W

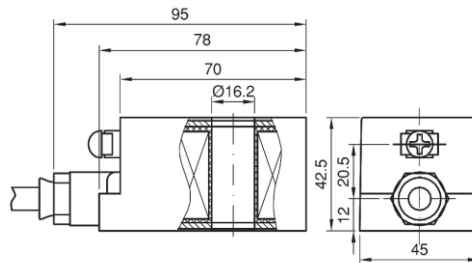
Protection level
 F


EX1620

Voltage
 AC220V 50Hz
 DC24V

power
 20VA 16W

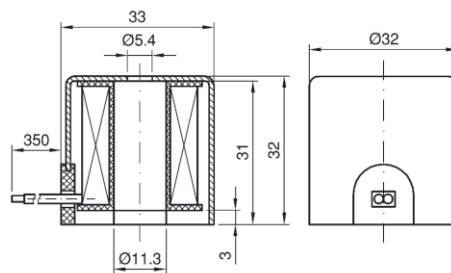
Protection level
 H


AB12B

Voltage
 AC24 - 240V 50Hz / 60Hz
 DC12 - 48V

power
 5W

Protection level
 F

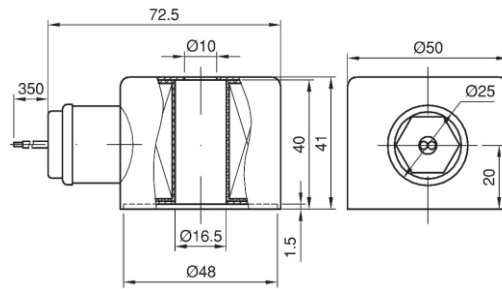


Y32B

Voltage
AC24 - 240V 50Hz / 60Hz
DC12 - 48V

power
40VA 18W

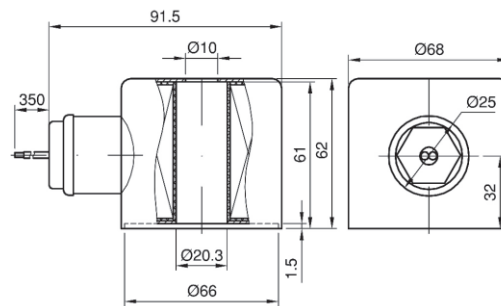
Protection level
H


Y42B

Voltage
AC24 - 240V 50Hz / 60Hz
DC12 - 48V

power
50VA 20W

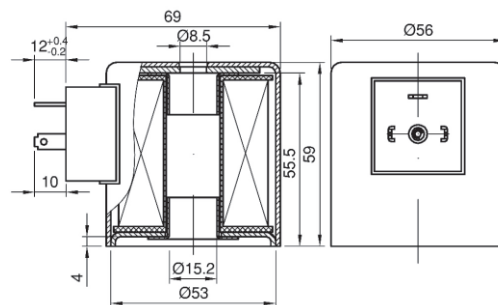
Protection level
H


Y21B

Voltage
AC24 - 240V 50Hz / 60Hz
DC12 - 48V

power
18VA 16W

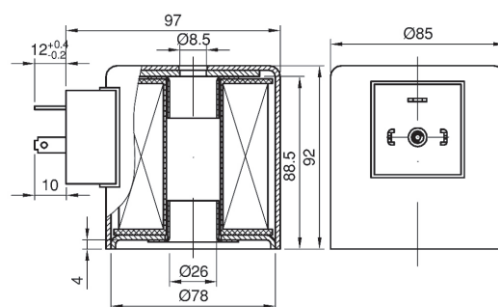
Protection level
H


Y51B

Voltage
AC24 - 240V 50Hz / 60Hz
DC12 - 48V

power
70VA 50W

Protection level
H

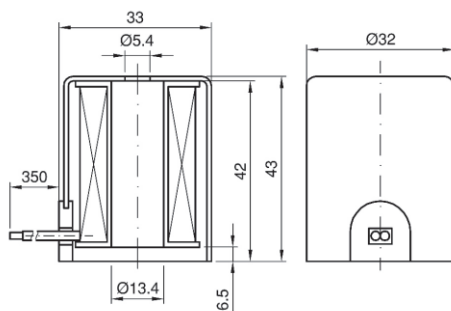


Y82B

Voltage
AC24 - 240V 50Hz / 60Hz
DC12 - 48V

power
6VA 5W

Protection level
H

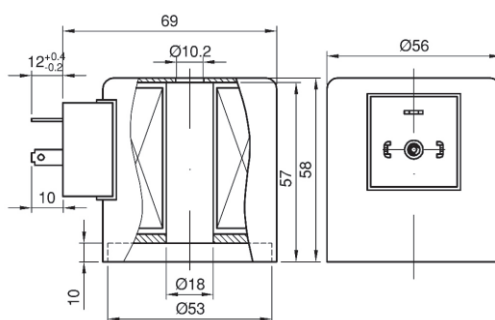


Y91B

Voltage
AC24 - 240V 50Hz / 60Hz
DC12 - 48V

power
20VA 28W

Protection level
H

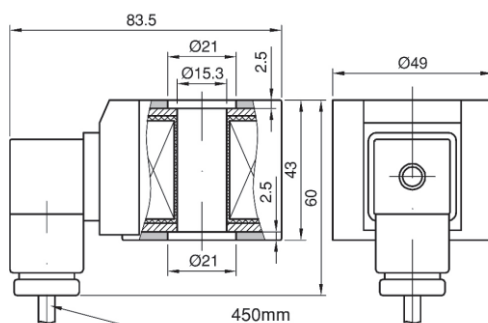


F14

Voltage
AC24 - 240V 50Hz / 60Hz
DC12 - 48V

power
26VA 13W

Protection level
H

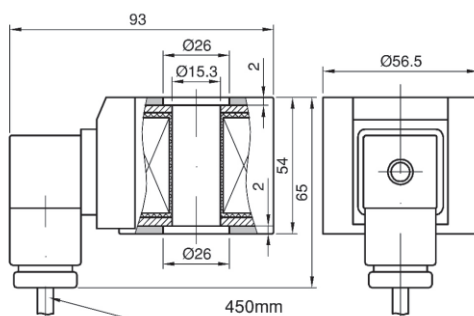


F24

Voltage
AC24 - 240V 50Hz / 60Hz
DC12 - 48V

power
28VA 15W

Protection level
H



Valve body, seal material and medium modeling table

Material Medium	Brass	Cast Iron	Stainless Steel	Plastic	NBR	EPDM	PTFE	Teflon
Air	√	√	√	√	√	√	√	√
Natural Gas	√	√	√		√	√	√	√
Oxygen	√	√	√	√	√	√	√	√
Hydrogen	√		√		√		√	√
City Gas	√		√				√	√
Industrial Gas	√		√		√			√
Nitrogen	√		√				√	√
Refined Oil	√	√	√				√	√
Water	√	√	√	√	√	√	√	√
Steam	√	√	√		X	√	√	√
Drinking Water	√	√	√	√		√		√
Seawater	√		√	√	√	√	√	√
Industrial Water			√				√	√
Gasoline	√	√	√			X	√	√
Kerosene	√	√	√	√	√	X	√	√
Diesel	√	√	√	√	√	X	√	√
Milk	√	√	√	√	√	√	√	√
Liqueur	√	√	√	√	√	√	√	√
Alcohol	√	√	√		√	X		√
Acetylene	√	√	√		√	X	√	√
Ethanol	√	√	√		√	X	√	√
Propanol	√	√	√		√	X	X	√
Ammonia					X			√
Toluene	√	√	√			X	√	√
Xylene	√	√	√			X	√	√
Propane	√	√	√			X	√	√
Methane	√	√	√		√	X	√	√
Sulfur Dioxide	√	√	√				√	√
< 20% Sodium Hydroxide		√	√		√	X		√
< 10% Nitric Acid			√				√	√
< 20% Sulfuric Acid							√	√
< 10% Hydrochloric Acid								√
Acetic Acid	√	√	√		√	X	√	√

Flow Calculation

1. Liquid (volume)

$$Q=14.28Cv \sqrt{\frac{P^1-P^2}{G}}$$

Note: The influence of viscosity is not considered, when it is less than 20CST, that is, 200mm/s

3. Description

P1: Inlet pressure Kgf/cm²

P2: Outlet pressure Kgf/cm²

P: P1-P2

G: Proportion (Water=1, Air=1)

P4: Flow Coefficient (1Kv=14.28Cv)

2. Gas (volume)

$$Q=198.3CvP_1 \frac{1}{\sqrt{G}} \left(P_2 \leq \frac{P_1}{1.89} \right)$$

$$Q=396.6Cv \sqrt{\Delta P} P_2 \frac{1}{\sqrt{G}} \left(P_2 > \frac{P_1}{1.89} \right)$$

Note: Standard atmospheric state : 760mmHg,15.6C
Q:cm/min

Common Unit Of Pressure

1Kgf/cm² = 1bar = 0.1MPa = 100Ka = 14.5PSI

AC- Communicate With

DC- Direct Current

Common Seals Material

Used in different places and conditions, some relevant data is for reference only:

1. NBR

Mainly used for diaphragms, O-rings and seals, suitable for most gases, water, gasoline, etc., and the medium temperature can be used at -10°C to 80°C

2. EPDM

Mainly used in places above the NBR temperature, (such as hot water, low pressure steam) is also suitable for most gases. The medium temperature can be used at -10°C to 100°C

3. VITON

Mainly used in places where NBR and EPDM cannot be used, and can be used with more gases, water, oil, gasoline, solvents, etc. The medium temperature can be used at -20°C to 120°C

4. PTFE

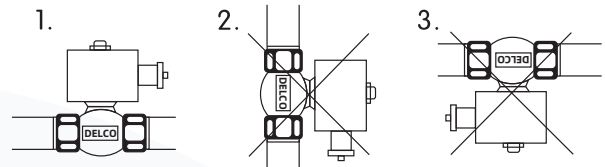
It can be applied to almost all fluids. But because of its "cold flow" characteristics. As a dynamic seal, it is prone to leakage especially under gas.

Coil Current Tile Number Statistics					Coil Current Tile Number Statistics				
Coil Model	Product Model	Voltage	Electric Current	Power	Coil Model	Product Model	Voltage	Electric Current	Power
S91B	2W31-15	DC12V	1.7A	20W	S51B	2W21-15	DC12V	2A	24W
S91B	2W31-15	DC24V	0.7A	17W	S51B	2W21-15	DC24V	0.96A	23W
S91B	2W31-15	AC110V	0.2A	12.5W	S51B	2W21-15	AC110V	0.27A	16.8W
S91B	2W31-15	AC220V	0.1A	12W	S51B	2W21-15	AC220V	0.14A	17.5W
S91B	2W31-15	AC380V			S51B	2W21-15	AC380V		
Y32B	2W-15	DC12V	1.1A	13W	SD01B	2W21-40	DC12V	2.8A	33.5W
Y32B	2W-15	DC24V	0.75A	18W	SD01B	2W21-40	DC24V	1.5A	36W
Y32B	2W-15	AV110V			SD01B	2W21-40	AV110V	0.32A	17.3W
Y32B	2W-15	AC220V	0.18A	20W	SD01B	2W21-40	AC220V	0.13A	14W
Y32B	2W-15	AC380			SD01B	2W21-40	AC380		
Y42B	2W-40	DC12V			Y92B	US-15	DC12V		
Y42B	2W-40	DC24V	2.7A	64W	Y92B	US-15	DC24V	2.8A	67W
Y42B	2W-40	AC110V	0.23A	14W	Y92B	US-15	AC110V	0.5A	16.4W
Y42B	2W-40	AC220V	0.14A	16.8W	Y92B	US-15	AC220V	0.23A	16W
Y42B	2W-40	AC380V			Y92B	US-15	AC380V		

Safety instructions Before Starting

1. Check the compatibility of the medium used, temperature and other operating conditions with the materials and specifications of the product. It is the responsibility of the user to select the right product for the application.
2. Solenoid valves can only be used with clean liquids or gases. It is recommended to install a filter before the solenoid valve.
3. Never exceed the limits for pressure, temperature or voltage as indicated on the product and/or in the technical documentation.
4. The temperature of a solenoid valve coil can rise during operation; this is normal. Overheating will cause smoke and a burning smell. In this case, the power supply must immediately be disconnected.

⚠ It is recommended to install the solenoid in vertical position with the coil facing upwards. This reduces the probability of the collection of debris in the solenoid valve.



Be aware of the direction of flow of the medium when installing the valve. Solenoid valves with an arrow on the housing must be connected in the indicated direction. The pipes on both sides of the valve must be securely fastened. Use a wrench for both valve and pipe while tightening to prevent unnecessary stresses in the system. The solenoid valve must be fixed via the provided connection points. Only exert force at the designated areas on the body such as the hexagon; never to the coil or armature. Avoid vibration in the pipes. Use a suitable sealant for threaded connections of the solenoid valve. Avoid the entry of thread sealing material in the valve, this can lead to malfunctioning of the valve.

Common Faults and inspection , Troubleshooting

Problem	Solution
Valve fails to operate	1. Check electrical supply with voltmeter, Voltage must agree with nameplate rating.
	2. Check coil with ohmmeter for shorted or opened coil.
	3. Make sure that pressure complies with nameplate rating.
The valve is sluggish or inoperative-electrical supply and pressure check out	1. Disassemble valve; clean out extraneous matter, The plunger must be free to move without binding.
	2. If a diaphragm design, check the diaphragm for tears and/or clogged or obstructed bleed hole or pilot orifice. Torn diaphragm must be replaced.
	3. Check all springs. If broken, replace.
External leakage at sleeve flange or joint between body and cover	Check that the sleeve and/or cover screws are torqued to specifications. If leakage persists, replacement of diaphragm assembly or fange O-ring may be required and/or bodies or covers with damaged sealing surfaces may have to be replaced.
External leakage at speed control device	Check O-rings for damage and replace if necessary.
Internal leakage	1. Disassemble valve, remove extraneous matter, and clean parts in a mild soap and water solution.
	2. Examine diaphragm sealing surface for dirt. Remove all foreign particles. Examine orifice for damage. Damaged parts must be repaired or replaced.
	3. Check plunger return spring. Replace if broken.
Chatter or buzz sound when energized	1. Remove power from the coil.
	2. Inspect the plunger and sleeve for excessive wear or contamination

Seeking For Global Distributors



dc DELCO

Specialized Control Valve Manufacturer



DELCO VALVE CO.LTD

Phone: +86-159 8960 2972

Website: www.delcofluid.com / www.delcovalves.com / www.delcovalve.ru

E-mail: sales@delcofluid.com

Address: Building 8A#, Tiansheng Industrial Park, Wanjiang Street, Dongguan, China

