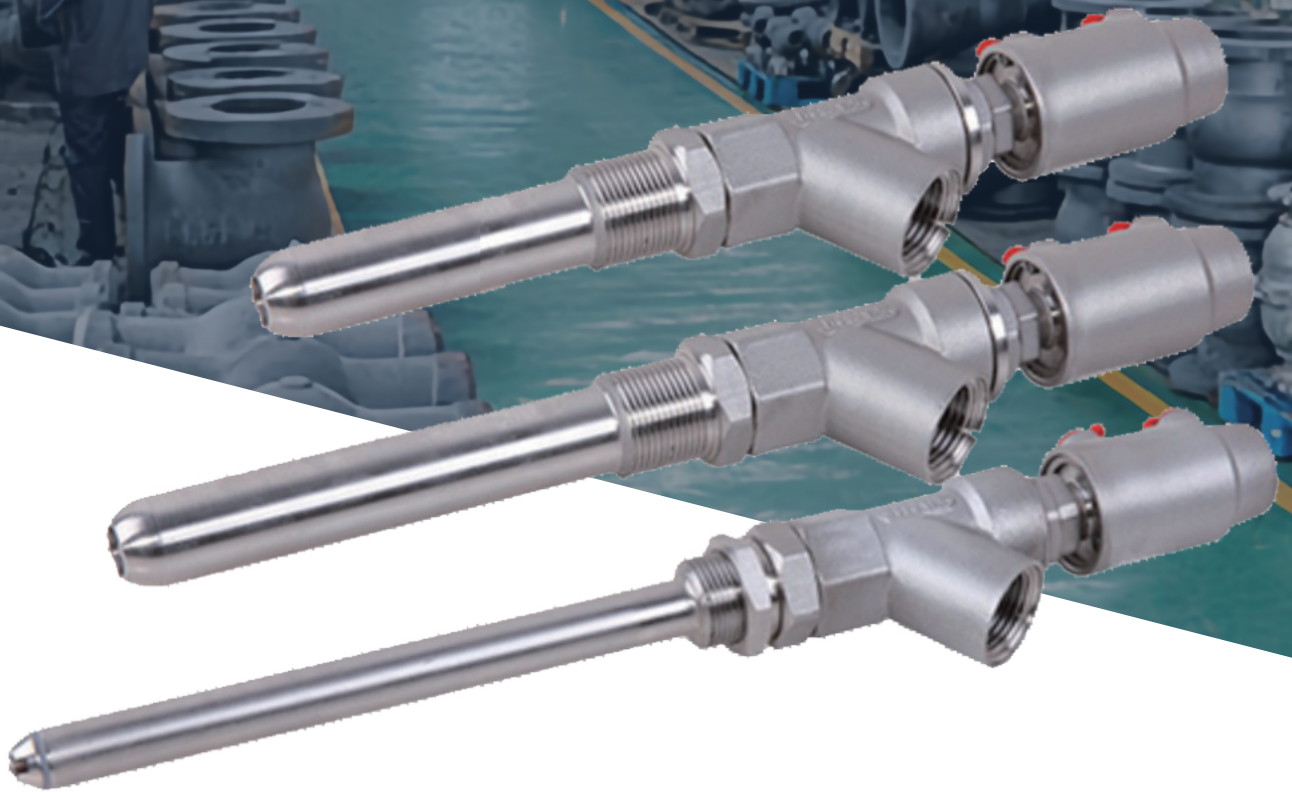


Pneumatic Filling Valve INSTRUCTION MANUAL



dc DELCO

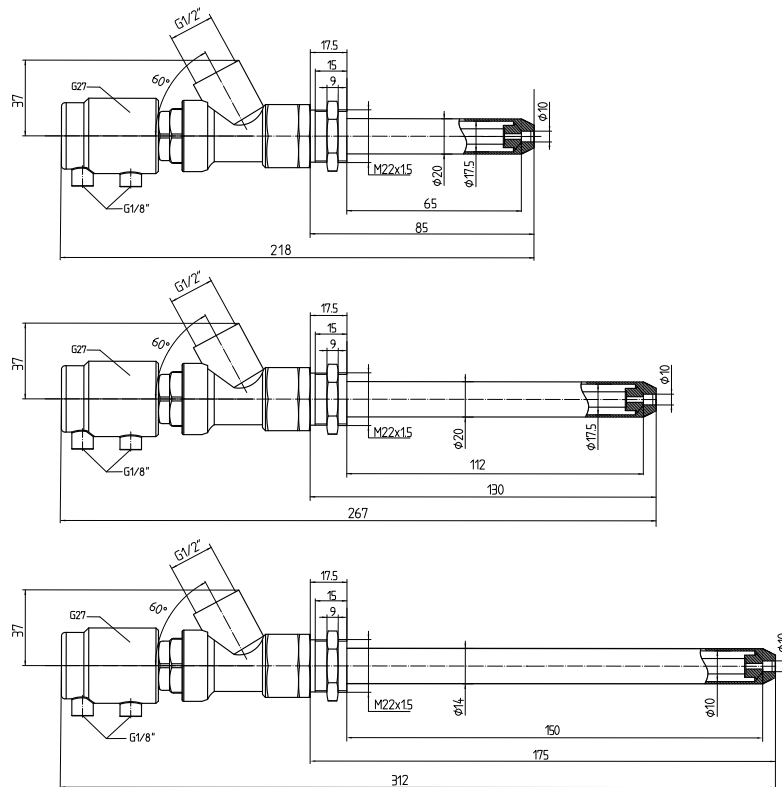
Specialized Control Valve Manufacturer



Technical Parameters

Spring Acting(with Spring)	Fluid Pressure
Fluid Pressure	0-7bar
Control Pressure	3.8bar~4.2bar
Double Acting(No Spring)	Fluid Pressure
Fluid Pressure	0-7bar
Control Pressure	3bar~3.5bar
Body	Stainless Steel 304, 316
Sealing Material	PTFE
Fluid Temperature	-10°~120°C
Ambient temperature	-20°~60°C
Working Pressure	1.6MPa

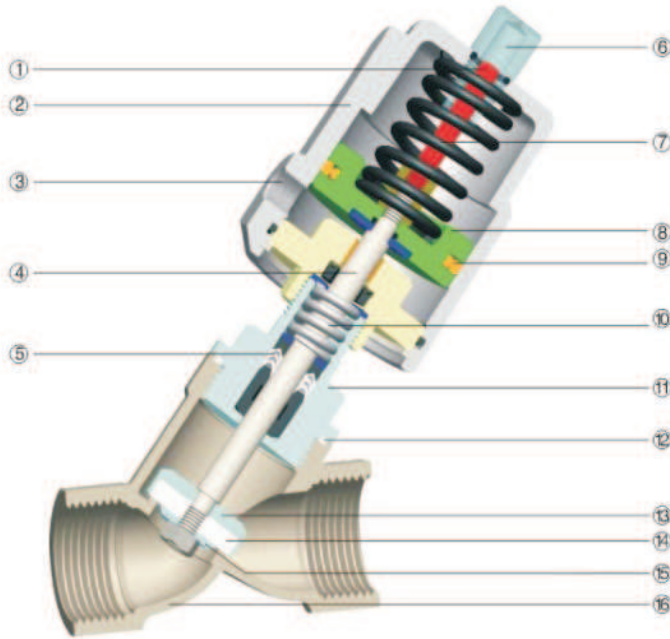
Outline Dimensional Drawing



Advantages

This valve is widely used on drinks filling machinery
 The long filling gun is specially designed for high viscosity fluid
 Fast filling accurate and steady performance.
 Compact design could be assembled in a small space
 No dripping during working because of special sealing design.

Uses and Stuctural Features of Product



- ① Indication Rod(nylon)
- ② Actuator(CF8)
- ③ Pilot Port(1/8")
- ④ Stem(AISI316/304)
- ⑤ Stem Seal(PTFE)
- ⑥ Cap(PC)
- ⑦ Spring(Steel 65Mn)
- ⑧ Piston(Alu,alloy)
- ⑨ Piston Seal (Viton)
- ⑩ Seal Spring(AISI304)
- ⑪ ConnectingPiece(CF8M/CF8)
- ⑫ Body Seal (PTFE)
- ⑬ Valve core(CF8M/CF8)
- ⑭ Seat(PTFE)
- ⑮ Gasket(AISI316/304)
- ⑯ Body(CF8M/CF8)

Products Performance Specifucation



Applications

- ◆ Beer & Drinks Filling Machinery
- ◆ Textile Printing & Dyeing
- ◆ Gas Industry
- ◆ Pharmacy & Medical Equipment
- ◆ Chemical Industry
- ◆ Disinfection
- ◆ Frothing Equipment
- ◆ Waters/Sewage Disposal

Advantages

- ◆ Large Flux,low Resistance,No Water-hammer
- ◆ Y-type Shape Enlarged The Flowing Section, which Could Raise The Flux By 30% And Make Flow More Smooth
- ◆ Super Long Life
- ◆ Which Help The Stem Adjust And Lubricate Itself Automatically.
- ◆ The Cylinder Material Is Stainless Steel. lubricating Automatically 360°Rolling Freely.

Techical Data

Fluid Pressure	Max 1.6 MPa (232PSI)
Control Pressure	0.3-0.8MPa (43.5-116PSI)
Control Fluid	Neutral Gas,Air
Body Material	DF8M/CF8
Seals Material	PTFE
Actuator Material	CF8
Actuator Size	40mm, 50mm, 63mm, 90mm, 125mm
Applicable Fluid	Water,Alcohol,Oil,Fuel,Steam,Neutral gas or liquid,Organic Solvent,Acid and lye
Fluid Viscosity	Max 600mm/s
Fluid Temperature	-10°C--+180°C, 25°C--+220°C
Ambient Temperature	-10°C--+180°C
Control Type	Normally Closed, Normally Open, Double Acting
Connection	Threaded (BSP,BSPT,NPT) ,Welded, Flanged, Tri-Clamp

Warning: When tightening any connections to the valve, DO NOT use the actuator as leverage. Doing so may damage the joint between the actuator & valve.

Connection to Fluid Supply

1. Connect the fluid supply & outlet to the lower ports
2. Connect the controlling air supply to the ports on the actuator body, For double acting valves, air supplied to the lower port will open the valve, and air supplied to the upper port will close the valve

General Notes

This valve is designed to be controlled by air flow on/v. Any kind of compatible fluid may flow through the main valve body.

Fluid can flow either way through the main valve body, However, it is optimal to have the flow enter from the higher port (above seat). To reduce water hammering, the flow orientation may be switched to have the flow enter from the lower port (below seat). Please review the specification charts on pages 4 & 5 for the working pressure limits for each orientation.

The pin on top of the valve inside of the top cap (see page 2) acts as a position indicator for the valve. The pin will pop up into the top cap when the valve is open.

Reference Figures



Figure 1

2KS-1/2. Single Actuator port, with two valve Body ports.



Figure 2

2KD-1/2. Double Actuator port, with two valve Body ports.

Seeking For Global Distributors



dc DELCO

Specialized Control Valve Manufacturer



DELCO VALVE CO.LTD

Phone: +86-159 8960 2972

Website: www.delcofluid.com / www.delcovalves.com / www.delcovalve.ru

E-mail: sales@delcofluid.com

Address: Building 8A#, Tiansheng Industrial Park, Wanjiang Street, Dongguan, China

