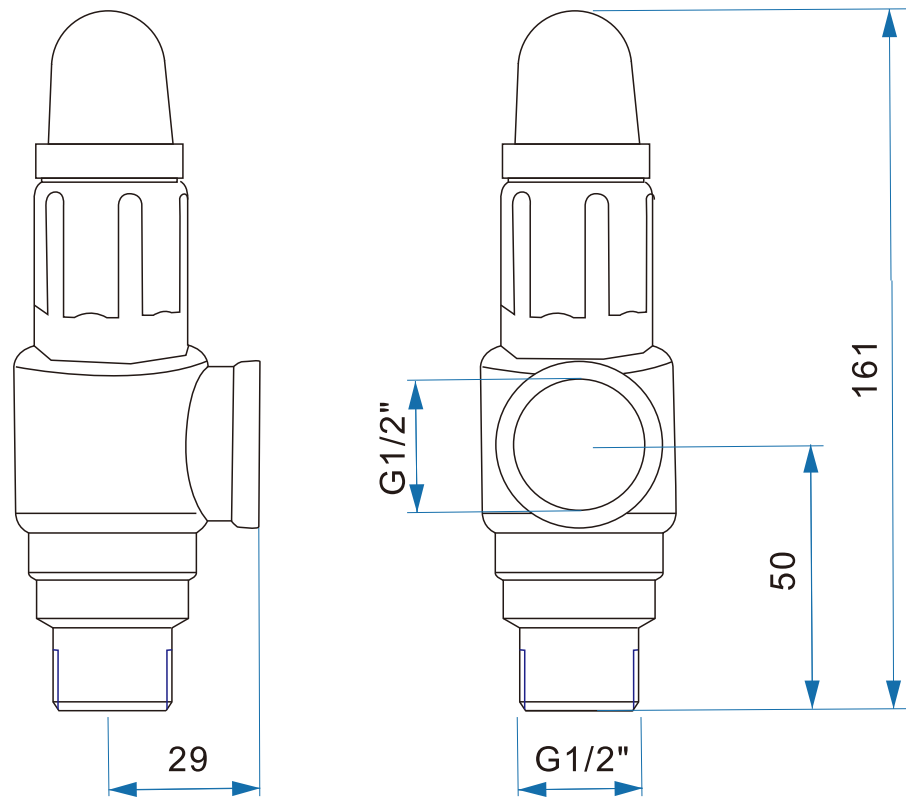


ZONE		REV	DESCRIPTION	DATE	APPROVED



TOLERANCE
UNLESS OTHERWISE SPECIFIED
DECIMALS: .0 ± .1
.00 ± .01
.000 ± .005
ANGLES: MACH. ±1°00'
FORMED ±2°
FRACTIONS: ± 1/16"

APPROVED BY
BOND

CHECKED BY
JULIA

DRAWING BY
C L

DELCO VALVE CO.,LTD				
TITLE G1/2" Safety Relief Valve				
FSCM:		DWG NO.		REV A
SIZE mm	SCALE 1:1	SHEET ⊗ ◁	SHEET 1 OF 1	