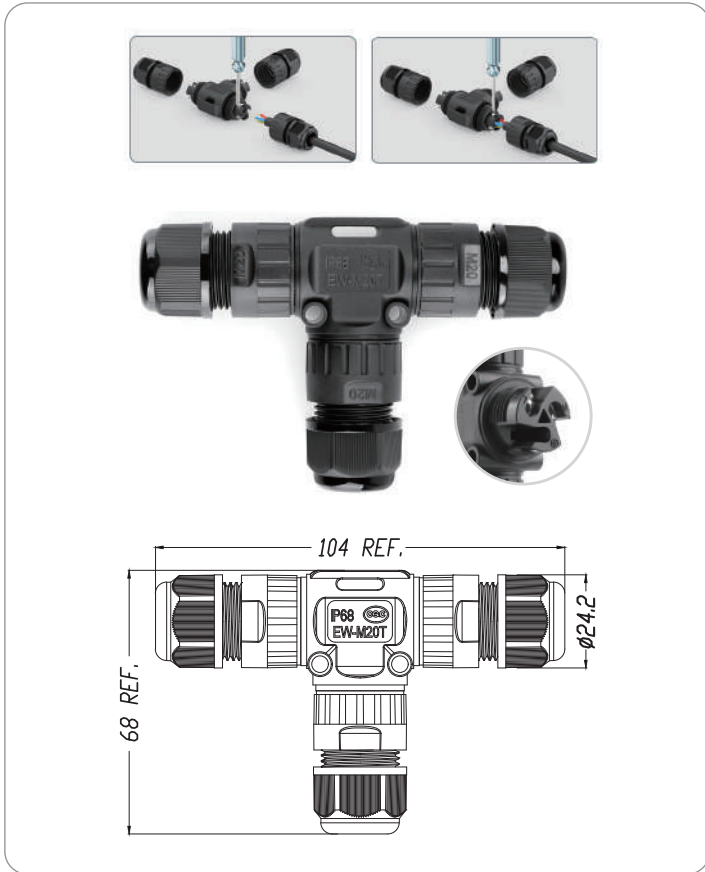


# IP68 Waterproof Connector



## EW-M20T-XP

(X can be 2/3/4, denoting the number of poles)

Wiring methods:

Screw wiring

Housing Material: PA66

Seal Ring Material: Silicone Rubber

Terminal Material: Copper alloy

IP Rating: IP68

Fire Rating: UL94 V-0

Rated Voltage: 400V

Rated Current: 24A

Wire Section: 0.5~2.5mm<sup>2</sup>

Outer Cable Diameter: 5-9mm, 9-12mm

Ambient Temperature: -40°C~105°C

Warranty: 3 Years

## Packaging

Export Carton (L\*W\*H): 42\*30\*34cm

Quantity: 25pcs / PE PACK

250pcs / CTN

Gross Weight: EW-M20T-2P --- 17.3KGs

EW-M20T-3P --- 18KGs

EW-M20T-4P --- 19KGs

## Options

Number of Poles	2Pin	3Pin	4Pin
Seal ring			
Cable range	5~9mm	9~12mm	
Stripping length	6~8 mm		



## Installation Illustration

