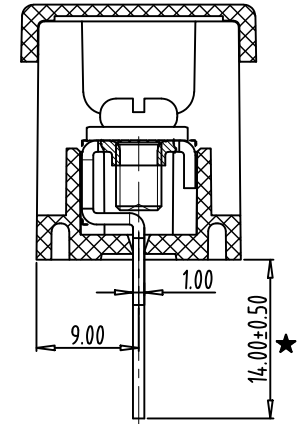
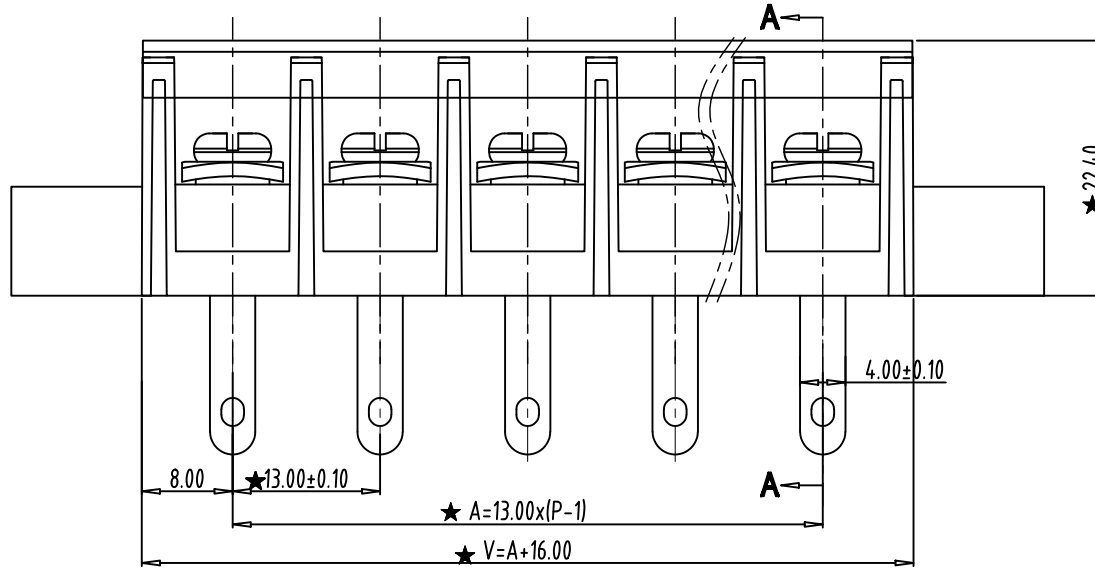
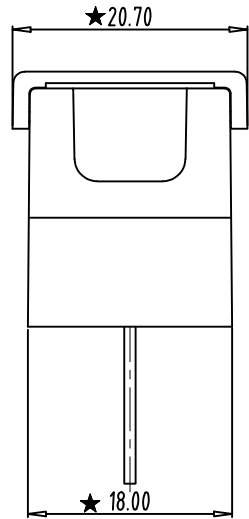
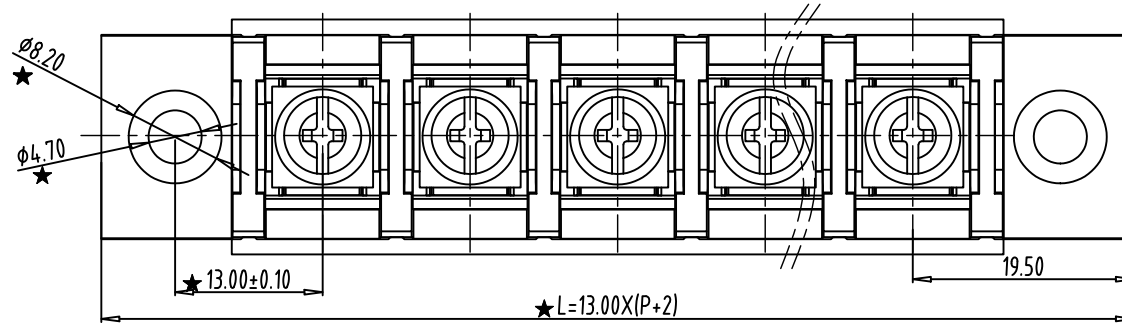


NOTES:

1. Rating: **600V,40A**
2. Insulation Withstands Voltage: AC2000V/MIN
3. Insulation Resistance: 500MΩ or more at DC500V
4. Using Temperature Range: -40°C/+105°C
5. Screw Torque Value: 1.2N.m
6. Suitable Electric Wire: 18-10AWG
7. "★" the important dimension.



SECTION: A-A

Total Pitch Tolerances in mm										Nominal dimension range in mm										⊥	≡	-	//		
over 0	over 30	over 53	over 70	over 90	over 115	over 150	over 250	over 350	over 500	over 0	over 30	over 53	over 70	over 90	over 115	over 150	over 200	over 250	over 320	over 0	over 10	all	over 0	over 100	over 150
±0.18	±0.20	±0.25	±0.30	±0.35	±0.40	±0.50	±0.60	±0.70	±0.85	±0.20	±0.25	±0.30	±0.35	±0.40	±0.45	±0.55	±0.70	±0.80	±0.90	0.2	0.3	0.3	0.2	0.3	0.5

ITEM	NAME OF PART		NO. OF PART	Q'TY	MATERIAL			NOTE		
DWG.	ZX	DATE		SIZE	A4	UNITS	mm	SHEET/OF	1 / 1	
CHK.		DATE		SCALE	1.5:1					
APP.		DATE								
Xiamen Fucon Electronics Co.LTD					NAME					CM-78H-A
					DWGNO.					