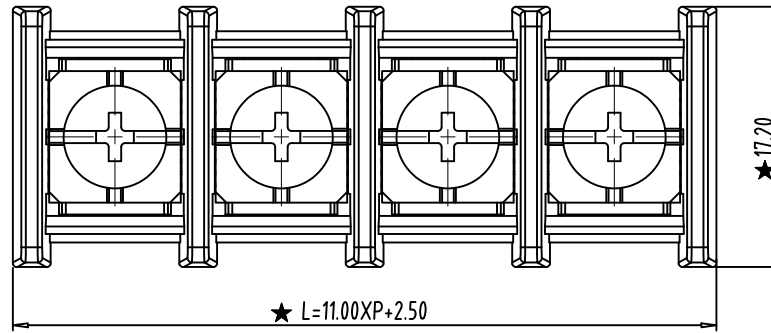
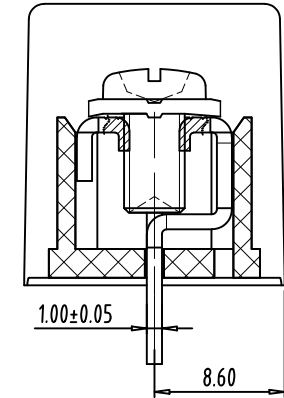
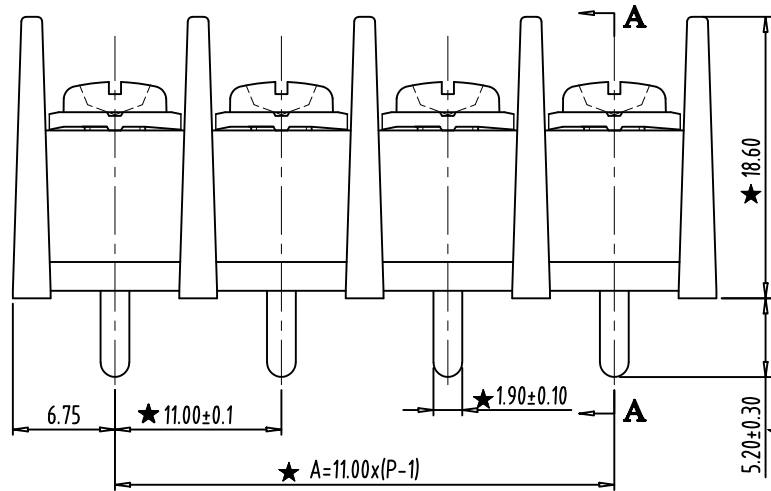
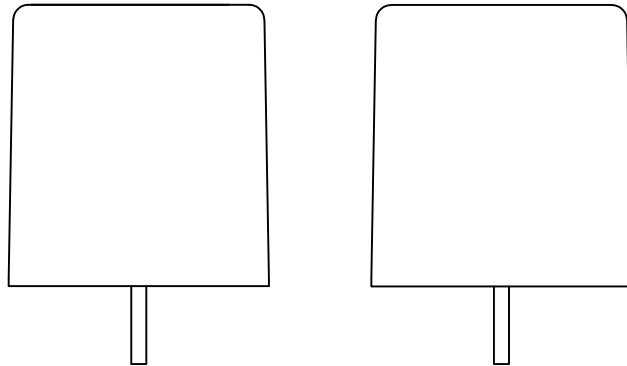


PCB LAYOUT



NOTES:

1. Rating: 300V 30A;
2. Insulation Withstands Voltage: AC2000V/MIN
3. Insulation Resistance: 500MΩ or more at DC500V
4. Using Temperature Range: -40°C/+105°C
5. Screw Torque Value: 1.2N.m
6. Suitable Electric Wire: 22-10AWG



SECTION: A-A

Total Pitch Tolerances in mm										Nominal dimension range in mm										⊥	≡	—	//						
over 0	over 30	over 53	over 70	over 90	over 115	over 150	over 250	over 350	over 500	over 0	over 30	over 53	over 70	over 90	over 115	over 150	over 200	over 250	over 320	over 0	over 10	over 100	over 150	0	100	150	0	100	150
to 30	to 53	to 70	to 90	to 115	to 150	to 250	to 350	to 500		to 30	to 53	to 70	to 90	to 115	to 150	to 200	to 250	to 320		to 10	to 100	to 150		0.2	0.3	0.3	0.2	0.3	0.5
±0.18	±0.20	±0.25	±0.3	±0.35	±0.44	±0.60	±0.70	±0.85		±0.20	±0.25	±0.30	±0.35	±0.44	±0.55	±0.70	±0.80	±0.90		0.2	0.3	0.3		0.2	0.3	0.3	0.2	0.3	0.5

ITEM	NAME OF PART		NO. OF PART	Q'TY	MATERIAL			NOTE	
DWG.	ZX	DATE		SIZE	A4	UNITS	mm	SHEET/OF	1 / 1
CHK.		DATE		SCALE	2:1				
APP.		DATE							
Xiamen Fucon Electronics Co.LTD					NAME		CM-65C-B		
					DWGNO.				