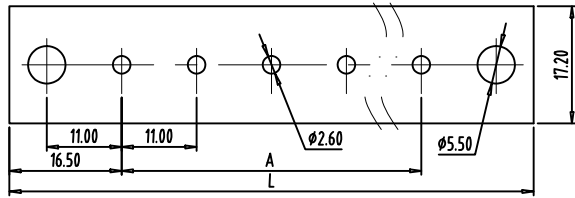
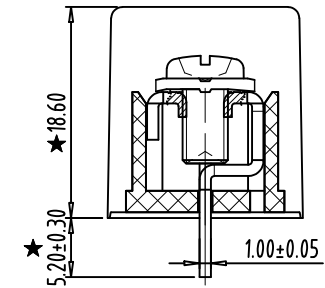
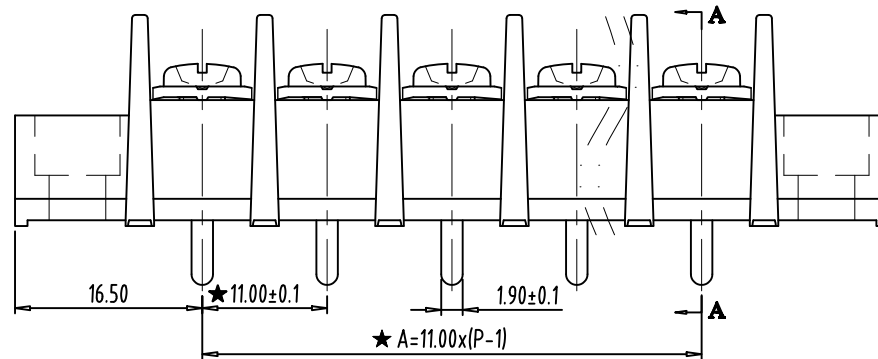
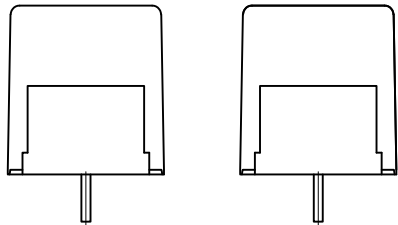
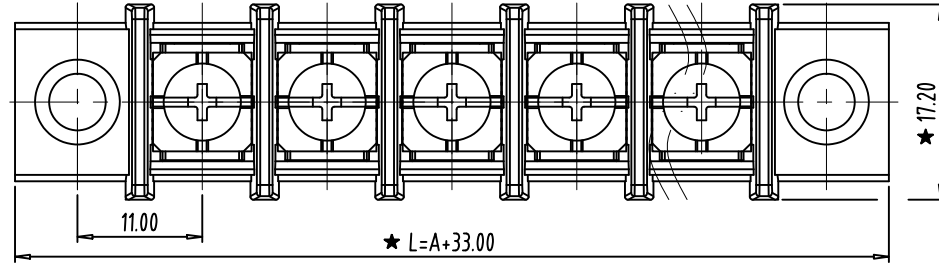


REV	CONTENT	CHK	DATE
V0.0	CONTENT	SK	2014-08-12



PCB LAYOUT



SECTION: A-A

NOTES:

1. Rating:300V 30A;
2. Insulation Withstands Voltage:AC2000V/MIN
3. Insulation Resistance:
500MΩ or more at DC500V
4. Using Temperature Range:-40°C/+105°C
5. Screw Torque Vlaue: 1.2N.m
6. Suitable Electric Wire: 22-10AWG
- 7, " ★ " the important dimension.

DIM \ P	2	3	4	5	6	7	8	9	10
L	44.0	55.0	66.0	77.0	88.0	99.0	110.0	121.0	132.0
A	11.0	22.0	33.0	44.0	55.0	66.0	77.0	88.0	99.0

Total Pitch Tolerances										Nominal dimension range										⊥		≡		—		//	
in mm										in mm																	
over	over	over	over	over	over	over	over	over	over	over	over	over	over	over	over	over	over	over	over	over	over	over	over	over	over	over	over
0	30	53	70	90	115	150	250	350	500	0	30	53	70	90	115	150	200	250	320	0	10	0	100	0	100	0	150
to	to	to	to	to	to	to	to	to	to	to	to	to	to	to	to	to	to	to	to	to	to	to	to	to	to	to	to
30	53	70	90	115	150	250	350	500	30	53	70	90	115	150	200	250	320	10	10	100	100	150	0.2	0.3	0.3	0.5	
±0.18	±0.20	±0.25	±0.3	±0.35	±0.44	±0.60	±0.70	±0.85	±0.20	±0.25	±0.30	±0.35	±0.44	±0.55	±0.70	±0.80	±0.90	0.2	0.3	0.3	0.2	0.3	0.5				

ITEM	NAME OF PART		NO. OF PART	Q"TY	MATERIAL			NOTE	
DWG.	SK	DATE	2014-08-12	SIZE	A4	UNITS	mm	SHEET/OF	1 / 1
CHK.		DATE		SCALE	1.5:1				
APP.		DATE							
Xiamen Fucon Electronics Co.LTD					NAME		CM-65C-A		
					DWGNO.				