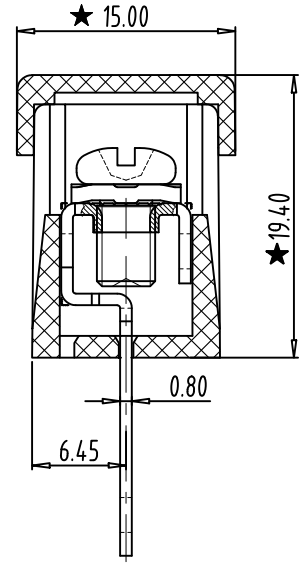
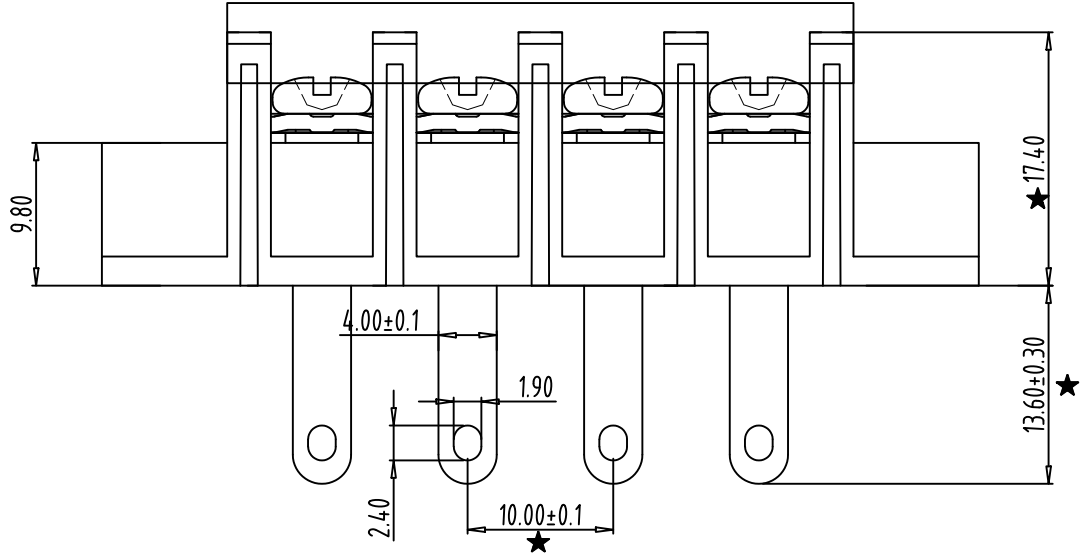
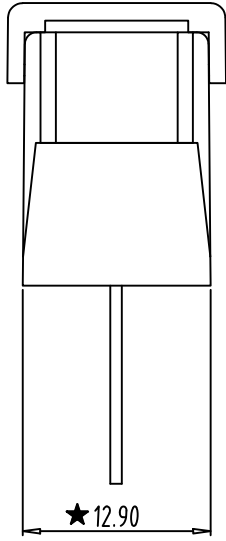
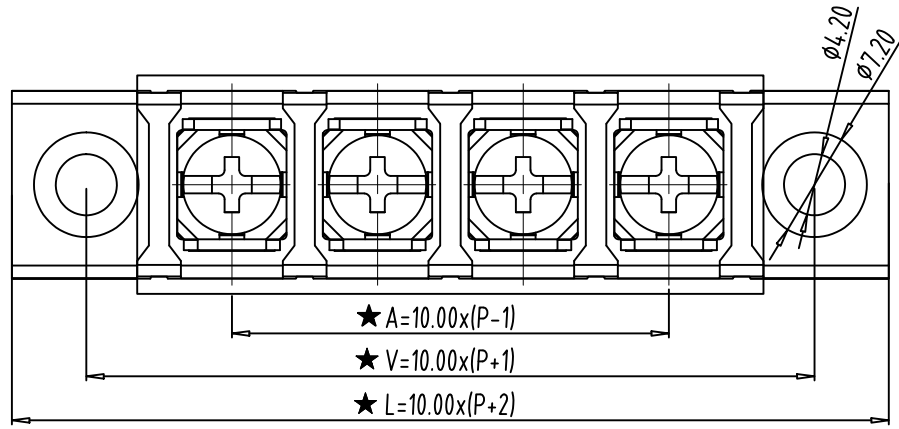


NOTES:

1. Rating:300V 20A;
2. Insulation Withstands Voltage: AC2000V/MIN
3. Insulation Resistance: 500MΩ or more at DC500V
4. Using Temperature Range: -40°C/+105°C
5. Screw Torque Value:1.2N.m
6. Suitable Electric Wire: 12-22AWG
- 7, "★" the important dimension.



Total Pitch Tolerances in mm										Nominal dimension range in mm										⊥	≡	—	//								
over 0	over 30	over 53	over 70	over 90	over 115	over 150	over 250	over 350	over 500	over 0	over 30	over 53	over 70	over 90	over 115	over 150	over 200	over 250	over 320	over 0	over 10	all	over 0	over 100	over 150	0.2	0.3	0.3	0.2	0.3	0.5
±0.18	±0.20	±0.25	±0.3	±0.35	±0.4	±0.60	±0.70	±0.85	±1.00	±0.20	±0.25	±0.30	±0.35	±0.4	±0.55	±0.70	±0.80	±0.90	±1.00	0.2	0.3	0.3	0.2	0.3	0.5						

ITEM	NAME OF PART	NO. OF PART	Q'TY	MATERIAL	NOTE
DWG.	ZX	DATE	SIZE	A4 UNITS mm	SHEET/OF 1/1
CHK.		DATE	SCALE		
APP.		DATE			
Xiamen Fucon Electronics Co.,LTD				NAME CM-58H-A	
				DWGNO.	