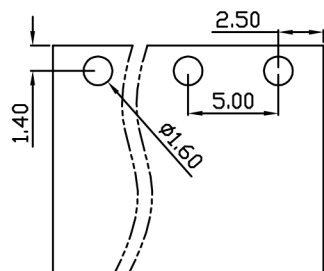


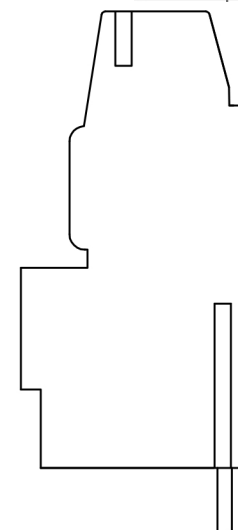
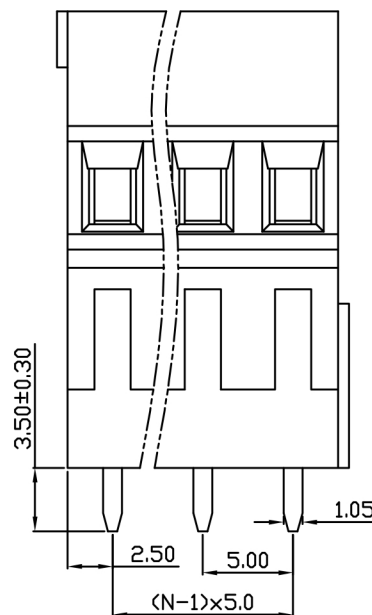
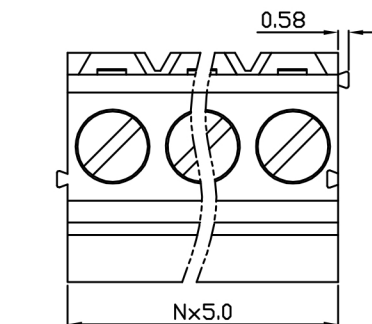
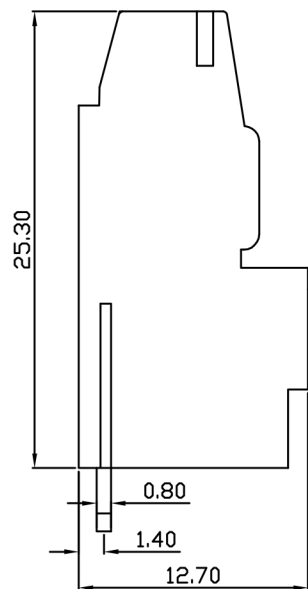
linear dimension(Tolerances Standard GB/T 14486-2008)

—  $\square$   $\perp$

variable range	to 6	over 6 to 10	over 10 to 30	over 30 to 60	over 60 to 100	over 100 to 160	over 160 to	to 10	over 10 to 100	over 100 to
tolerance	±0.20	±0.30	±0.50	±0.70	±1.00	±1.30	±1.60	0.10	0.30	0.60



PCB Layout



4	Pin Header	Copper Alloy	Sn Plated	
3	Screw	Steel	M3/Zn Plated	
2	Cage	Copper Alloy	M3/Ni Plated	
1	Housing	PA66	UL94V-0	
ITEM	NAME OF PART	MATERIAL	NOTES	
UL 标准/UL Standard:		B	C	D
额定电压/电流/Rated Voltage(V)/Current(A)		300/20	/	/
IEC 标准/IEC Standard:				
过压类别/Overvoltage Category/污染等级/Pollution Degree		III/2	III/2	II/2
额定电压/电流/Rated Voltage(V)/Current(A)		/	250/18	/
工频耐压/Withstanding Voltage(V/min)		/	AC2000	/
螺丝扭矩/Torque Tightening(N·m/Lb.in)		M3, 0.5/4.43		
线径范围(硬线和软线)/Wire Range(rigid and flexible)(mm <sup>2</sup> /AWG)		1.0~2.5/30~12		
间距/Pitch(mm)/线数范围/Poles		5.0/N=02~24P		
剥线长度/Stripping length(mm)		6-7		
使用温度范围/Operating temperature(°C)		-40~+105		
符合RoHS环保要求/Conform to RoHS		Yes		

**FUCON**

Xiamen Fucon Electronics Co.,LTD

**CM-500H-5.0**

APPD: J Ting Chen 2022.11.25

CHKD: Duck Mao 2022.11.25

DRFT: Steven Lu 2022.7.20



SIZE: A4

mm  
(inch)

REV TO-1

TYPE: CUSTOMER\_DRAWING

SCALE: 1:1

SHEET 1/1