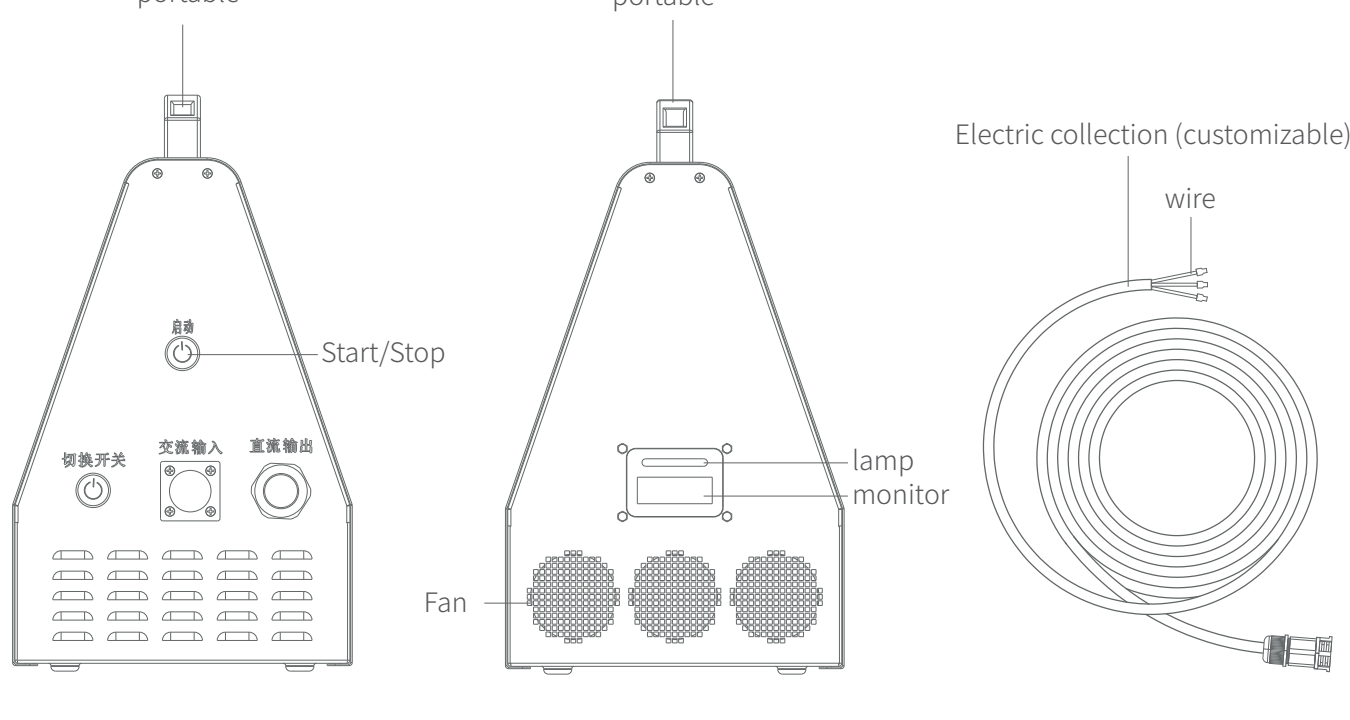
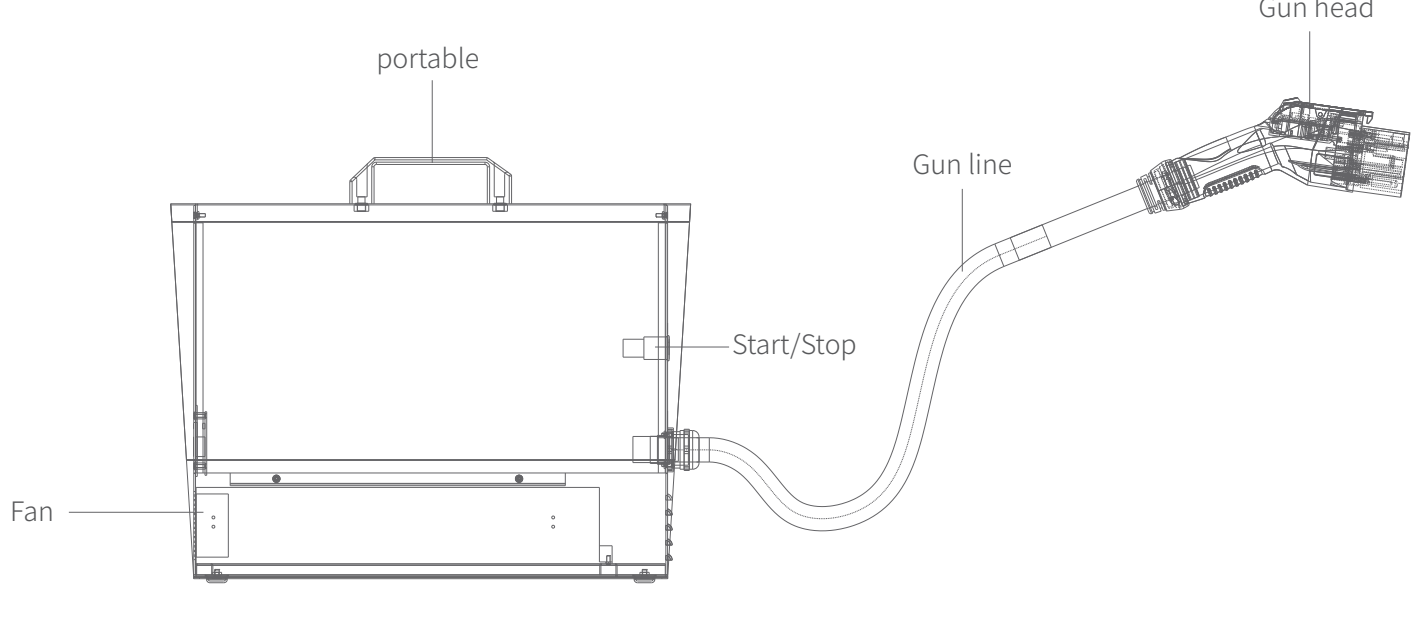


DC small DC 7KW portable charging station (Type B)



Parameter/specification sheet

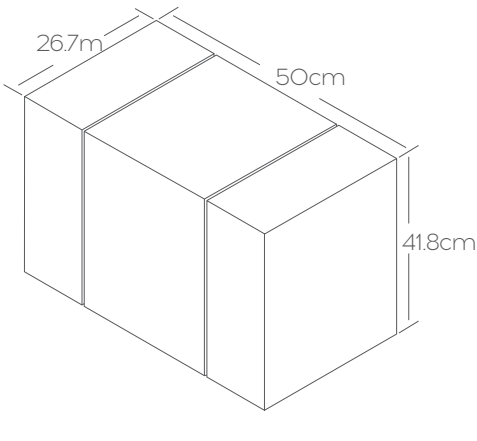
- Voltage range: 176VAC~264VAC
- Input format: single-phase L/N+PE
- Rated output power :7KW
- Protection functions: overvoltage, undervoltage, overcurrent, short circuit, leakage protection, etc
- IP Rating :IP54
- Charging Port :GB/T 20234.2-2015
- Cable Length :3 meters (can be customization)
- Working Environment:Max. altitude: ≤2000m; Temperature: -20°C~50°C
- Dimension:475mm*120mm*304mm
- Number of charging guns: 1
- Working Temperature :-30°C to 55°C
- Relative Humidity :5% - 95% RH (non-condensing)
- Communication Protocols :OCPP 1.6 / OCPP 2.0
- Output Standard :GB/T
- Design standard: GB/T 18487.1



usage method

1. Plug in the input plug
2. Turn on the air switch
3. Insert the charging gun head into the vehicle body
4. Open the start button and turn on the monitor
5. After charging is complete, click "Shut Down" to end the charging process Unplug the charging plug
6. Unplug the input plug

Box specifications/weight, quantity, size



Length 50, Width 26.7, Height 41.8(cm)
weight: ≈20kg

Product packaging

