

SLA-4B1L1-65

Ultra-lightweight Anti-interference Antenna

◆ PRODUCT INTRODUCTION

Adopting adaptive anti-interference processing algorithm, it can eliminate interference signals without any auxiliary information; it has the ability to resist various types of suppression interference, including single carrier, white noise, BPSK, pulse, sweep frequency and other types of interference; it supports single-channel RF output and can be directly connected to the RF input port of an ordinary receiver.

◆ FEATURES

- * High integration: 4-element antenna, LNA, and anti-jamming processing
- * Ultra-lightweight: Total weight less than 160g
- * Highly adaptable: Suitable for various unmanned equipment platforms
- Excellent waterproofing: All antenna housing connections are sealed with waterproof gaskets
- Simple and easy to use: Operates immediately upon power-up without requiring any external information

◆ APPLICATIONS



Naval and Coast Guard Platforms



Armored Land Vehicles



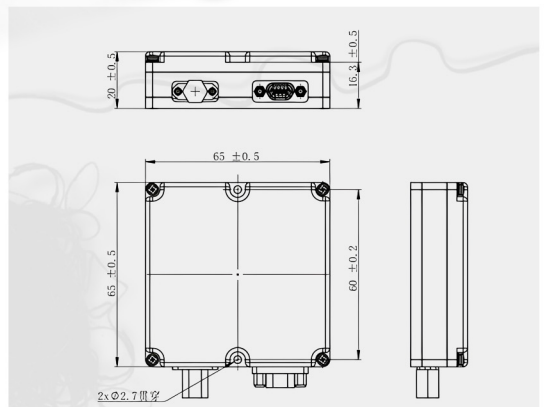
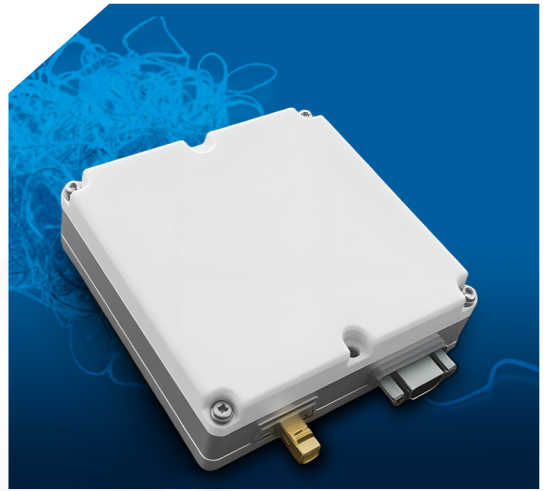
Critical Infrastructure EW Protection



Maritime EW Protection



Military Communications



PERFORMANCE

Parameters	Index	Remark
Operating Frequency	BDS B1I /GPS L1/Galileo E1	1561±2MHz 1575±2MHz
Positioning mode	B1L1E1 multi-mode joint positioning	Support single BDS, GPS positioning
Serial Port 0	Output navigation information, LVTTTL level	Customizable TTL or 422 level
Serial port 1	For debugging, LVTTTL level	
Data update rate	1Hz default	Configurable from 1 to 10 Hz
Serial port rate	38400 default	Configurable from 9600 to 230400
Data Output	NMEA0183-4.0	For receiver specifications, please refer to the ublox official website.
Power supply	DC 9~36V±10%	
Power consumption	≤4.8w	
Weight	≤160g	
Built-in receiver	ublox: M10	
Anti-interference performance	Single Interference: ≥105dB	
	Dual interference: ≥90dB	
RF output characteristics	Output	SMA-KF
	Impedance	50Ω
	Gain	40±5dB
Storage temperature	-40°C~+65°C	
Operating temperature	-40°C~+65°C	