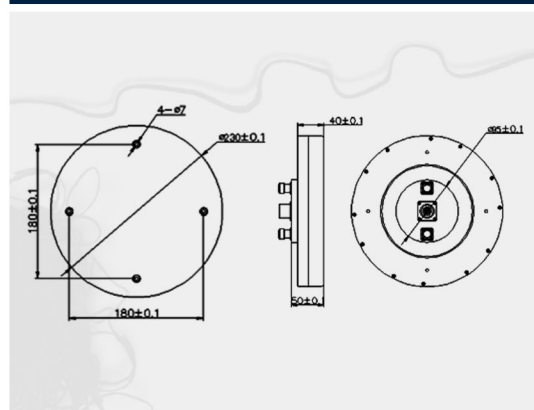


# TYA230-8B1L1

## Anti-interference antenna array



### ◆ PRODUCT INTRODUCTION

TYA230-8B1L1 integrates 8 BDS B1/L1 receiving antenna, an RF receiving module, and an anti-jamming processing module to output interference-free RF signals. This antenna can simultaneously resist up to 7 jamming signals from different directions.

### ◆ FEATURES

\* Compact integrated design - Combines antenna, RF and anti-jamming modules in one unit, meeting the requirements for high reliability and low cost.

\* Reliable performance - Ensures stable GNSS reception in electromagnetic environments

### ◆ APPLICATIONS



Naval and Coast Guard Platforms



Armored Land Vehicles



Critical Infrastructure EW Protection



Maritime EW Protection



Military Communications

## PERFORMANCE

Category	Parameters	Indicator	Remarks
Channel Frequency	GPS L1/BDS B1I	1575.42±2MHz 1561.098±2MHz	
	Anti-interference treatment	8-element B1L1 anti-interference	
Radio Frequency	Output	Twin channel TNC-K	Can be directly
Property	Impedance	50Ω	Connected to the general purpose -GNSS receiver such as Ublox Novatel etc.
	Antenna Gain	40±5dB	
	Standing-wave ratio (SWR)	≤2.0	
	Noise factor	≤3.0	
Embedded GNSS	Ublox M10	1~10Hz, Baudrate 38400	
Electrical Interface JY27496E	Power Supply	9~36V	
	Power Consumption	≤25W	
	232 Serial Port	115200(for debugging)	
Anti-interference Property	Type	White noise, BPSK, sweep frequency, pulse, SW, etc	
	Single interference	110dB	
	Triple interference	100dB	
	Six interference	90dB	
	Seven interference	85dB	
Physical Property	Storage Temperature	-40°C~+85°C	
	Operating Temperature	-40°C~+85°C	
	Weight	≤2000g	