

SLA65-4B1L1

Ultra-lightweight Anti-interference Antenna

◆ PRODUCT INTRODUCTION

Adopting adaptive anti-interference processing algorithm, it can eliminate interference signals without any auxiliary information; it has the ability to resist various types of suppression interference, including single carrier, white noise, BPSK, pulse, sweep frequency and other types of interference; it supports single-channel RF output and can be directly connected to the RF input port of an ordinary receiver.

◆ FEATURES

- * High integration: 4-element antenna, LNA, and anti-jamming processing
- * Ultra-lightweight: Total weight less than 160g
- * Highly adaptable: Suitable for various unmanned equipment platforms
- Excellent waterproofing: All antenna housing connections are sealed with waterproof gaskets
- Simple and easy to use: Operates immediately upon power-up without requiring any external information

◆ APPLICATIONS



Naval and Coast Guard Platforms



Armored Land Vehicles



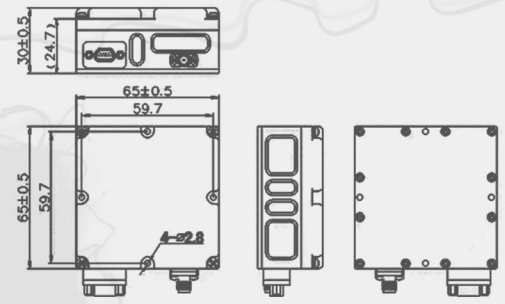
Critical Infrastructure EW Protection



Maritime EW Protection



Military Communications



PERFORMANCE

Parameters	Index	Remark
Operating Frequency	BDS B1I /GPS L1/Galileo E1	1561±2MHz 1575±2MHz
Positioning mode	B1L1 dual-mode joint positioning	Support single BDS, GPS positioning
Serial Port 0	Output navigation information, 232 level	Connector J30J-9zkp
Serial port 1	For debugging, 232 level	
Data update rate	1Hz	1~10Hz
Serial port rate	38400	Default value
Data Output	NMEA0183	
Power supply	DC 9~36V±10%	
Power consumption	≤6W	
Weight	≤160g	
Built-in receiver	ublox: MAX-M10S	For receiver specifications, please refer to the ublox official website.
Anti-interference Standard Version	Single Interference: ≥105dB Dual interference: ≥90dB Three interference: ≥75dB	
RF output characteristics	Output Impedance: 50Ω Gain: 40±5dB VSWR: ≤2.0 Noise Figure: ≤5.0	Outputs interference-free RF signals, which can be directly connected to common GNSS receivers, such as Ublox, Novatel, etc.
Storage temperature	-40°C~+85°C	
Operating temperature	-40°C~+85°C	