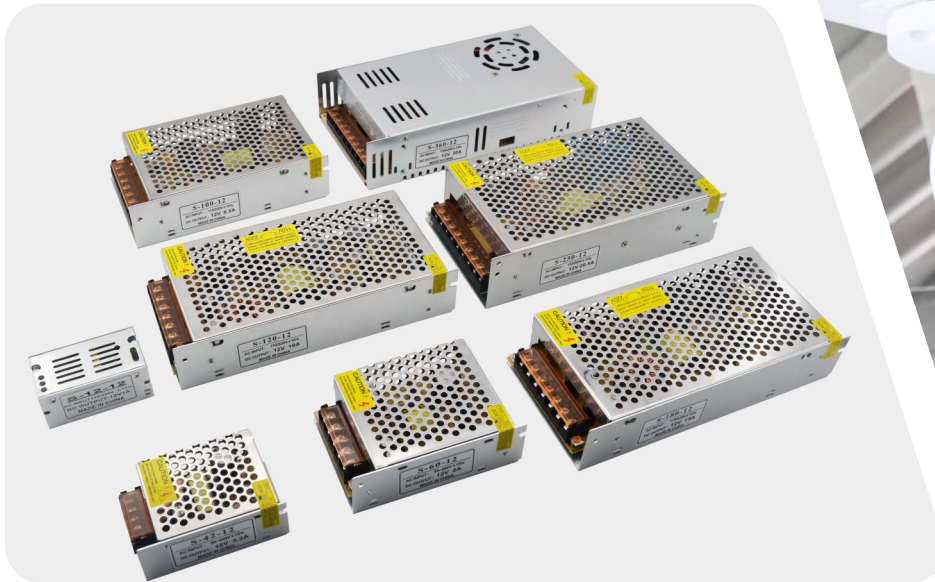


SS MESH TYPE STANDARD POWER SUPPLY

12V/24V 25W- 600W



*Industrial Automation, LED Lighting, Medical Equipment, Security Systems, Consumer Electronics

FEATURE

- ◎ 100% full load, 100% aging test
- ◎ Wide Input Voltage Range, 100-240V AC Input
- ◎ Multiple Output Options, 5V 12V 24V 36V
- ◎ Compact Design, mesh type aluminum shell
- ◎ Low Ripple and Noise, Versatile Applications
- ◎ All 100% new component, long life and high reliability

PRODUCT PARAMETERS

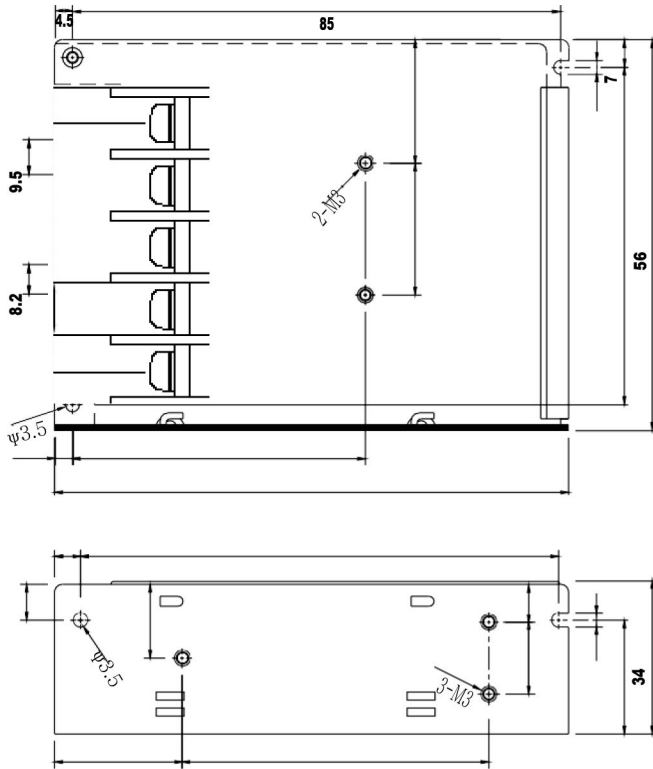


Model	Pout	Vin	Vout	Iout	Effi	IP	Size(mm)	Pcs/Ctn
SS-25-12	25W	100-240V AC	DC12V/24V	2.0A/1.0A	93%	IP20	85*59*33	200
SS-36-12	36W	100-240V AC	DC12V/24V	3.0A/1.5A	93%	IP20	85*59*33	200
SS-60-12	60W	100-240V AC	DC12V/24V	5.0A/2.5A	93%	IP20	110*78*36	60
SS-120-12	120W	100-240V AC	DC12V/24V	10.0A/5.0A	93%	IP20	159*98*42	60
SS-180-12	180W	100-240V AC	DC12V/24V	15.0A/7.5A	93%	IP20	198*98*42	50
SS-250-12	250W	100-240V AC	DC12V/24V	20.8A/10.0A	93%	IP20	200*109*50	36
SS-360-12	360W	100-240V AC	DC12V/24V	30.0A/15.0A	93%	IP20	200*109*50	36
SS-500-12	500W	100-240V AC	DC12V/24V	41.7A/20.0A	93%	IP20	214*114*50	36
SS-600-12	600W	100-240V AC	DC12V/24V	50.0A/25.0A	93%	IP20	245*120*65	21

Order now
www.mijiled.en.alibaba.com

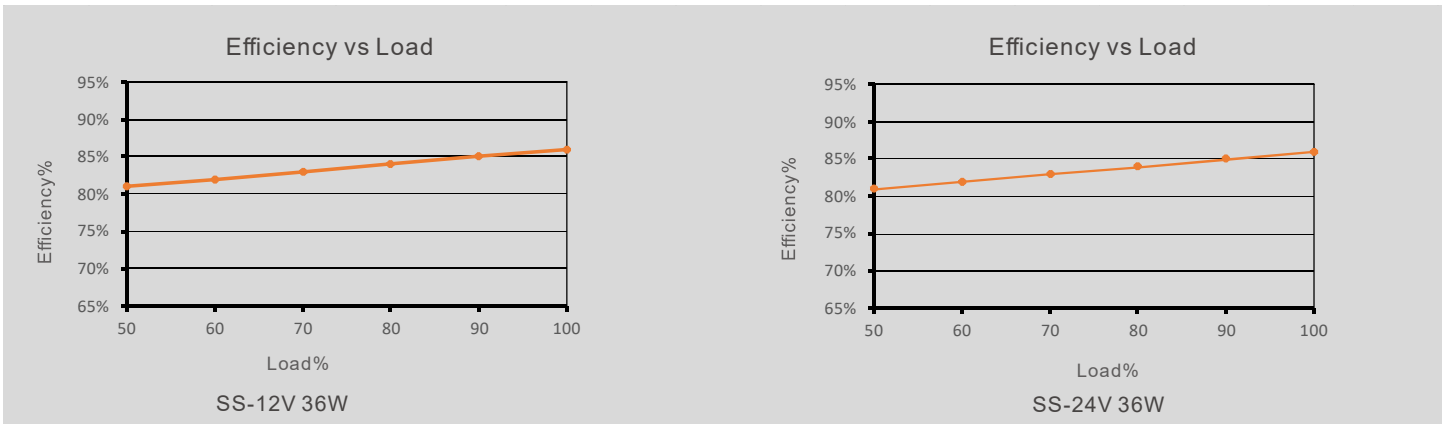
MODEL	LED POWER SUPPLY	SS-36W 12V	SS-36W 24V
OUTPUT	Output voltage	12V DC	24V DC
	Output voltage range	12VDC±0.5VDC	24VDC±0.5VDC
	Output Current	Max 3.0A	Max 1.5A
	Output power	Max 36W	
	Output power range	0~36W	
	Ripple & Noise	≤120mV	≤240mV
	Linear Regulation	±1%	
	Load Regulation	±1%	
	Start-up Time (Typ)	600ms/230VAC	
	Hold Up Time(Typ)	100ms/230VAC	
INPUT	Input voltage	200-240Vac	
	Frequency	50/60Hz	
	Input current	0.52A/230Vac	
	Power factor	PF>0.8	
	No-load power consumption	≤3W	
	Efficiency (typ.)	91%	93%
	Inrush current(typ.)	Cold start 50A at 230Vac	
	Control surge capability	L,N:2KV L,N-PE:4KV	
	Leakage current	Max. 0.5mA	
ENVIRONMENT	Working temperature	ta: -30°C~ 50°C tc: 80°C	
	Working humidity	20 ~ 99%RH, condensing (Waterproof)	
	Storage temp., humidity	-40°C ~ 80°C, 10~95%RH	
PROTECTION	Overtemperature	Protection type: Turn off the output voltage, after the temperature drops, re-energize to restore.	
	Over load protection	Shut down the output when current load above 110%~150%, auto recovers.	
	Short circuit protection	Protection type: It can be automatically restored after the fault is eliminated.	
SAFETY&EMC	Withstand voltage	I/P-O/P:3750Vac	
	Isolation resistance	I/P-O/P: 100MΩ/500VDC/25°C/70%RH	
	Safety standards	IEC/EN61347;IEC/EN60950;IP67	
	EMC Test Standards	EN55015: 2013;EN61547: 2009; EN61000-3-2:2014; EN61000-3-3:2013	
Reliabilityand Quality Control	Impact aging	100% of the product is fully loaded and impacted for 4 hours under an environment of at least 40°C±5°C	
	Component derating	Under the steady-state conditions of rated input and output, the stress of components will not exceed its maximum nominal value	
NOTE	<p>1.All parameters not specifically mentioned are measured at 230VAC input, rated load and 25°C ambient temperature.</p> <p>2.Ripple and noise test method: connect 0.1uF and 47uF capacitors in parallel at the terminal, and measure under 20MHZ bandwidth.</p> <p>3.Ensure that the power supply is used under the rated parameters and environment.</p>		

SS-36W 12V



Terminal Pin No. Assignmnet

Pin No.	Assignmnet	Pin No.	Assignmnet
1	AC/L	5	DC OUTPUT +V2
2	AC/N	4	DC OUTPUT G1
3	FG		



Packaging Information

DIMENSION	85*56*34(LxWxH)
PACKING	91*59*37(LxWxH)
PCS/CTN	200pcs
CARTON SIZE	540*260*430(LxWxH)
WEIGHT	135g±10g/PCS

