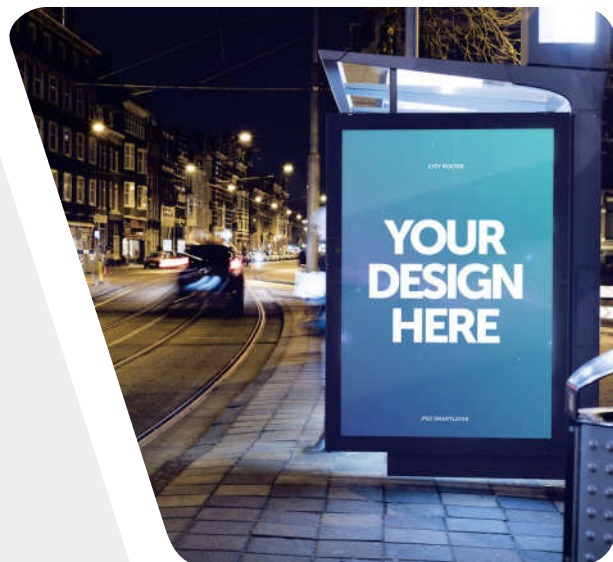
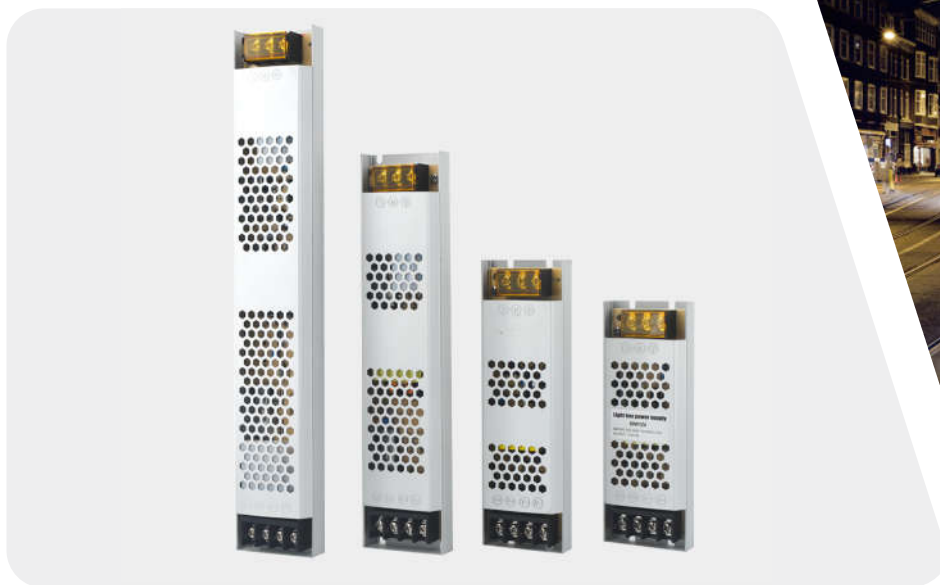


DX SLIM LIGHTING BOX SERIES

12V/24V 60W- 400W



*LED Strip Lights, Commercial Lighting, Neon and Accent Lighting, LED Signs and Lightboxes, Smart Home Lighting

FEATURE

- ◎ Two years warranty
- ◎ 100% Load burn-in test
- ◎ Built-in EMI filter
- ◎ Output over-voltage, over-current and short-circuit protection
- ◎ Ultra slim design, suitable narrow install
- ◎ Low output ripple and noise
- ◎ Average no trouble working >20,000 hours

PRODUCT PARAMETERS



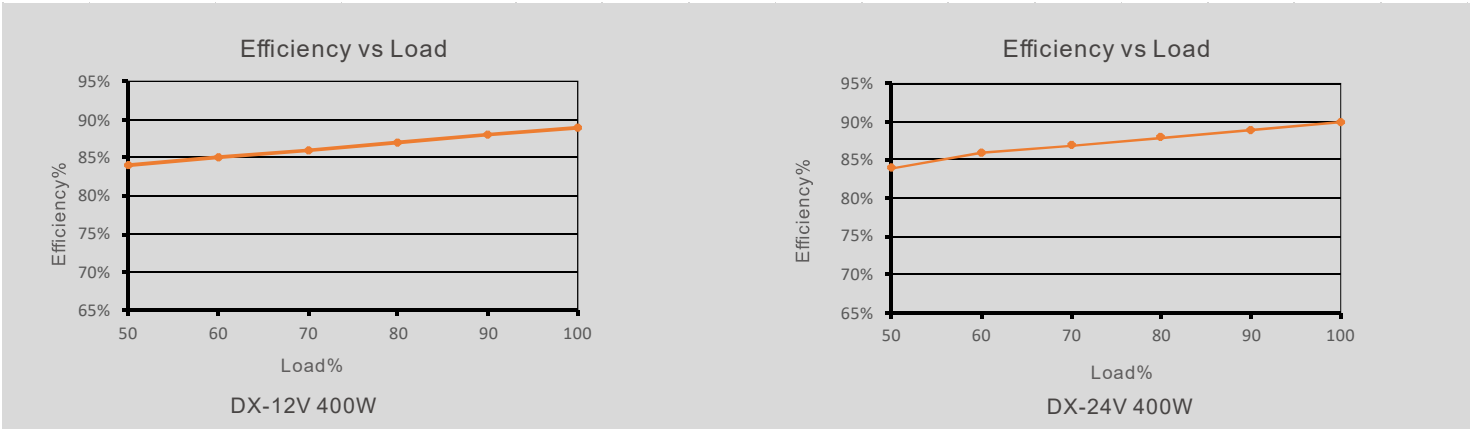
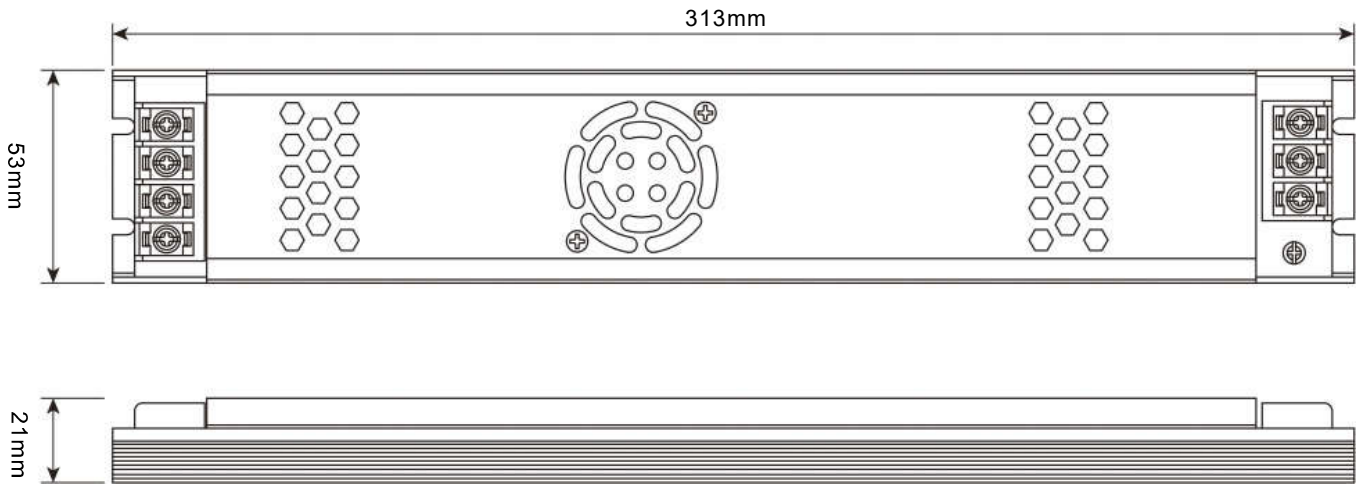
Model	Pout	Vin	Vout	Iout	Effi	IP	Size(mm)	Pcs/Ctn
DX-60-12	60W	200-240V AC	DC12V/24V	5.0A/2.5A	89%	IP20	148*53*21	85
DX-100-12	100W	200-240V AC	DC12V/24V	8.3A/4.1A	89%	IP20	172*53*21	85
DX-150-12	150W	200-240V AC	DC12V/24V	12.5A/6.25A	85%	IP20	234*53*18	78
DX-200-12	200W	200-240V AC	DC12V/24V	16.7A/8.3A	85%	IP20	313*53*21	60
DX-300-12 FAN	300W	200-240V AC	DC12V/24V	25.0A/12.5A	85%	IP20	313*53*21	60
DX-400-12 FAN	400W	200-240V AC	DC12V/24V	33.0A/16.7A	85%	IP20	313*53*21	60

Order now
www.mijiled.en.alibaba.com

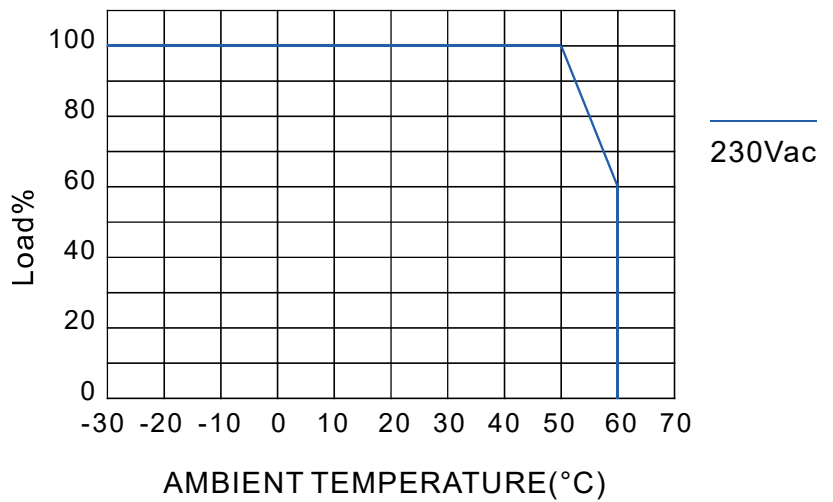
DX SLIM LIGHTING BOX SERIES

Model		DX-400W 12V FAN	DX-400W 24V FAN
OUTPUT	DC voltage	12V	24V
	Rated current	33.3A	16.7A
	Cuttent range	0-33.3A	0-16.7A
	Rated output power	400W	400W
	Ripples and noise	≤200mVp-p	≤300mVp-p
	Output current range	11.5-12.5V	23-25V
	Precision of output voltage regulation	±0.5%	±0.5%
	Rate of lenear adjustment	±0.5%	±0.5%
	Load adjustment rate	±0.5%	±0.5%
	The startup time	≤2s/230VAC	
INPUT	Keep time	10ms/230VAC	
	Voltage range	176-264VAC	
	Frequency range	50Hz	
	Power factor	PF≥0.6/230VAC	
	Efficiency	≥89%	≥91%
	Alternating current	3.4A/230VAC	
	Surge current	50A/230VAC	
	Leakage current	<5mA/230VAC	
PROTECTION	Overload	110%-140%: rated 110%-140% of the total power input protection mode:Auto recovery mode.the system automatically recovers when abnormal load conditions are removed	
	Short circuit	protection mode:Auto recovery mode.the system automatically recovers when abnormal load conditions are removed	
	Over voltage	protection mode:self-recovery mode,automatic recovery when the overvoltage is removed	
	Over temperature	protection mode:self-recovery mode,automatically recover when the temperature drops	
ENVIRONMEN	working temperature	-35~+50°C	
	working humidity	20-90% RH	
	storage temperature;humidity	-30~+85°C; 10~95% RH	
	temperature coefficient	±0.1%/°C(0-35°C)	
	resistance to vibration	10-500Hz, 3G 10min. / 1 cycle, 60 min. each axes	
SAFETY&EMC	safety norms	EN60950 , GB4943.1 -2011	
	withstand voltage	I/P-O/P:1.5KVAC I/P-FG:1.5KVAC O/P-FG:0.5KVAC	
	insulation impedance	I/P-O/P, I/P-FG, O/P-FG:100M Ohms / 500VDC / 25°C / 70% RH	
	EMC	--	
other	protection grade	IP20	
	MTBF	≥30khour 25°C	
	power supply size	L313*W53*H21mm	
	power supply weight	385g	
NOTE	1.Unless otherwise specified , all specification are measured at an input of 230VAC,rarted negative cut,and ambient temperature of 25°C		
	2.Ripple and noise measurement method:the measured end is connected in parallel with a 0.1uF+10uF capacitor,the oscilloscope is set to 20MHZ bandwidth,and the probe is tested with cap off and full load at 25°C		
	3.Accuracy :includes setting error , linear adjustment rate and load adjustment rate .		
	4. The output power is reduced when the input voltage is less than 200VAC.		

DX-400W 12V FAN



Temperature load curve



Packaging Information

DIMENSION	313*53*21(LxWxH)
PACKING	319*56*24(LxWxH)
PCS/CTN	60pcs
CARTON SIZE	510*320*245(LxWxH)
WEIGHT	385g±10g/PCS