

# XJ-F002

## 20串排线短接方法

### 20-wire connection method

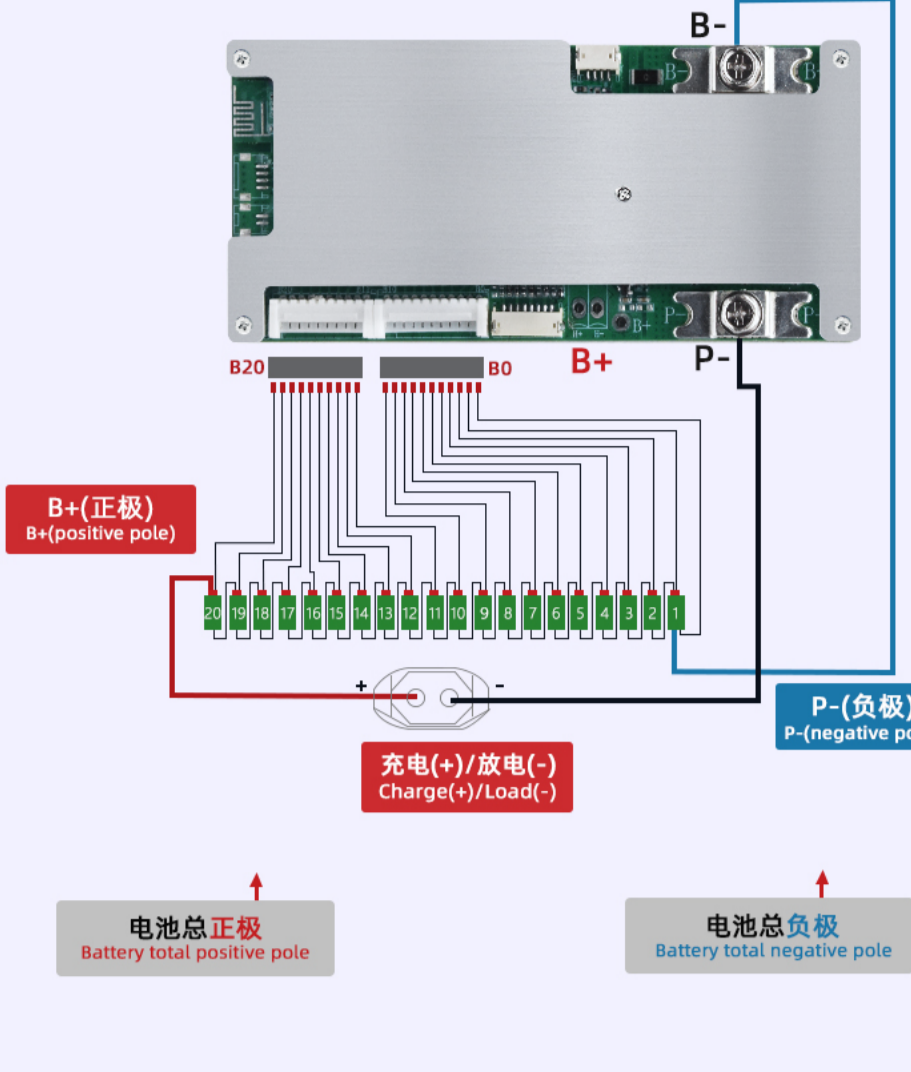
1.准备工作。必须先把排线焊接在电池组上,检查正确后再插到保护板上,不能把排线插到保护板上再一根一根焊在电池组上。

2.从板子上面B0位置开始接线即排线第一根排线开始,第一根线接第一串负极(总负极开始为第一串)再把第2~21根线依次接到每串的正极(依次顺序排列,第21根线刚好在总正极即20串正极)。

Start wiring from the B0 position on the board, that is, start with the first cable. Connect the first cable to the negative pole of the first string (the total negative pole starts from the first string), and then connect the 2nd to 21th cables to the positive pole of each string in sequence (arranged in sequence, the 21th cable is just at the total positive pole, that is, the positive pole of 20 strings).

3.接线时先接B负再接排线,最后接P负到充电器和负载的负极,电池总正接充电器和电池的正极。

When wiring, first connect B negative and then connect the cable, and finally connect P negative to the negative pole of the charger and load, and the battery positive to the positive pole of the charger and battery.

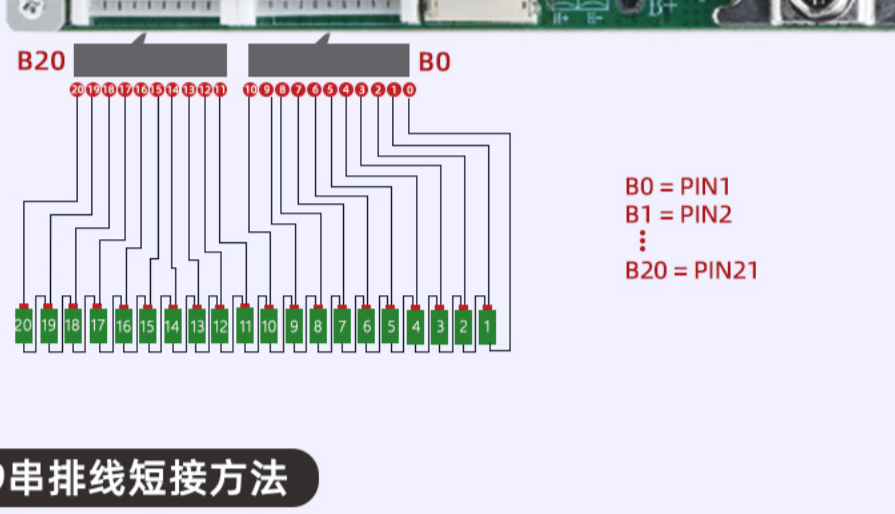


## 20串排线短接方法

### 20-wire connection method

从板子上面B0位置开始接线即排线第一根排线开始,第一根线接第一串负极(总负极开始为第一串)再把第2~21根线依次接到每串的正极(依次顺序排列,第21根线刚好在总正极即20串正极)。

Start wiring from the B0 position on the board, that is, start with the first cable. Connect the first cable to the negative pole of the first string (the total negative pole starts from the first string), and then connect the 2nd to 21th cables to the positive pole of each string in sequence (arranged in sequence, the 21th cable is just at the total positive pole, that is, the positive pole of 20 strings).

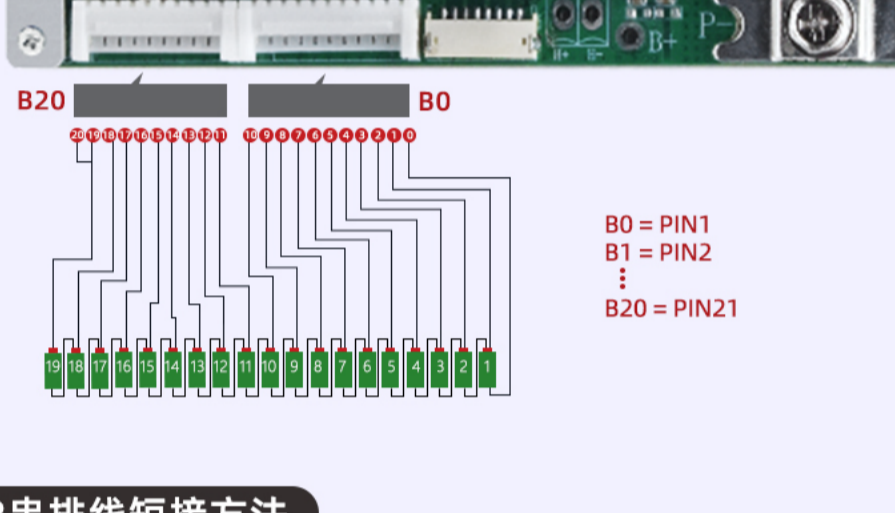


## 19串排线短接方法

### 19-wire connection method

从板子上面B0位置开始接线即排线第一根排线开始,第一根线接第一串负极(总负极开始为第一串),再把第2~19根线依次接到每串的正极,同时剩余的接着第20~21根排线短接到总正极,即第20根~21根线都在19串正极上面。

Start wiring from the B0 position on the board, that is, start with the first cable of the cable. Connect the first cable to the negative pole of the first string (the total negative pole starts from the first string), and then connect the 2nd to 19th cables to the positive pole of each string in turn. At the same time, the remaining cables are short-connected to the total positive pole using the 20th to 21th cables, that is, the 20th to 21th cables are all on the positive poles of the 19 strings.

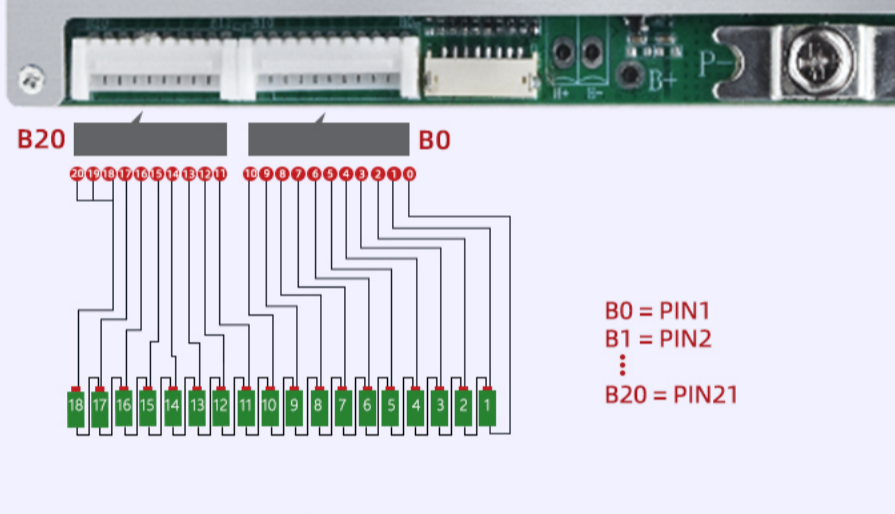


## 18串排线短接方法

### 18-wire connection method

从板子上面B0位置开始接线即排线第一根排线开始,第一根线接第一串负极(总负极开始为第一串),再把第2~18根线依次接到每串的正极,同时剩余的接着第19~21根排线短接到总正极,即第19根~21根线都在18串正极上面。

Start wiring from the B0 position on the board, that is, start with the first cable of the cable. Connect the first cable to the negative pole of the first string (the total negative pole starts from the first string), and then connect the 2nd to 18th cables to the positive pole of each string in turn. At the same time, the remaining cables are short-connected to the total positive pole using the 19th to 21th cables, that is, the 19th to 21th cables are all on the positive poles of the 18 strings.

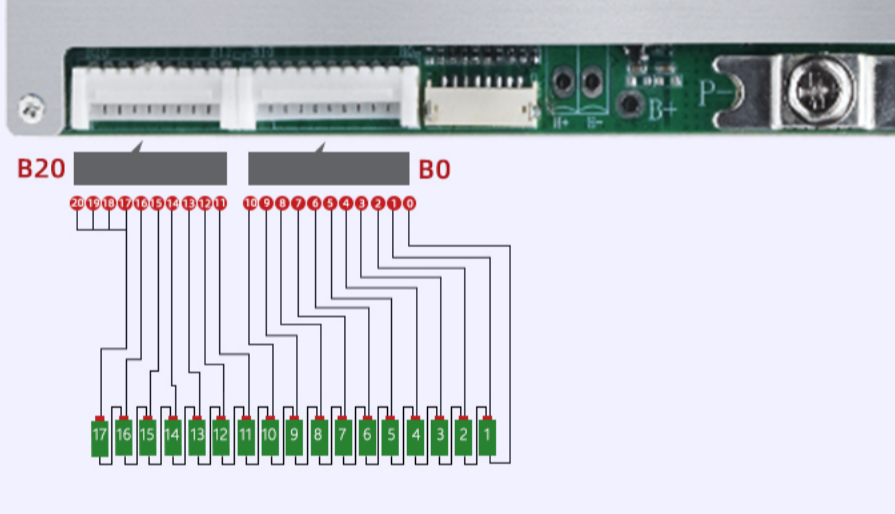


## 17串排线短接方法

### 17-wire connection method

从板子上面B0位置开始接线即排线第一根排线开始,第一根线接第一串负极(总负极开始为第一串),再把第2~17根线依次接到每串的正极,同时剩余的接着第18~21根排线短接到总正极,即第18根~21根线都在17串正极上面。

Start wiring from the B0 position on the board, that is, start with the first cable of the cable. Connect the first cable to the negative pole of the first string (the total negative pole starts from the first string), and then connect the 2nd to 17th cables to the positive pole of each string in turn. At the same time, the remaining cables are short-connected to the total positive pole using the 18th to 21th cables, that is, the 18th to 21th cables are all on the positive poles of the 17 strings.

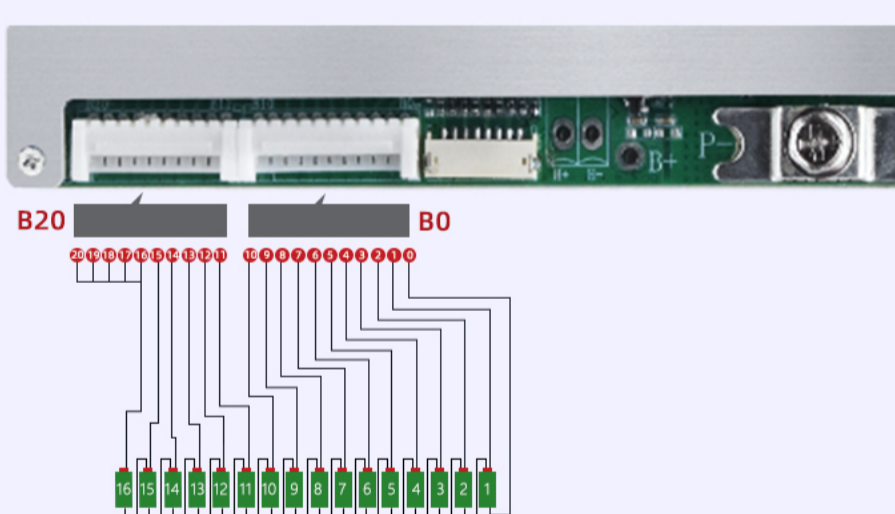


## 16串排线短接方法

### 16-wire connection method

从板子上面B0位置开始接线即排线第一根排线开始,第一根线接第一串负极(总负极开始为第一串),再把第2~16根线依次接到每串的正极,同时剩余的接着第17~21根排线短接到总正极,即第17根~21根线都在16串正极上面。

Start wiring from the B0 position on the board, that is, start with the first cable of the cable. Connect the first cable to the negative pole of the first string (the total negative pole starts from the first string), and then connect the 2nd to 16th cables to the positive pole of each string in turn. At the same time, the remaining cables are short-connected to the total positive pole using the 17th to 21th cables, that is, the 17th to 21th cables are all on the positive poles of the 16 strings.

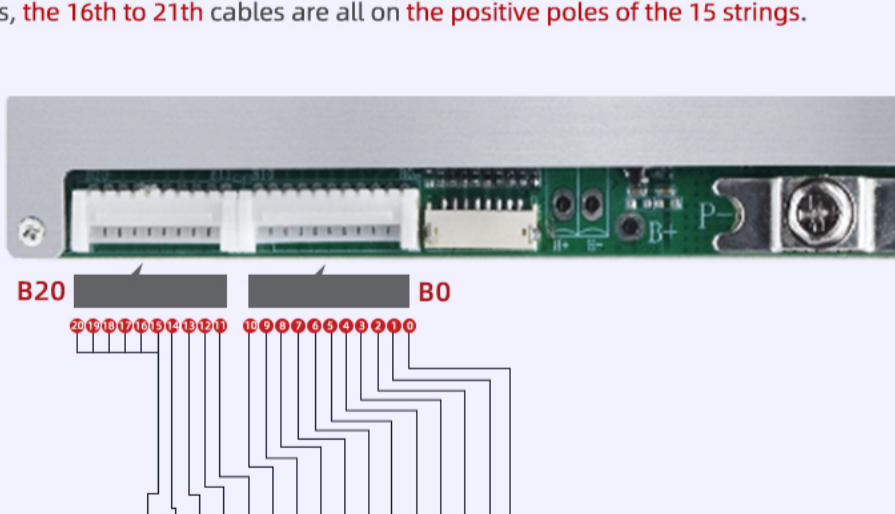


## 15串排线短接方法

### 15-wire connection method

从板子上面B0位置开始接线即排线第一根排线开始,第一根线接第一串负极(总负极开始为第一串),再把第2~15根线依次接到每串的正极,同时剩余的接着第16~21根排线短接到总正极,即第16根~21根线都在15串正极上面。

Start wiring from the B0 position on the board, that is, start with the first cable of the cable. Connect the first cable to the negative pole of the first string (the total negative pole starts from the first string), and then connect the 2nd to 15th cables to the positive pole of each string in turn. At the same time, the remaining cables are short-connected to the total positive pole using the 16th to 21th cables, that is, the 16th to 21th cables are all on the positive poles of the 15 strings.

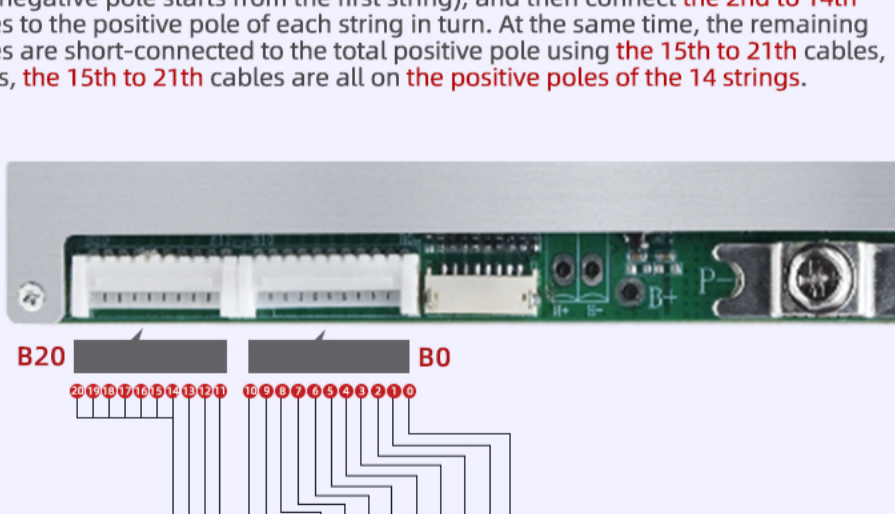


## 14串排线短接方法

### 14-wire connection method

从板子上面B0位置开始接线即排线第一根排线开始,第一根线接第一串负极(总负极开始为第一串),再把第2~14根线依次接到每串的正极,同时剩余的接着第15~21根排线短接到总正极,即第15根~21根线都在14串正极上面。

Start wiring from the B0 position on the board, that is, start with the first cable of the cable. Connect the first cable to the negative pole of the first string (the total negative pole starts from the first string), and then connect the 2nd to 14th cables to the positive pole of each string in turn. At the same time, the remaining cables are short-connected to the total positive pole using the 15th to 21th cables, that is, the 15th to 21th cables are all on the positive poles of the 14 strings.



## 13串排线短接方法

### 13-wire connection method

从板子上面B0位置开始接线即排线第一根排线开始,第一根线接第一串负极(总负极开始为第一串),再把第2~13根线依次接到每串的正极,同时剩余的接着第14~21根排线短接到总正极,即第14根~21根线都在13串正极上面。

Start wiring from the B0 position on the board, that is, start with the first cable of the cable. Connect the first cable to the negative pole of the first string (the total negative pole starts from the first string), and then connect the 2nd to 13th cables to the positive pole of each string in turn. At the same time, the remaining cables are short-connected to the total positive pole using the 14th to 21th cables, that is, the 14th to 21th cables are all on the positive poles of the 13 strings.

