

XJ-F001

24串排线短接方法

24-wire connection method

1.准备工作。必须先把排线焊接在电池组上,检查正确后再插到保护板上,不能把排线插到保护板上再一根一根焊在电池组上。

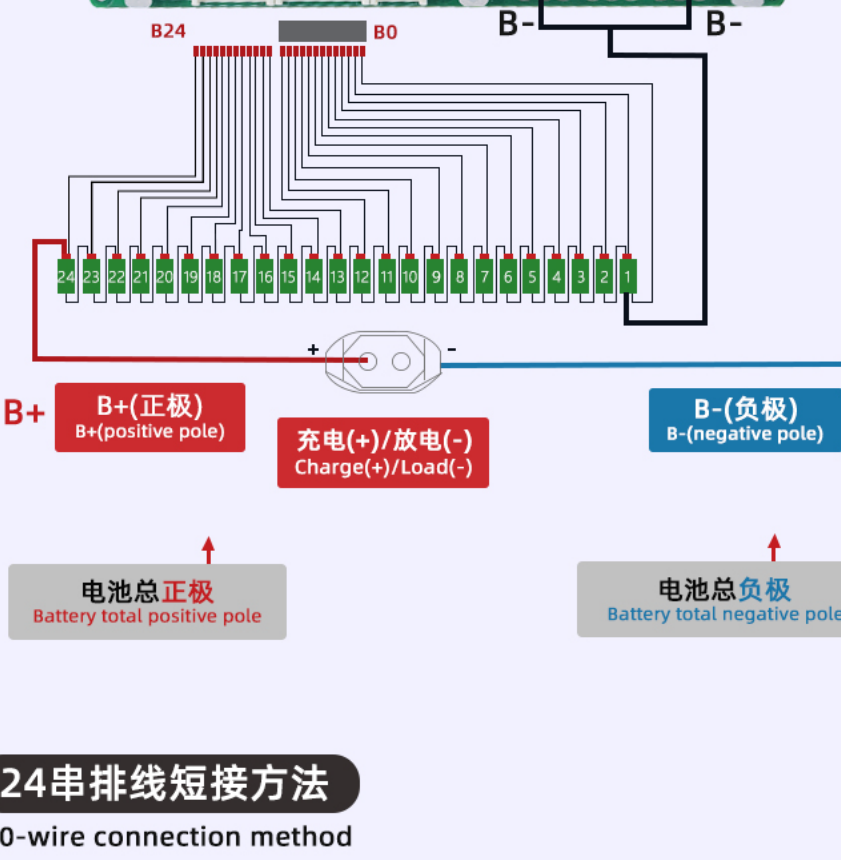
You must first solder the cable to the battery pack, and then plug it into the protection board after checking that it is correct. You cannot plug the cable into the protection board and then solder them one by one to the battery pack.

2.从板子上面B0位置开始接线即排线第一根排线开始,第一根线接第一串负极(总负极开始为第一串)再把第2~25根线依次接到每串的正极(依次顺序排列,第25根线刚好在总正极即24串正极)。

Start wiring from the B0 position on the board, that is, start with the first cable. Connect the first cable to the negative pole of the first string (the total negative pole starts from the first string), and then connect the 2nd to 25th cables to the positive pole of each string in sequence (arranged in sequence, the 25th cable is just at the total positive pole, that is, the positive pole of 24 strings).

3.接线时先接B负再接排线,最后接P负到充电器和负载的负极,电池总正接充电器和电池的正极。

When wiring, first connect B negative and then connect the cable, and finally connect P negative to the negative pole of the charger and load, and the battery positive to the positive pole of the charger and battery.

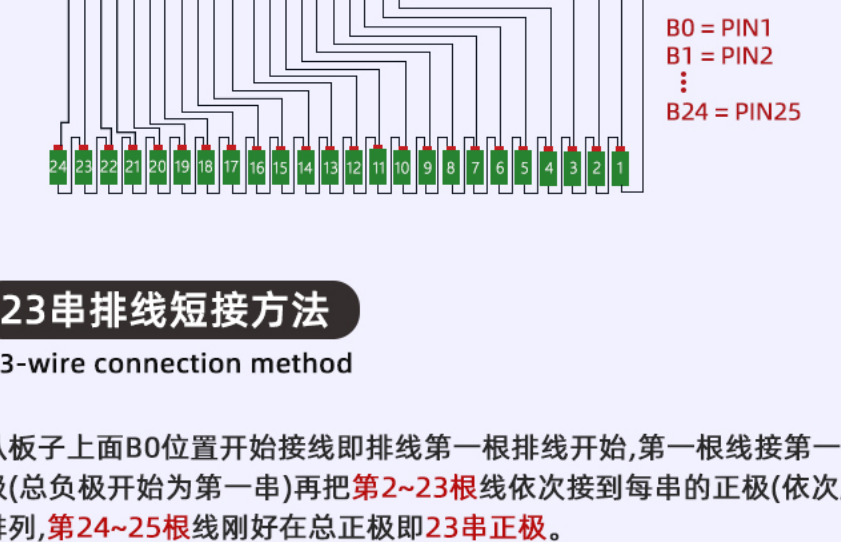


24串排线短接方法

20-wire connection method

从板子上面B0位置开始接线即排线第一根排线开始,第一根线接第一串负极(总负极开始为第一串)再把第2~25根线依次接到每串的正极(依次顺序排列,第25根线刚好在总正极即24串正极)。

Start wiring from the B0 position on the board, that is, start with the first cable. Connect the first cable to the negative pole of the first string (the total negative pole starts from the first string), and then connect the 2nd to 25th cables to the positive pole of each string in sequence (arranged in sequence, the 25th cable is just at the total positive pole, that is, the positive pole of 24 strings).

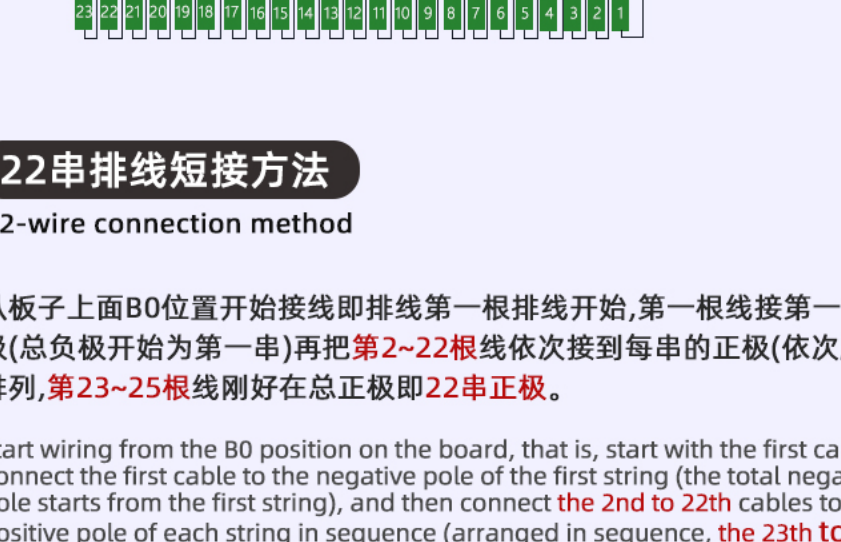


23串排线短接方法

23-wire connection method

从板子上面B0位置开始接线即排线第一根排线开始,第一根线接第一串负极(总负极开始为第一串)再把第2~23根线依次接到每串的正极(依次顺序排列,第24~25根线刚好在总正极即23串正极)。

Start wiring from the B0 position on the board, that is, start with the first cable. Connect the first cable to the negative pole of the first string (the total negative pole starts from the first string), and then connect the 2nd to 23th cables to the positive pole of each string in sequence (arranged in sequence, the 24th to 25th cable is just at the total positive pole, that is, the positive pole of 23 strings).

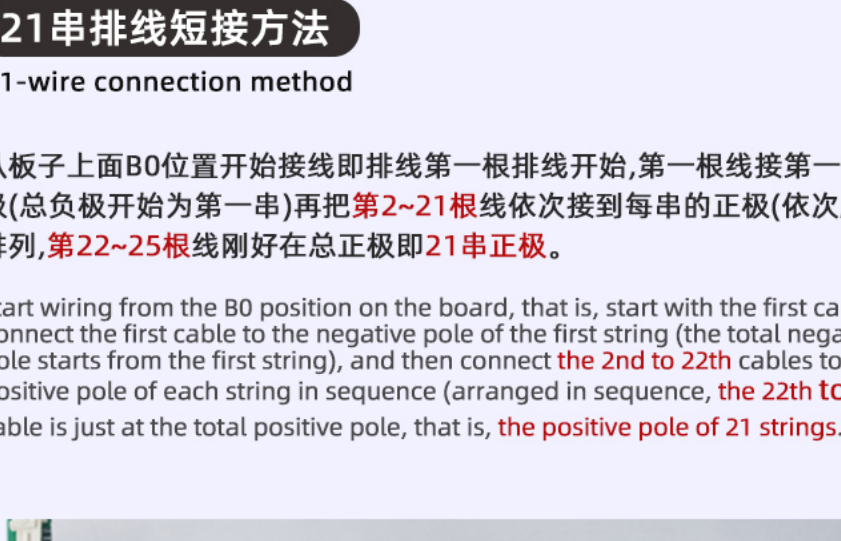


22串排线短接方法

22-wire connection method

从板子上面B0位置开始接线即排线第一根排线开始,第一根线接第一串负极(总负极开始为第一串)再把第2~22根线依次接到每串的正极(依次顺序排列,第23~25根线刚好在总正极即22串正极)。

Start wiring from the B0 position on the board, that is, start with the first cable. Connect the first cable to the negative pole of the first string (the total negative pole starts from the first string), and then connect the 2nd to 22th cables to the positive pole of each string in sequence (arranged in sequence, the 23th to 25th cable is just at the total positive pole, that is, the positive pole of 22 strings).

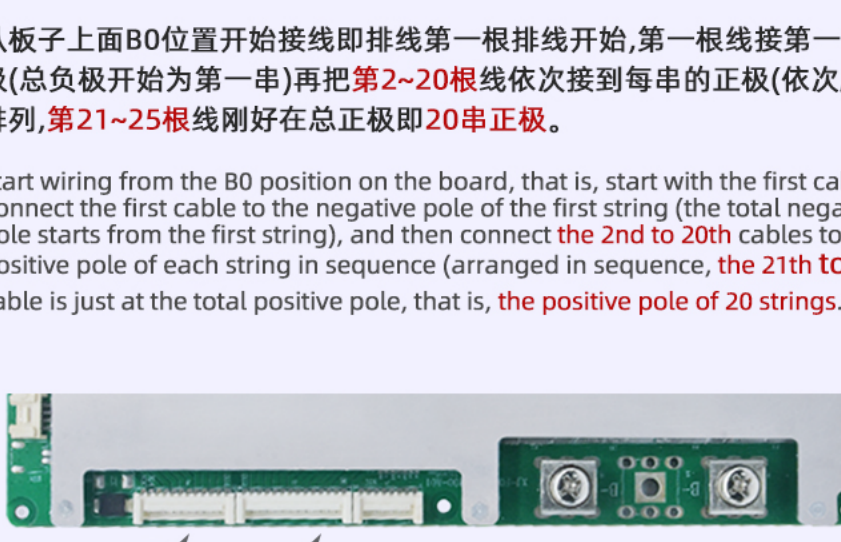


21串排线短接方法

21-wire connection method

从板子上面B0位置开始接线即排线第一根排线开始,第一根线接第一串负极(总负极开始为第一串)再把第2~21根线依次接到每串的正极(依次顺序排列,第22~25根线刚好在总正极即21串正极)。

Start wiring from the B0 position on the board, that is, start with the first cable. Connect the first cable to the negative pole of the first string (the total negative pole starts from the first string), and then connect the 2nd to 21th cables to the positive pole of each string in sequence (arranged in sequence, the 22th to 25th cable is just at the total positive pole, that is, the positive pole of 21 strings).

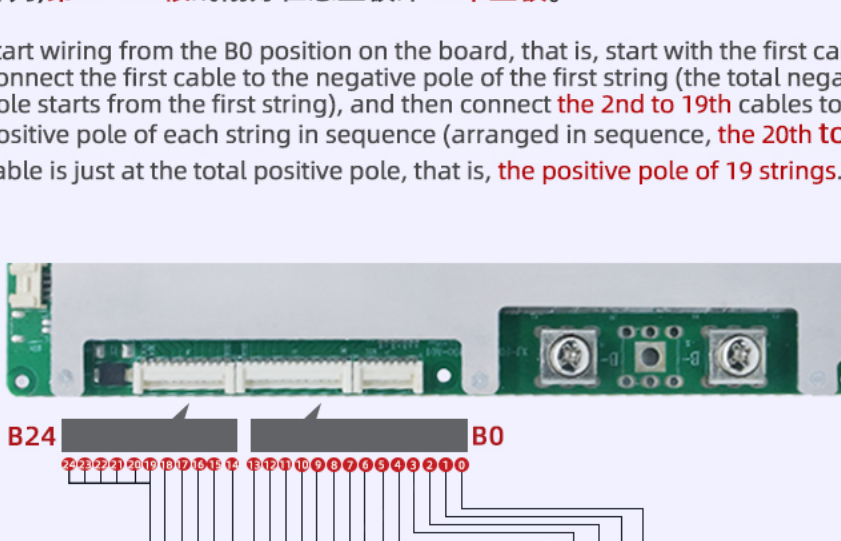


20串排线短接方法

20-wire connection method

从板子上面B0位置开始接线即排线第一根排线开始,第一根线接第一串负极(总负极开始为第一串)再把第2~20根线依次接到每串的正极(依次顺序排列,第21~25根线刚好在总正极即20串正极)。

Start wiring from the B0 position on the board, that is, start with the first cable. Connect the first cable to the negative pole of the first string (the total negative pole starts from the first string), and then connect the 2nd to 20th cables to the positive pole of each string in sequence (arranged in sequence, the 21th to 25th cable is just at the total positive pole, that is, the positive pole of 20 strings).

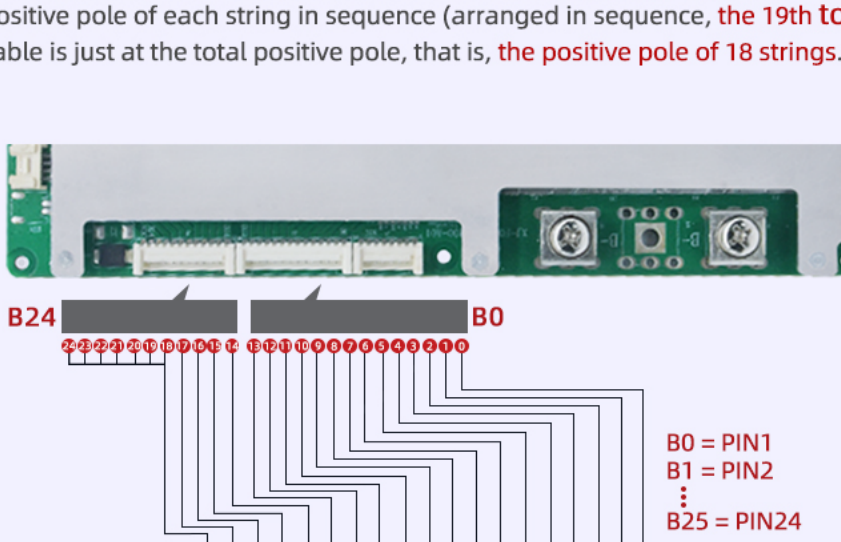


19串排线短接方法

19-wire connection method

从板子上面B0位置开始接线即排线第一根排线开始,第一根线接第一串负极(总负极开始为第一串)再把第2~19根线依次接到每串的正极(依次顺序排列,第20~25根线刚好在总正极即19串正极)。

Start wiring from the B0 position on the board, that is, start with the first cable. Connect the first cable to the negative pole of the first string (the total negative pole starts from the first string), and then connect the 2nd to 19th cables to the positive pole of each string in sequence (arranged in sequence, the 20th to 25th cable is just at the total positive pole, that is, the positive pole of 19 strings).

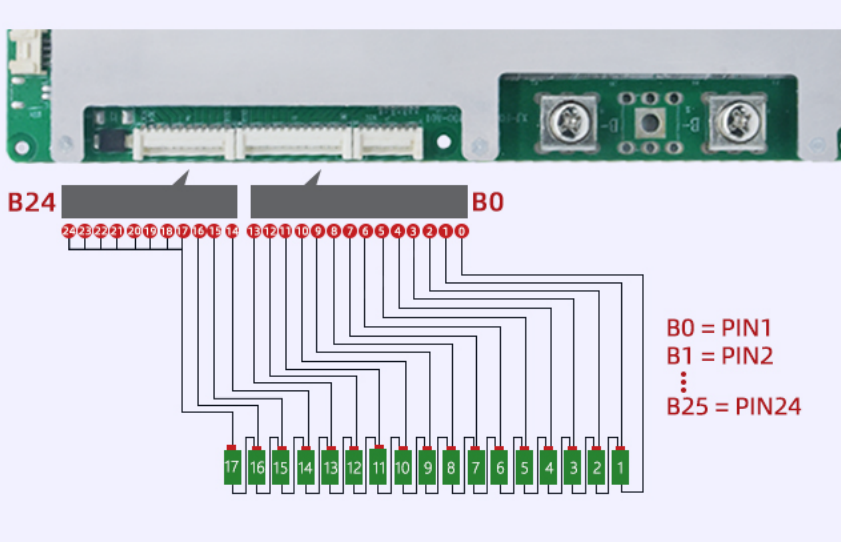


18串排线短接方法

18-wire connection method

从板子上面B0位置开始接线即排线第一根排线开始,第一根线接第一串负极(总负极开始为第一串)再把第2~18根线依次接到每串的正极(依次顺序排列,第19~25根线刚好在总正极即18串正极)。

Start wiring from the B0 position on the board, that is, start with the first cable. Connect the first cable to the negative pole of the first string (the total negative pole starts from the first string), and then connect the 2nd to 18th cables to the positive pole of each string in sequence (arranged in sequence, the 19th to 25th cable is just at the total positive pole, that is, the positive pole of 18 strings).

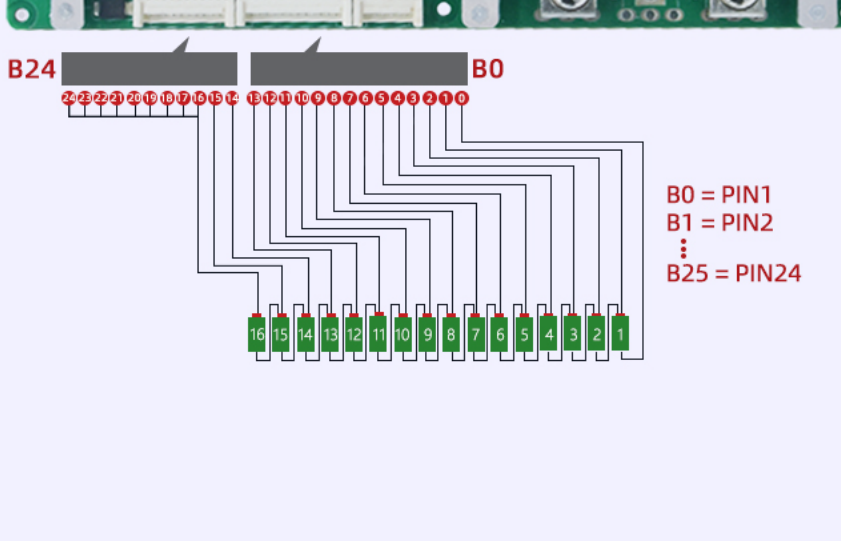


17串排线短接方法

17-wire connection method

从板子上面B0位置开始接线即排线第一根排线开始,第一根线接第一串负极(总负极开始为第一串)再把第2~17根线依次接到每串的正极(依次顺序排列,第18~25根线刚好在总正极即17串正极)。

Start wiring from the B0 position on the board, that is, start with the first cable. Connect the first cable to the negative pole of the first string (the total negative pole starts from the first string), and then connect the 2nd to 17th cables to the positive pole of each string in sequence (arranged in sequence, the 18th to 25th cable is just at the total positive pole, that is, the positive pole of 17 strings).



16串排线短接方法

16-wire connection method

从板子上面B0位置开始接线即排线第一根排线开始,第一根线接第一串负极(总负极开始为第一串)再把第2~16根线依次接到每串的正极(依次顺序排列,第17~25根线刚好在总正极即16串正极)。

Start wiring from the B0 position on the board, that is, start with the first cable. Connect the first cable to the negative pole of the first string (the total negative pole starts from the first string), and then connect the 2nd to 16th cables to the positive pole of each string in sequence (arranged in sequence, the 17th to 25th cable is just at the total positive pole, that is, the positive pole of 16 strings).

