



BSL Series

## B-LFP36-50

to replace lead acid GEL Or AGM

### PRODUCT FEATURES

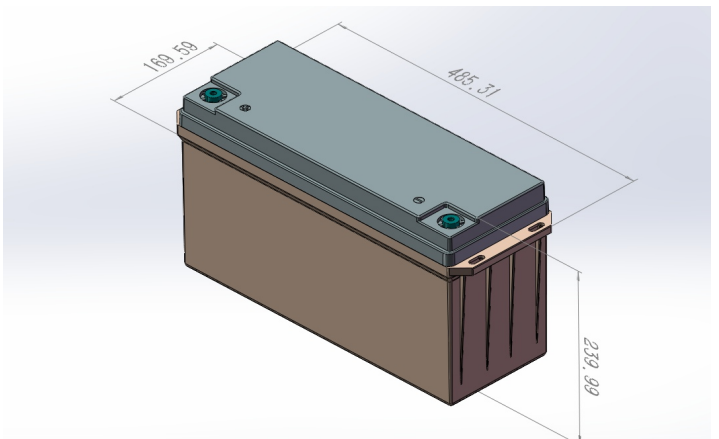
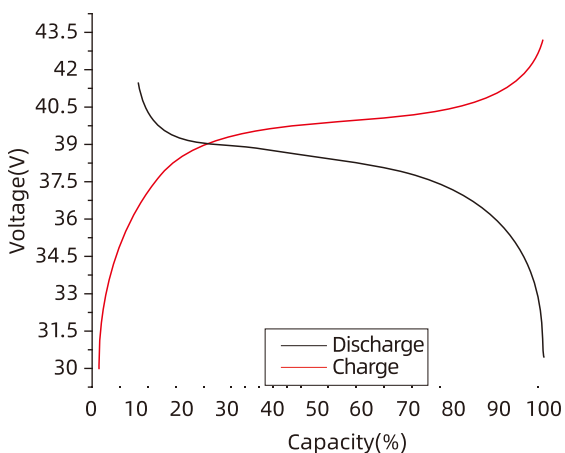
Designed for Power Energy Storage, Marine, RV, UPS, Lawn Mowers, Fish Finders, Access Control Systems, and House Alarm Security applications, BSLBATT's 36V 1920Wh lithium batteries last up to four times longer than lead-acid batteries. They are maintenance-free, lightweight, and easy to operate.

Our B-LFP36-50 model is equipped with the industry's leading LFP battery technology, featuring the safest lithium battery chemistry available today. This makes it an ideal choice for deep-cycle applications.

### CHARGE AND DISCHARGE CURVE

### DIMENSION

38.4V 50Ah Charge-Discharge Curve 0.5C,25C



**Certification:** UL, FCC, CE, ROHS, UN38.3, IEC

<b>Battery Model</b>	B-LFP36-50
----------------------	------------

Nominal Voltage	38.4 V
Typical Capacity	50 Ah
Energy	1920 Wh

**Discharge**

Working Current	0.5 C
Maximum Current	1 C
Cut-off Voltage	About 30 V

**Charge**

Voltage	43.2 ± 0.1 V
Working Current	0.5 C
Max Charging Current	≤ 1 C
Charge Mode	CC/CV, please use special lithium charger
Charging Cut-off Current	About 3.3 A

**Operation Temperature**

Charge	0°C ~ +55°C
Discharge	-20°C ~ +60°C

**Additional Data**

Storage Temperature	-20°C ~ +45°C
Discharging Inner Resistance	≤ 60 mΩ
Protection Function	Overcharge, over-discharge, over-current, short circuit and other protection functions
Output Mode	M8 Terminal
Shell Material	ABS
Weight	16.5 Kg
Dimension (L*W*H)	485.3*169*239 (±2) mm
Serial-parallel module	1P12S
Cycle	≥3500@ 80%DOD ( 0.5C, 25°C)

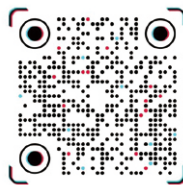
Note: Parameters can be adjusted according to customer requirements



Facebook



Linkedin



Tiktok



Instagram



Youtube



Drop-in Replacement



Tier One, A+ LiFePO4 Cell Composition



5 Years Warranty Guarantee



Smart Hardware & Software Design



Long Service Life



Eco-Friendly