

OPTIMAL
SOLUTION
FOR
FURNITURE



MONSOON[®]
Make trust as nature

Monsoon
International(Guangzhou)
Limited

DRAWER SYSTEM
Furniture hardware

www.monsoonhardware.com

MONSOON INTERNATIONAL(GUANGZHOU) LIMITED

Monsoon Hardware was established in the year 2011. It's an import and export enterprises with production, research and development, domestic and foreign sales. We have our own factory which area is more than 10000 square meter,with registered capital of 10 million Yuan. Monsoon have many industry-leading plastic processing equipment: Mixers, Granulating machines, PVC sheet extrusion machines, Single extrusion machines, Printing machines, Automatic cutting machines etc, The production capacity is more than 30 million meters per month.

Base in Guandong ,We offer high-quality and environment-friendly product and fast response service for many custom-made furniture brands. Our sales network throughout the country and the sales volume is in the forefront of the industry. Meanwhile our overseas sales grow rapidly, we mostly export to Southeast Asia,Russia,Eastern Europe,Central Asia and other regions. Our products receive the consistent high praise of customers.We firmly believe that Monsoon is your most loyal and trusted cooperation partner on the road to success.In order to reach our quality standard, Monsoon invest much money to set up Strategic cooperative relationship with many famous Chemical brands. We have experienced colorists and a production team to ensure stable quality. The young sales team offer fast response service to our customers.

OUR SUB-BRAND



Maxave is the global furniture hardware company built to transform your furniture hardware business.



Lanttich is a company focused on high-end kitchen hardware applications, bringing customers an unprecedented smart kitchen experience.



Moonplast is an enterprise focusing on environmental edge banding, efficient intelligent production edge banding, and has become an advocate of environmental edge banding.

▶ CONTENT



»» Drawer system

- ▶ P01-P04 Ultrabox
- ▶ P05-P10 Multibox
- ▶ P11 Metal-Box
- ▶ P12-P15 Multibox Variable Drawer System

01



»» Concealed slide

- ▶ P16-P25 Full extension
- ▶ P26-P33 Single extension

02

DRAWER SYSTEM

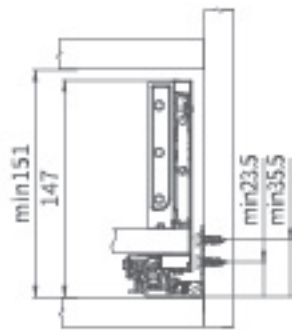
Monsoon Drawer Series can realize a variety of design solutions and meet a variety of personalized home design requirements. Smooth, quiet, Soft closing operation experience, and beautiful line design are atypical feature of the drawer series.



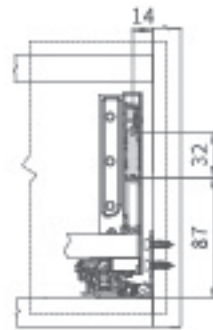
ULTRABOX DRAWER SYSTEM

Item NO.: L03210107301

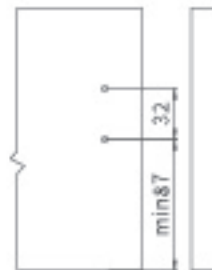
Space requirements of the inner cabinet installation



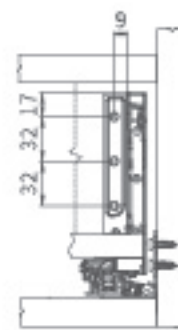
Front Connector panel mounting size



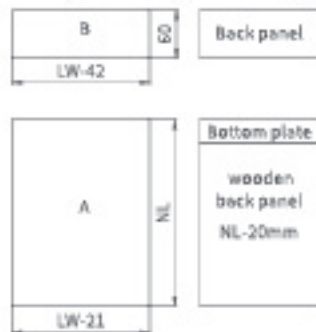
Panel hole size



Back-panel mounting size

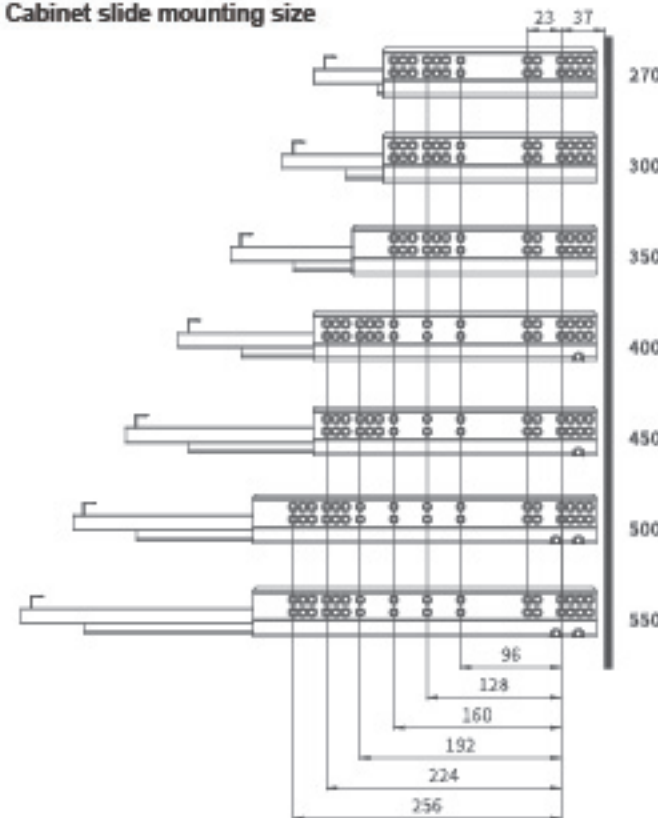


16mm(thickness)MDFcutting size

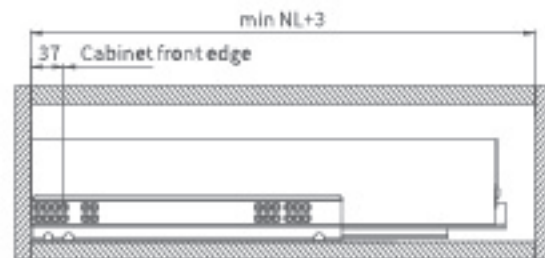


KB Cabinet width
LW Cabinet net width
NL Nominal Length

Cabinet slide mounting size



Slide mounting size



External drawer



Soft closing



Push open



Max load bearing

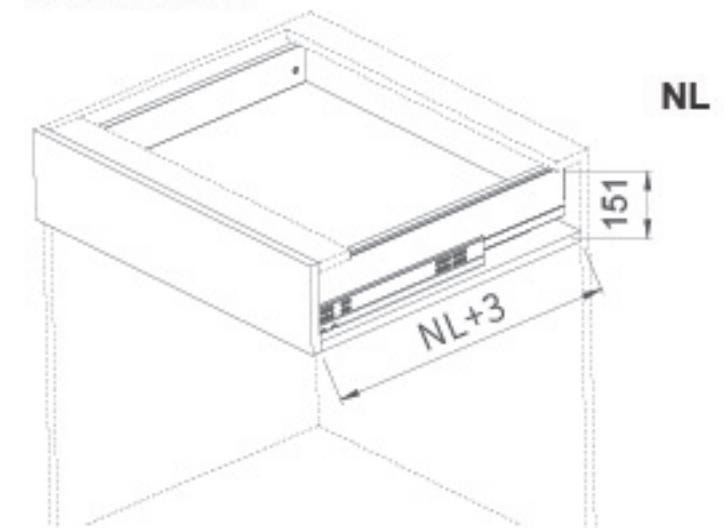


Side height



3D adjustment

Space required

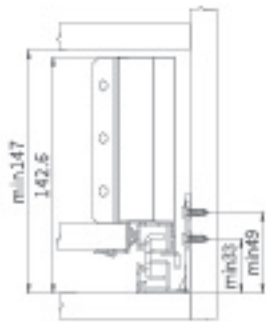


P01

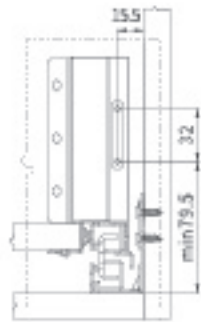
ULTRABOX-BOX DRAWER SYSTEM

Item NO.: L03210107301

Space requirements of the inner cabinet installation



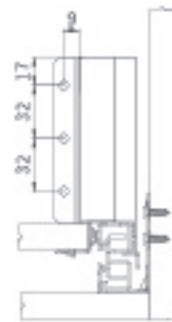
Front Connector panel mounting size



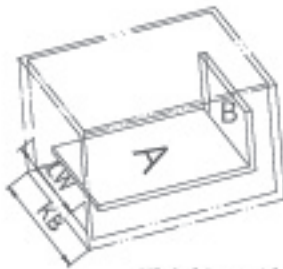
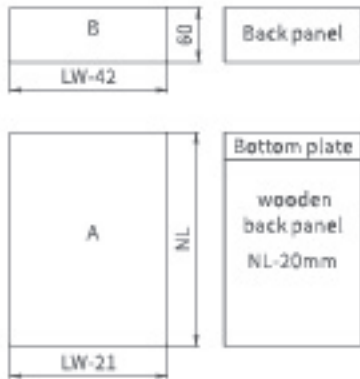
Panel hole size



Back-panel mounting size

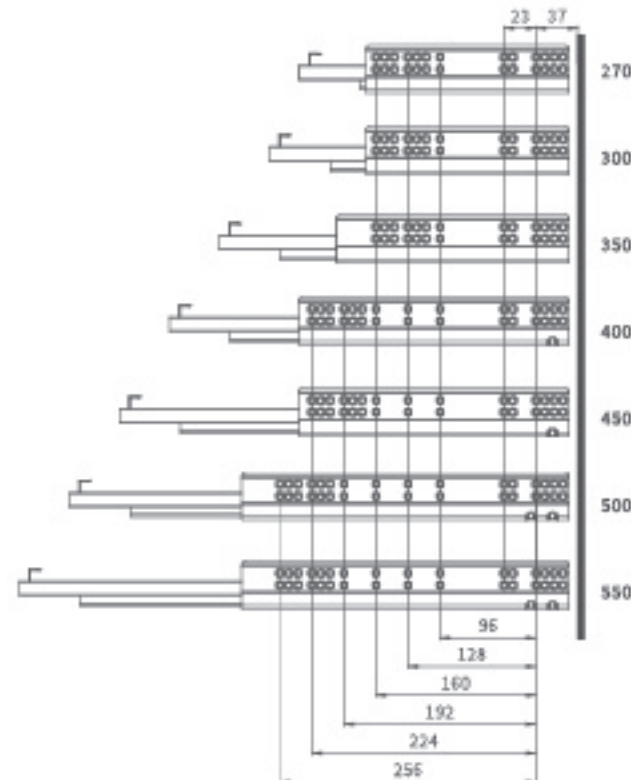


16mm(thickness)MDFcutting size

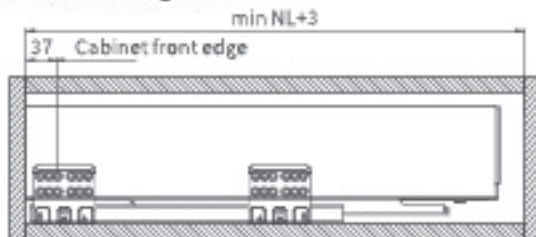


KB Cabinet width
LW Cabinet net width
NL Nominal Length

Cabinet slide mounting size



Slide mounting size



External drawer



Soft closing



Push open



Max load bearing

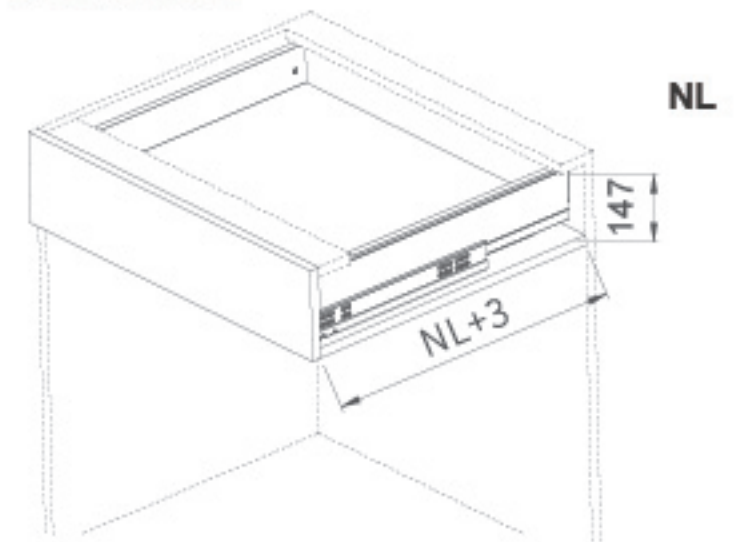


Side height



2D adjustment

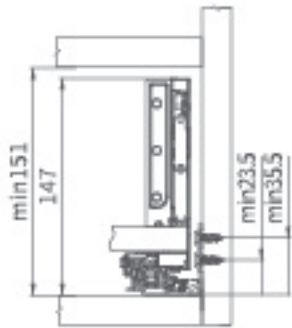
Space required



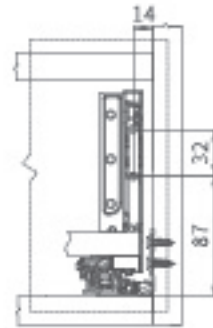
ULTRABOX DRAWER SYSTEM

Item NO.: L03210105201

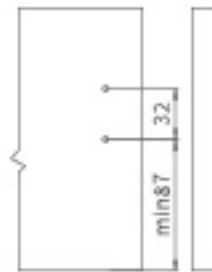
Space requirements of the inner cabinet installation



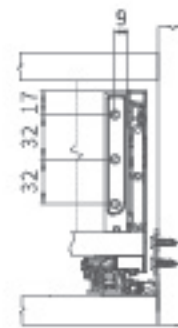
Front Connector panel mounting size



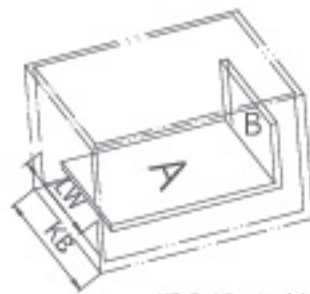
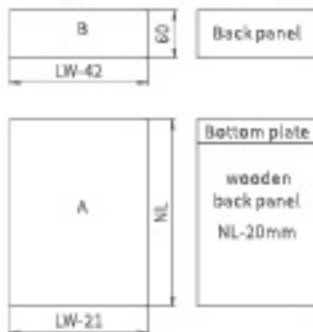
Panel hole size



Back-panel mounting size

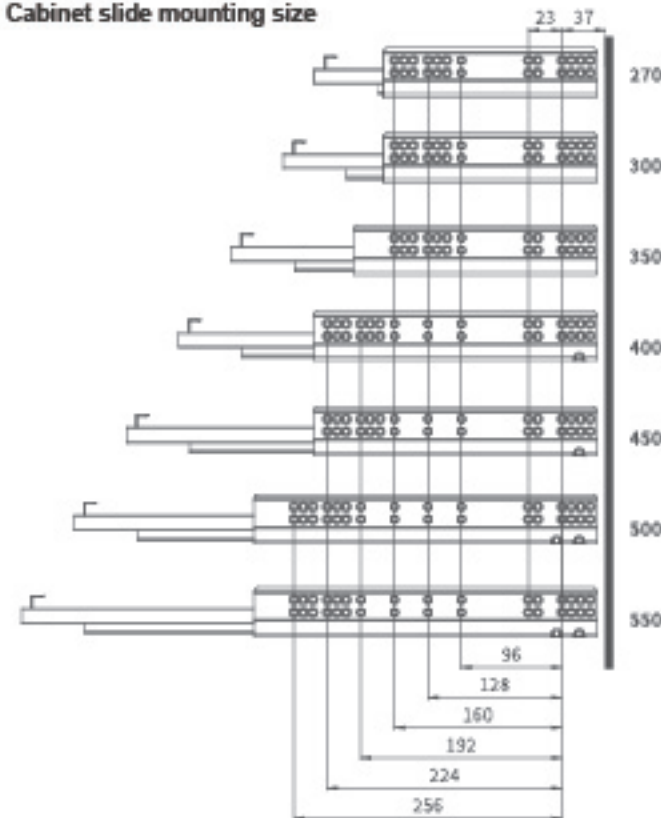


16mm(thickness)MDFcutting size

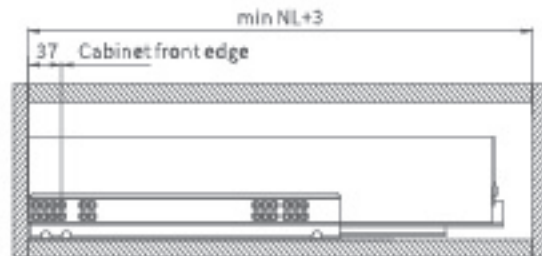


KB Cabinet width
LW Cabinet net width
NL Nominal Length

Cabinet slide mounting size



Slide mounting size



External drawer

P03



Soft closing



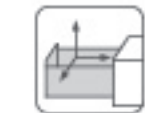
Push open



Max load bearing

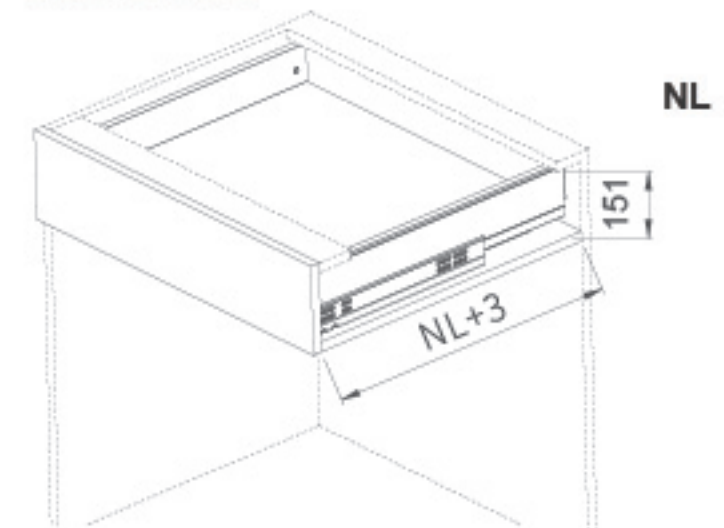


Side height



3D adjustment

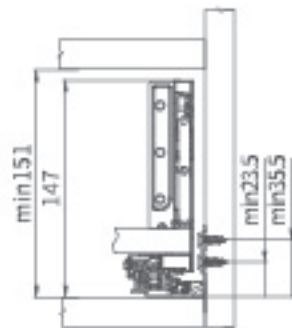
Space required



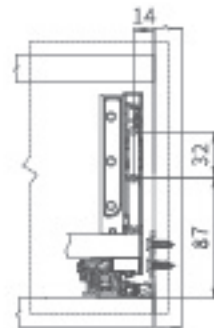
ULTRABOX DRAWER SYSTEM

Item NO.: L03210107901

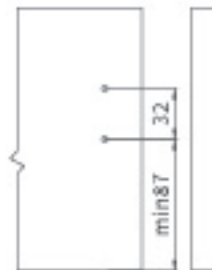
Space requirements of the inner cabinet installation



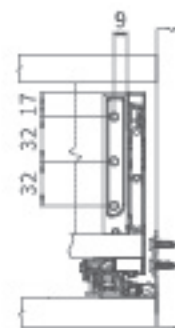
Front Connector panel mounting size



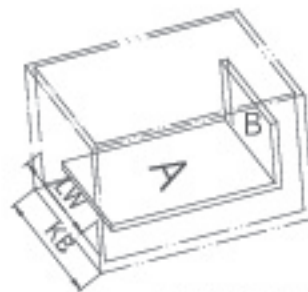
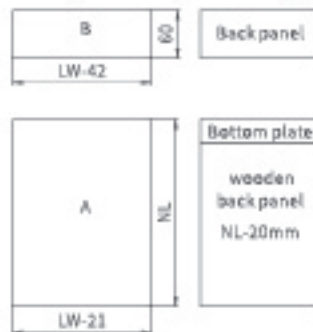
Panel hole size



Back-panel mounting size

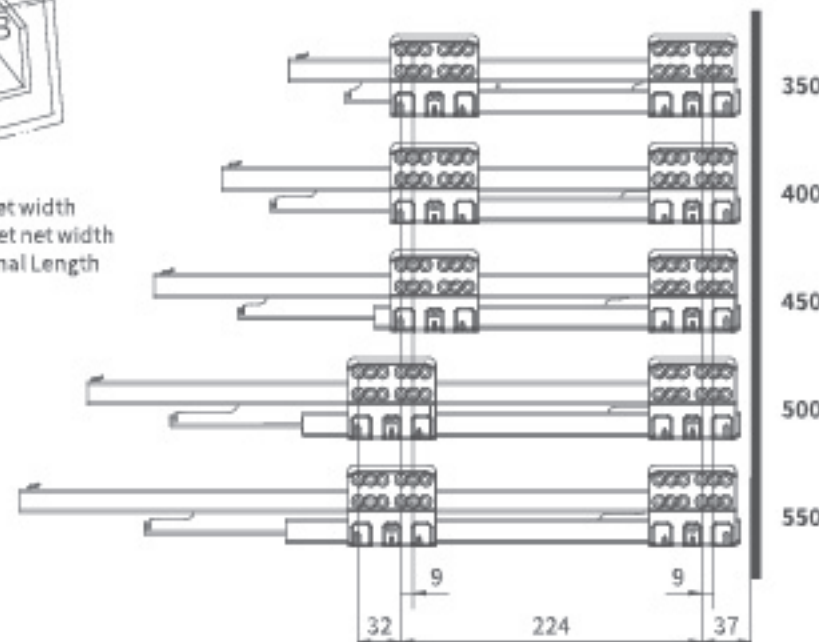


16mm(thickness)MDFcutting size

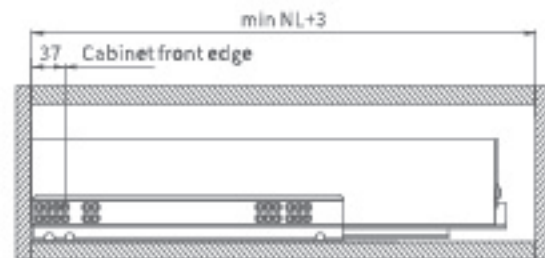


KB Cabinet width
LW Cabinet net width
NL Nominal Length

Cabinet slide mounting size



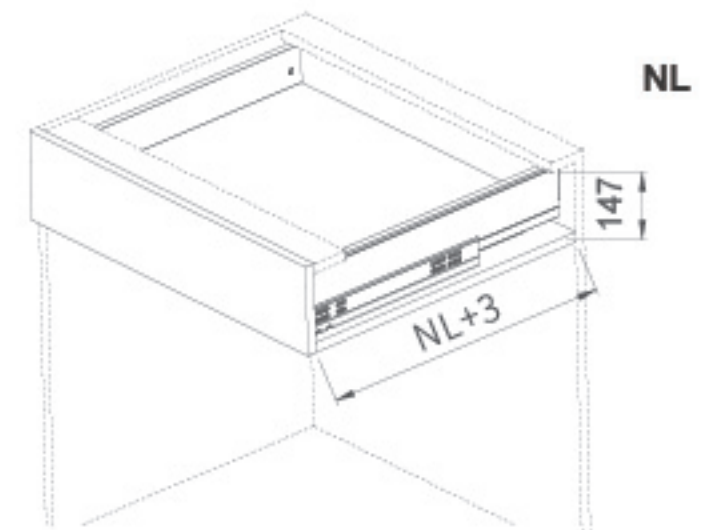
Slide mounting size



External drawer



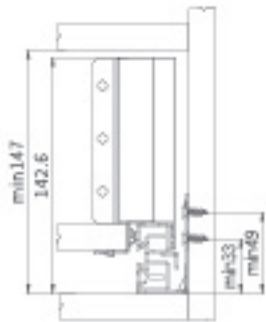
Space required



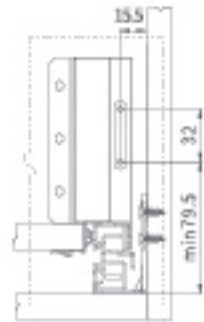
MULTIBOX DRAWER SYSTEM

Item NO.: L03210110001

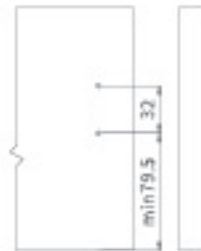
Space requirements of the inner cabinet installation



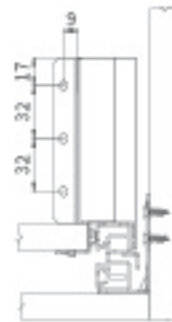
Front Connector panel mounting size



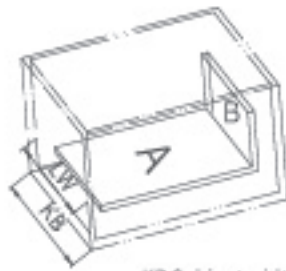
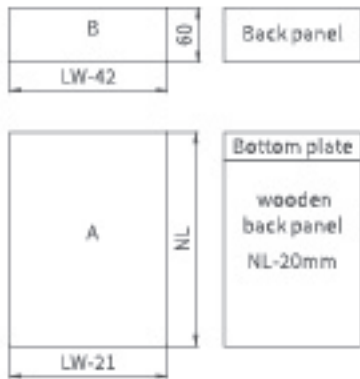
Panel hole size



Back-panel mounting size

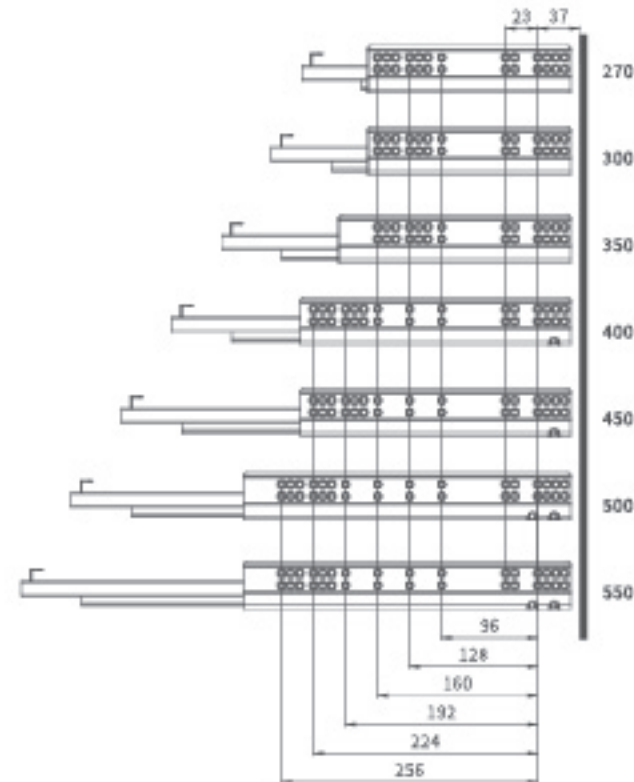


16mm(thickness)MDFcutting size

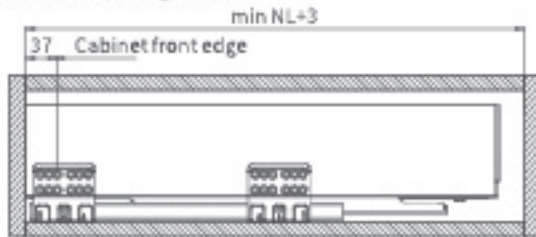


KB Cabinet width
LW Cabinet net width
NL Nominal Length

Cabinet slide mounting size

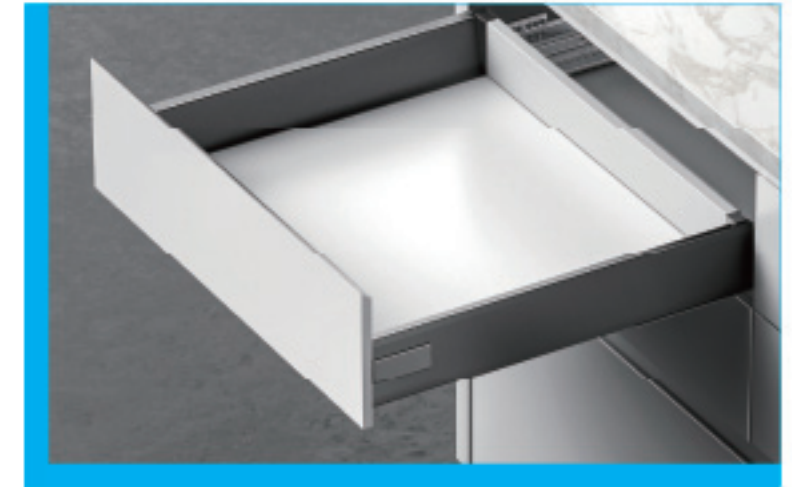


Slide mounting size



External drawer

P05



Soft closing



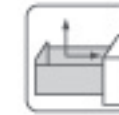
Push open



Max load bearing

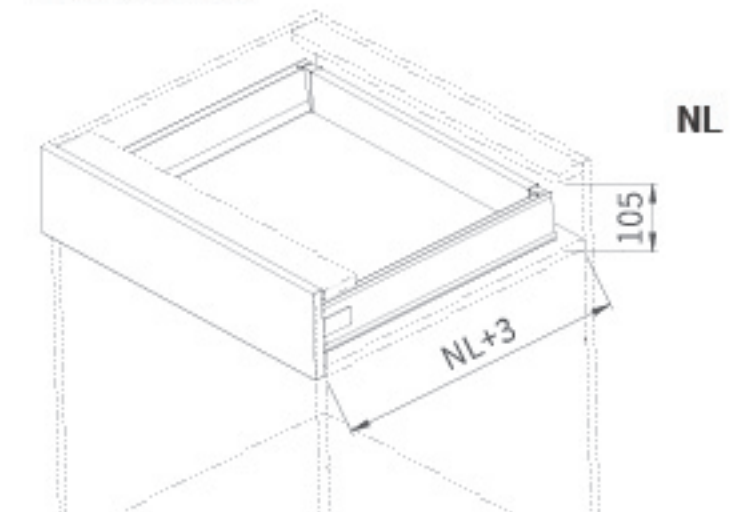


Side height



2D adjustment

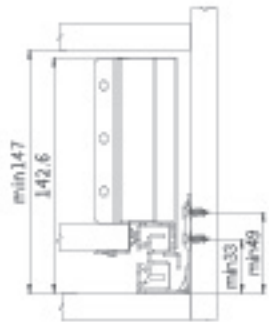
Space required



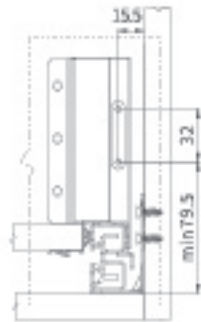
MULTIBOX DRAWER SYSTEM

Item NO.: L0321011101

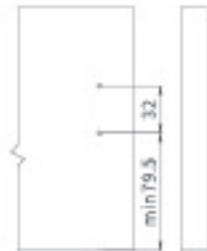
Space requirements of the inner cabinet installation



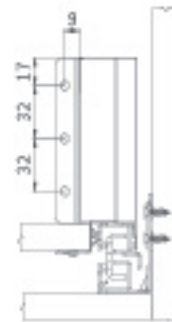
Front Connector panel mounting size



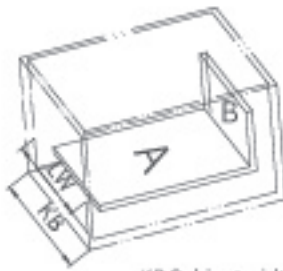
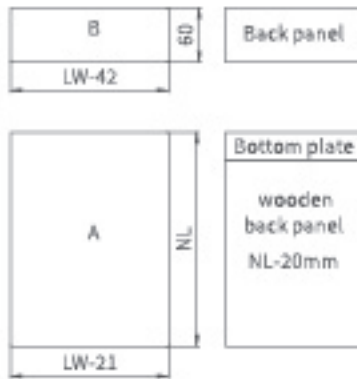
Panel hole size



Back-panel mounting size

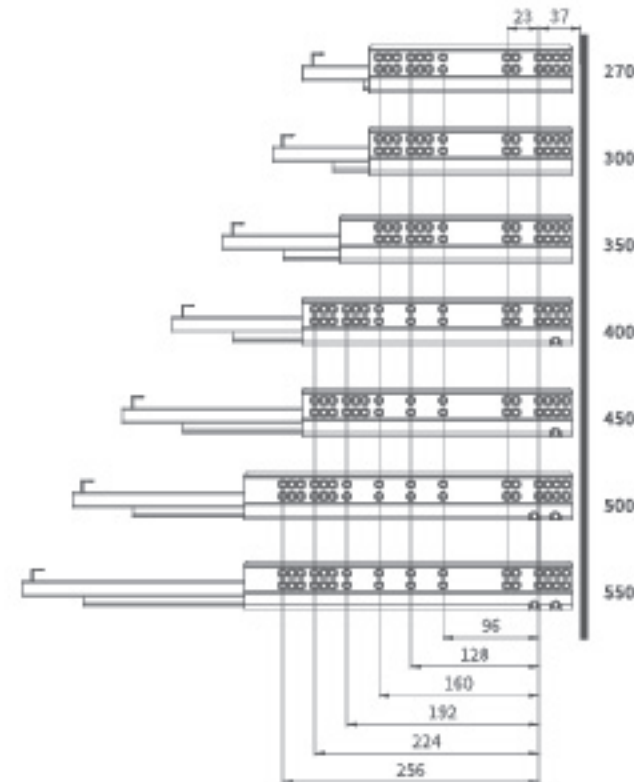


16mm(thickness)MDFcutting size

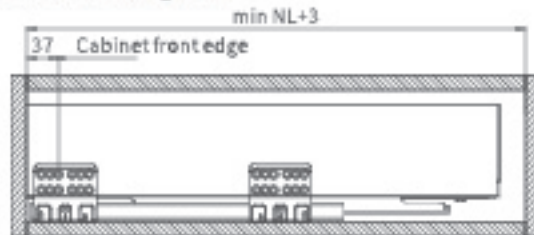


KB Cabinet width
LW Cabinet net width
NL Nominal Length

Cabinet slide mounting size



Slide mounting size



External drawer

www.monsoonhardware.com



Soft closing



Push open



Max load bearing

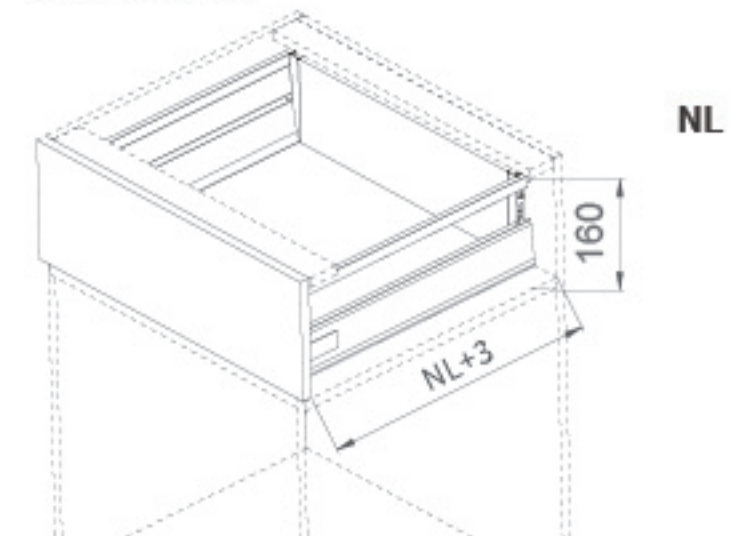


Side height



2D adjustment

Space required



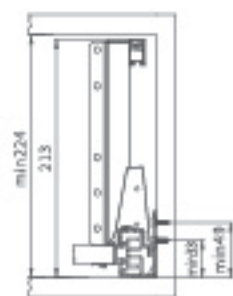
NL

P06

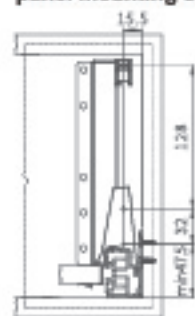
MULTIBOX DRAWER SYSTEM

Item NO.: L0321011401

Space requirements of the inner cabinet installation



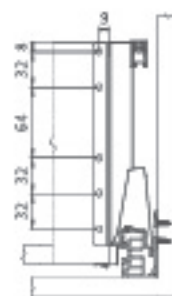
Front Connector panel mounting size



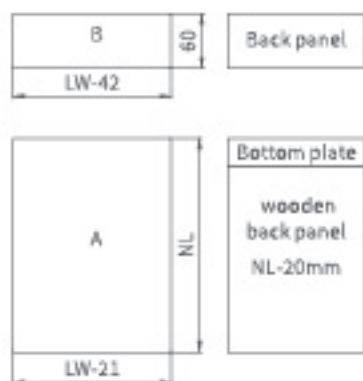
Panel hole size



Back-panel mounting size

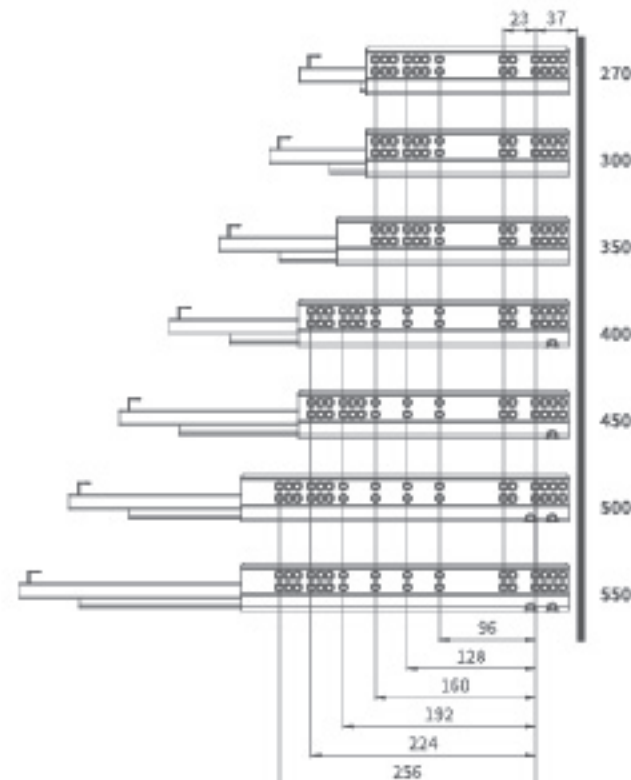


16mm(thickness)MDFcutting size

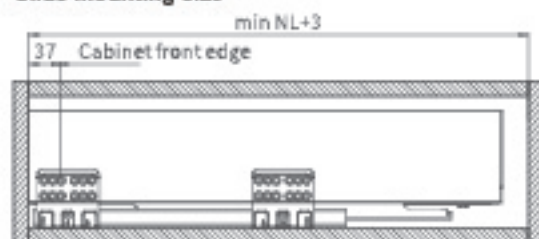


KB Cabinet width
LW Cabinet net width
NL Nominal Length

Cabinet slide mounting size



Slide mounting size

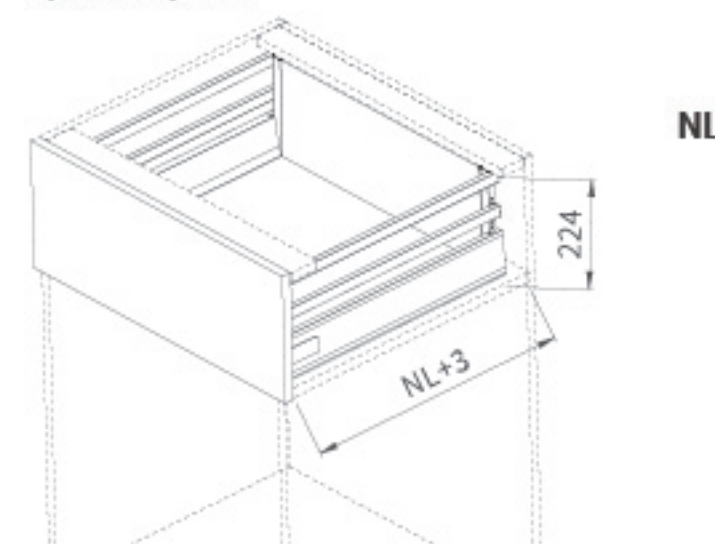


External drawer

P07

- 
SCT
 Soft closing
- 
TOS
 Push open
- 
40kg
 Max load bearing
- 
199
D
 Side height
- 
2D
 adjustment

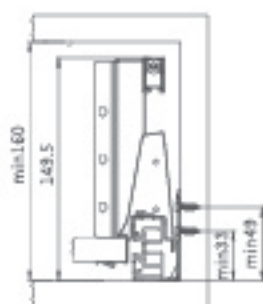
Space required



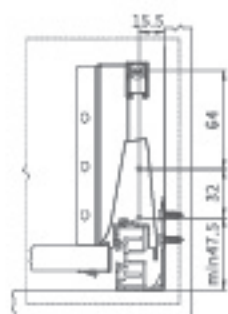
MULTIBOX DRAWER SYSTEM

Item NO.: L03210111501

Space requirements of the inner cabinet installation



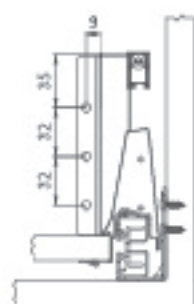
Front Connector panel mounting size



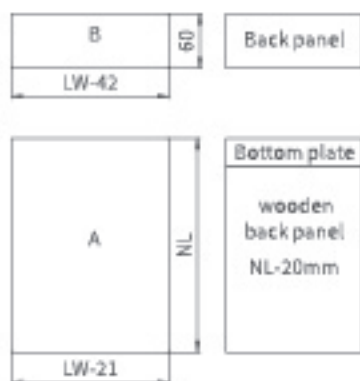
Panel hole size



Back-panel mounting size

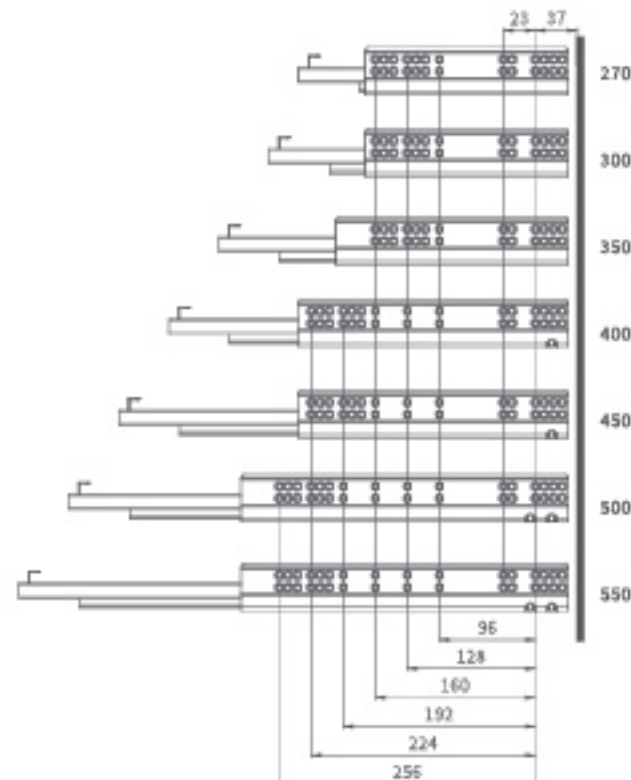


16mm(thickness)MDFcutting size

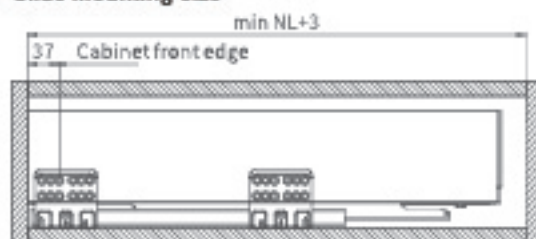


KB Cabinet width
LW Cabinet net width
NL Nominal Length

Cabinet slide mounting size



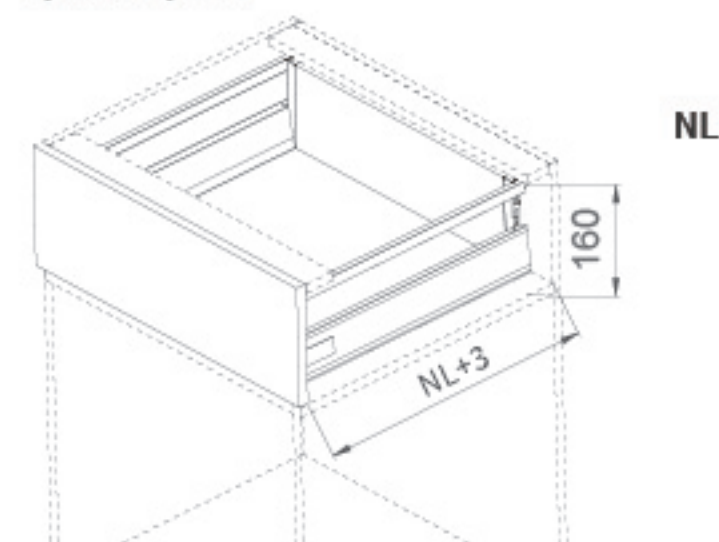
Slide mounting size



External drawer

- SCT** Soft closing
- TOS** Push open
- 40kg** Max load bearing
- 135 K** Side height
- 2D adjustment**

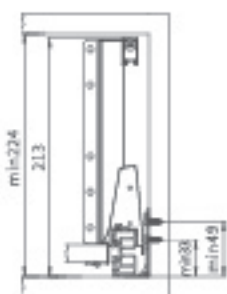
Space required



MULTIBOX DRAWER SYSTEM

Item NO.: L03210111801

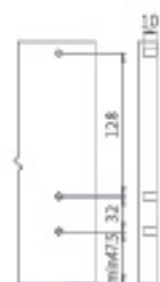
Space requirements of the inner cabinet installation



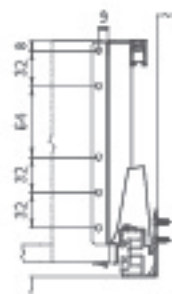
Front Connector panel mounting size



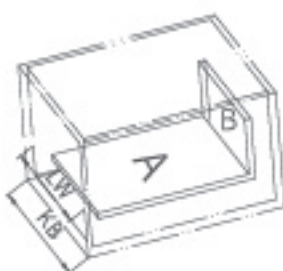
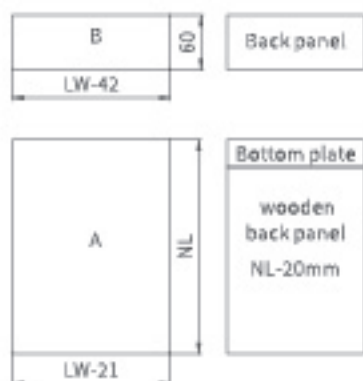
Panel hole size



Back-panel mounting size

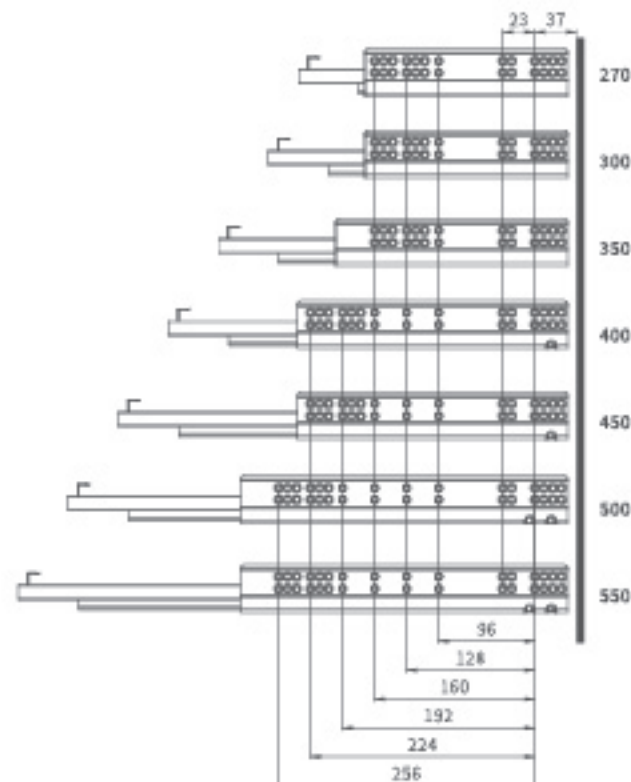


16mm(thickness)MDFcutting size

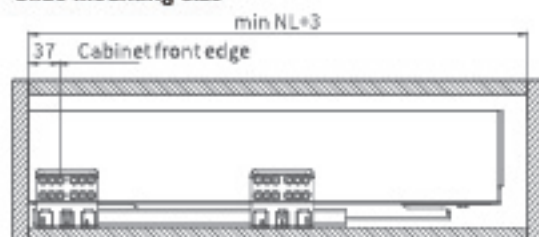


KB Cabinet width
LW Cabinet net width
NL Nominal Length

Cabinet slide mounting size



Slide mounting size

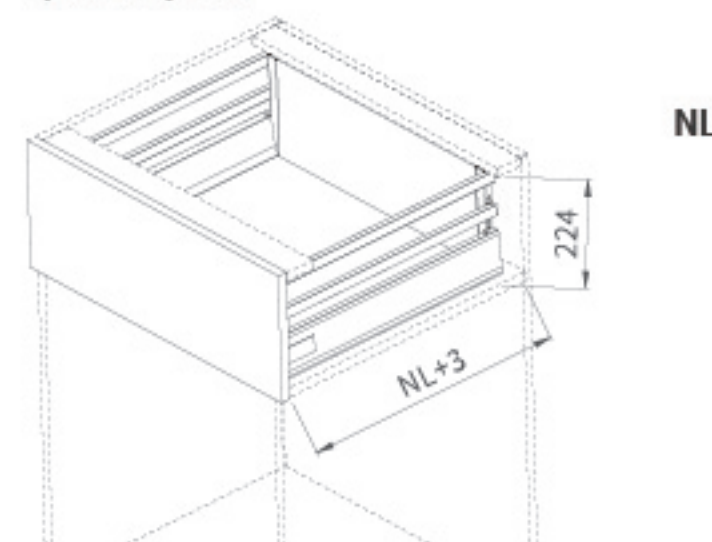


External drawer

P09



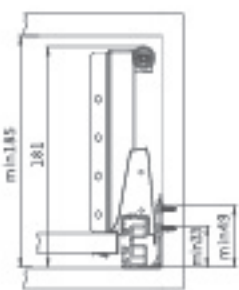
Space required



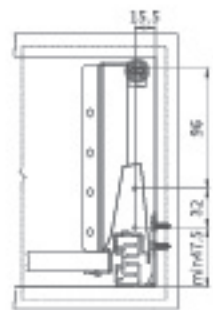
MULTIBOX DRAWER SYSTEM

Item NO.: L03210116201

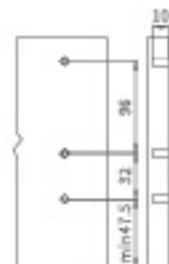
Space requirements of the inner cabinet installation



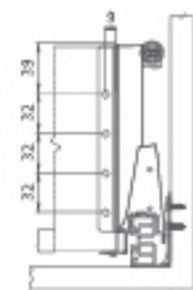
Front Connector panel mounting size



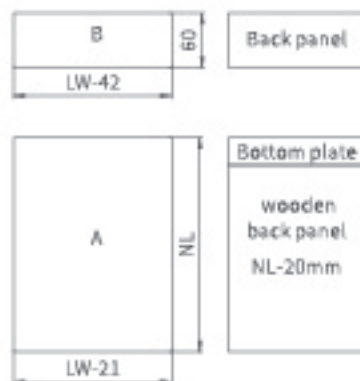
Panel hole size



Back-panel mounting size

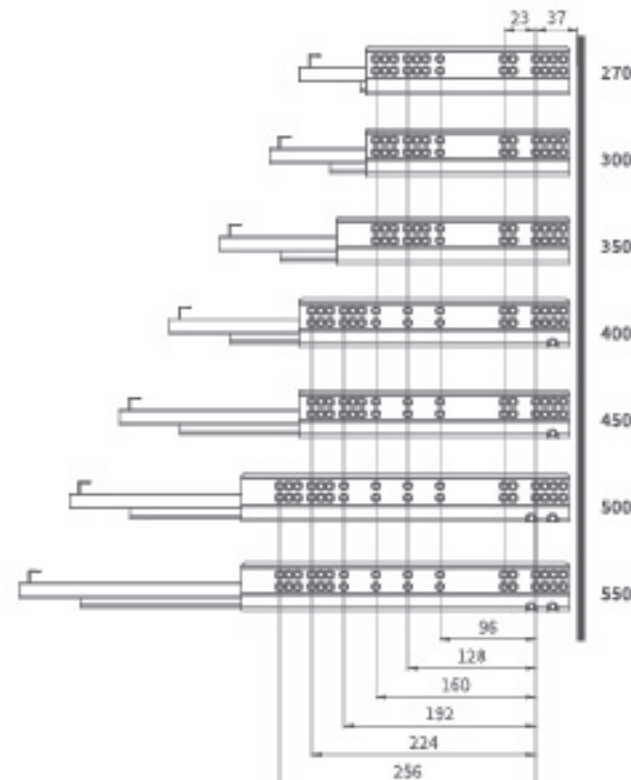


16mm(thickness)MDFcutting size

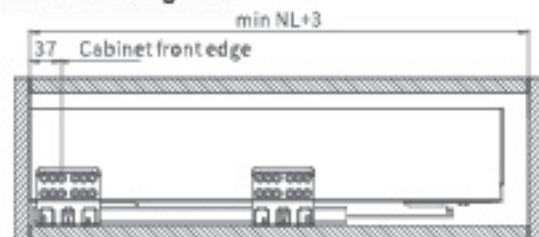


KB Cabinet width
LW Cabinet net width
NL Nominal Length

Cabinet slide mounting size



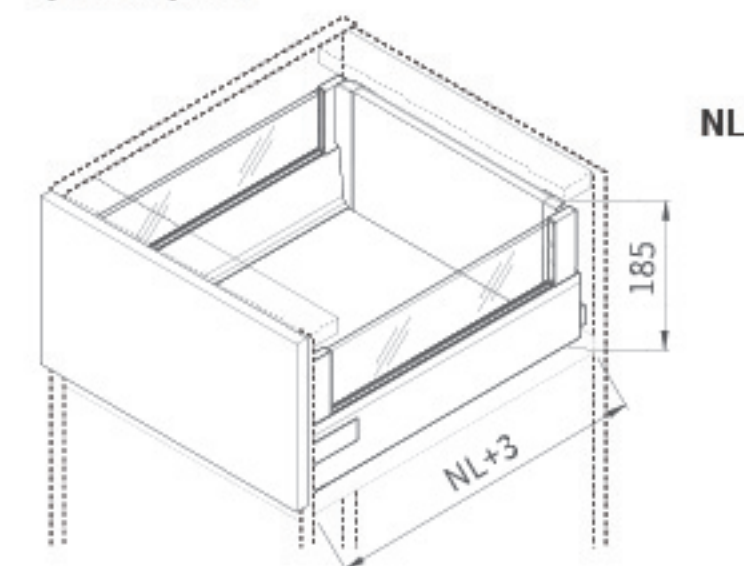
Slide mounting size



External drawer



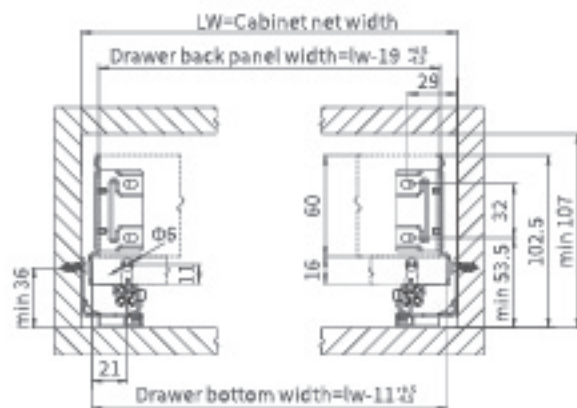
Space required



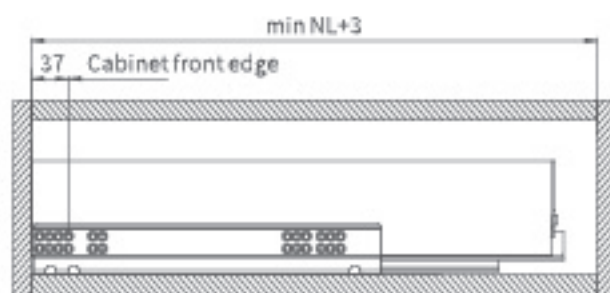
METAL-BOX DRAWER SYSTEM

Item NO.: L03210109901

Space requirements of the inner cabinet installation



Slide mounting size



External drawer



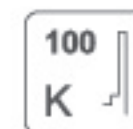
Soft closing



Push open

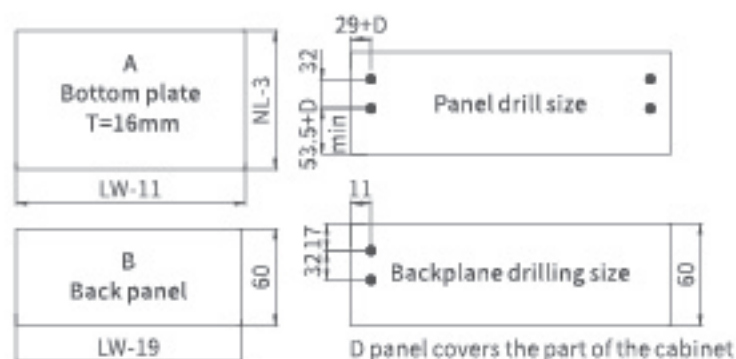


Max load bearing

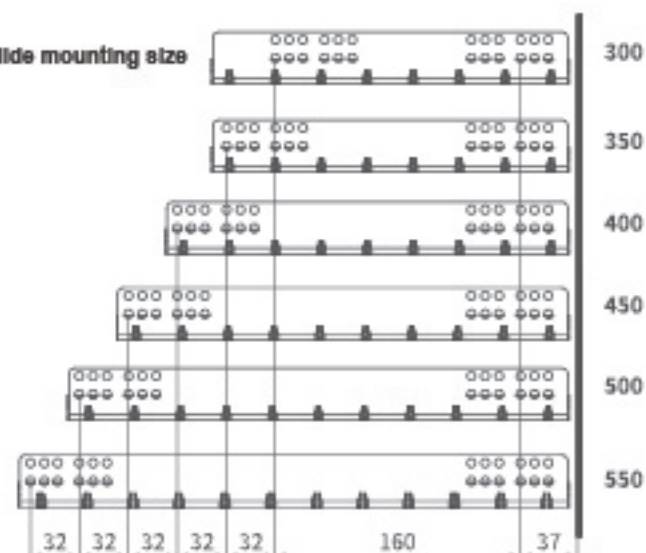


Side height

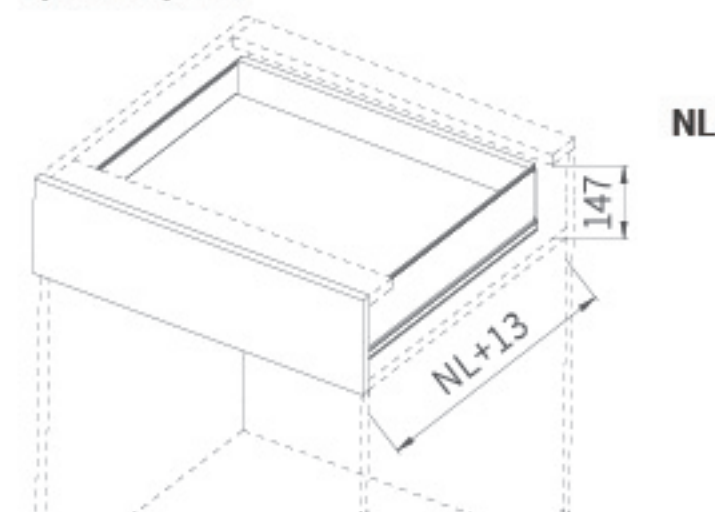
16mm(thickness)MDFcutting size



Cabinet slide mounting size



Space required

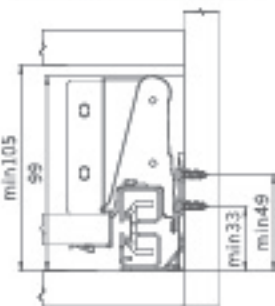


P11

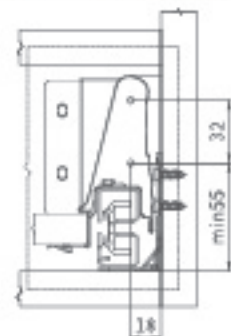
MULTIBOX VARIABLE DRAWER SYSTEM

Item NO.: L03210113001

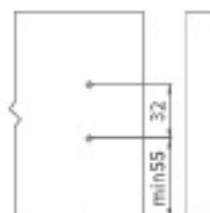
Space requirements of the inner cabinet installation



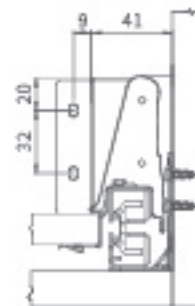
Front Code Panel Mounting Dimensions



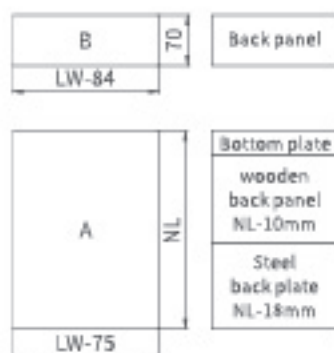
Panel hole size



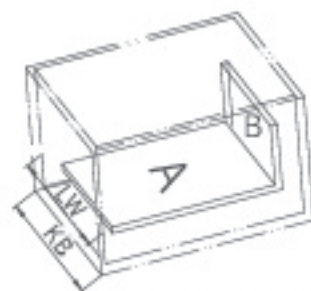
Back-panel mounting size



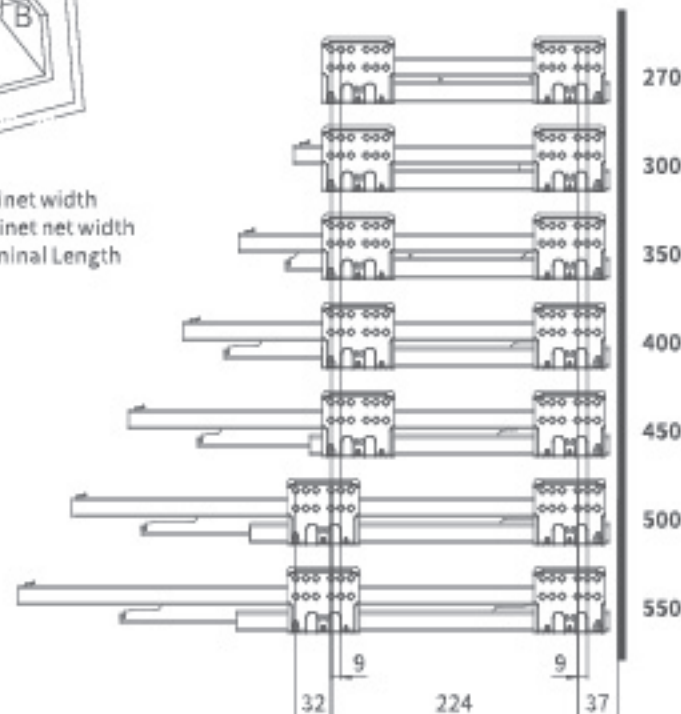
16mm(thickness)MDFcutting size



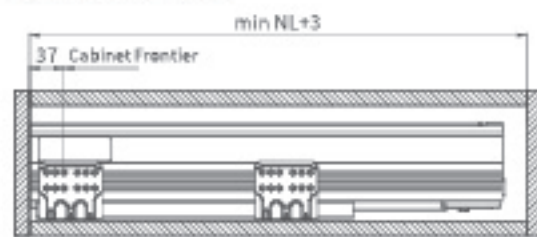
Cabinet slide mounting size



KB Cabinet width
LW Cabinet net width
NL Nominal Length



Slide mounting size



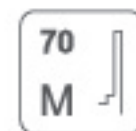
External drawer



Soft closing



Max load bearing

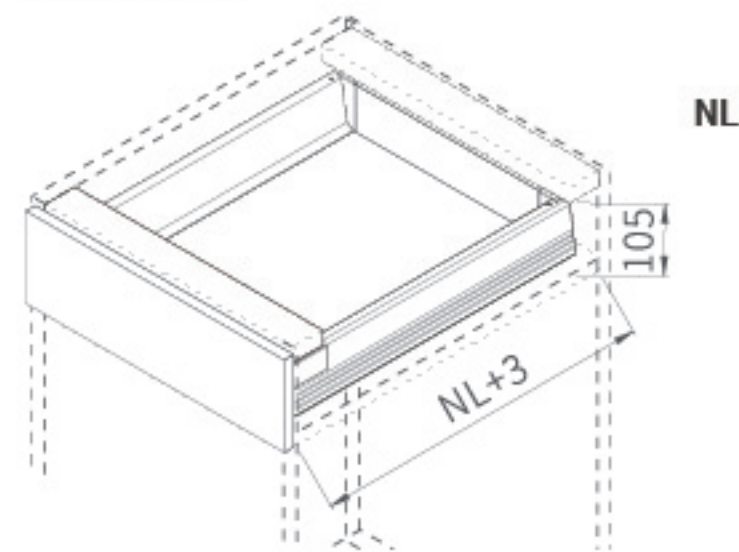


Side height



2D Adjustment

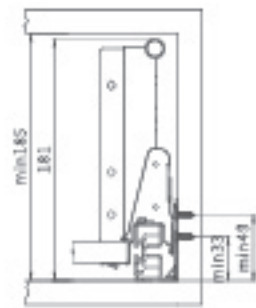
Space required



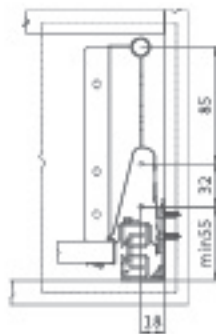
MULTIBOX VARIABLE DRAWER SYSTEM

Item NO.: L03210113101

Space requirements of the Inner cabinet installation



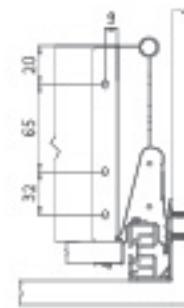
Front Code Panel Mounting Dimensions



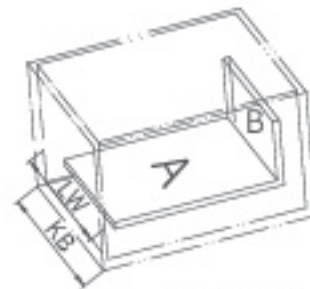
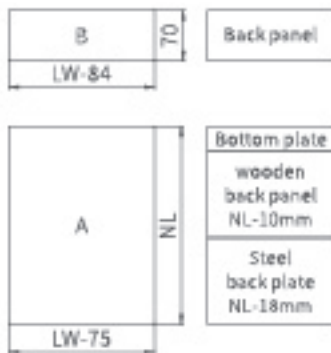
Panel hole size



Back-panel mounting size

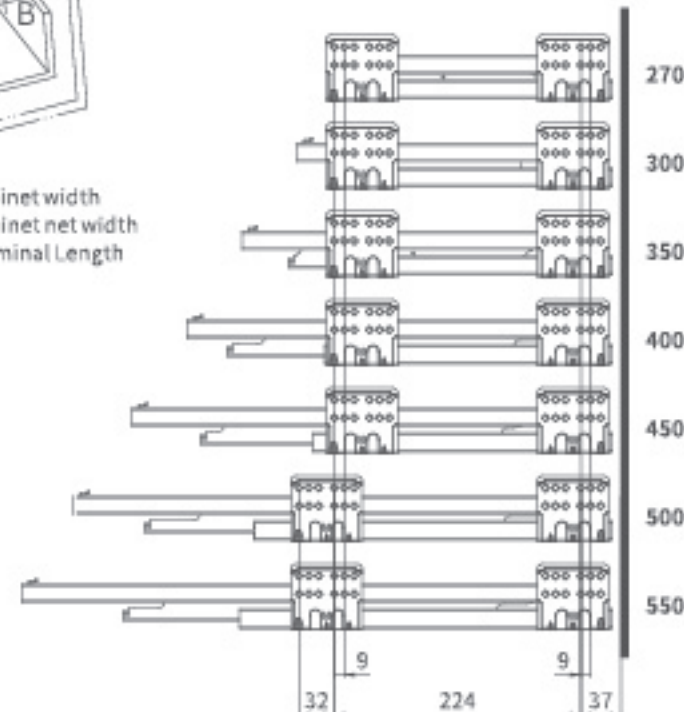


16mm(thickness)MDFcutting size

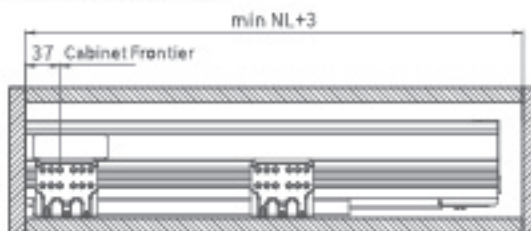


KB Cabinet width
LW Cabinet net width
NL Nominal Length

Cabinet slide mounting size



Slide mounting size



External drawer

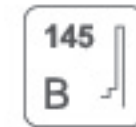
P13



Soft closing



Max load bearing
40kg

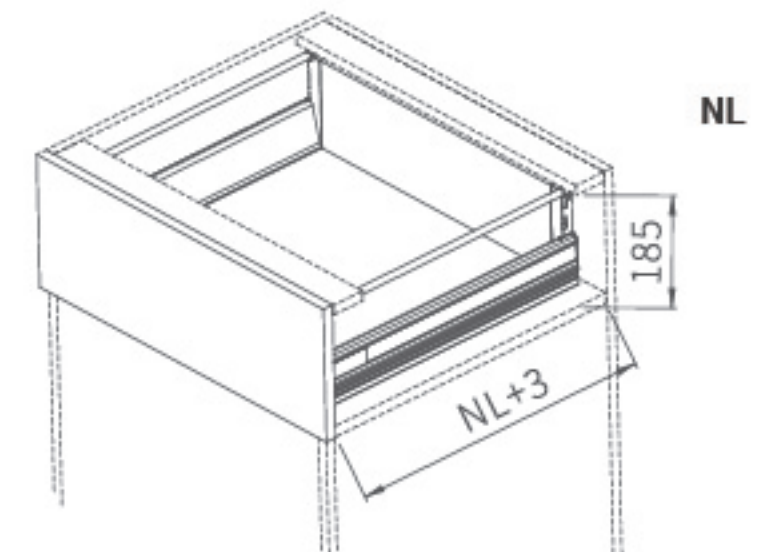


Side height
145



2D Adjustment

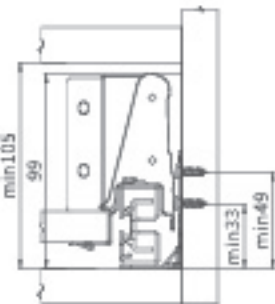
Space required



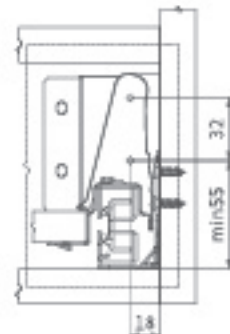
MULTIBOX VARIABLE DRAWER SYSTEM

Item NO.: L03210113301

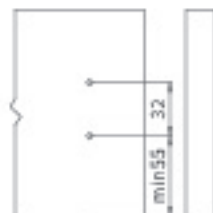
Space requirements of the inner cabinet installation



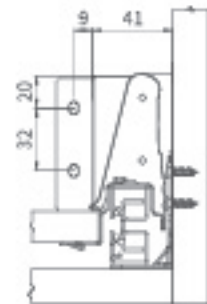
Front Code Panel Mounting Dimensions



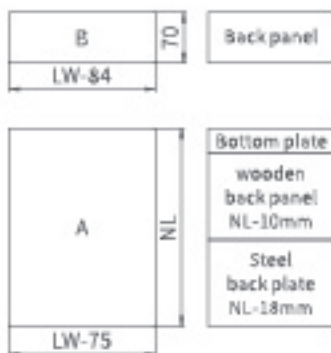
Panel hole size



Back-panel mounting size



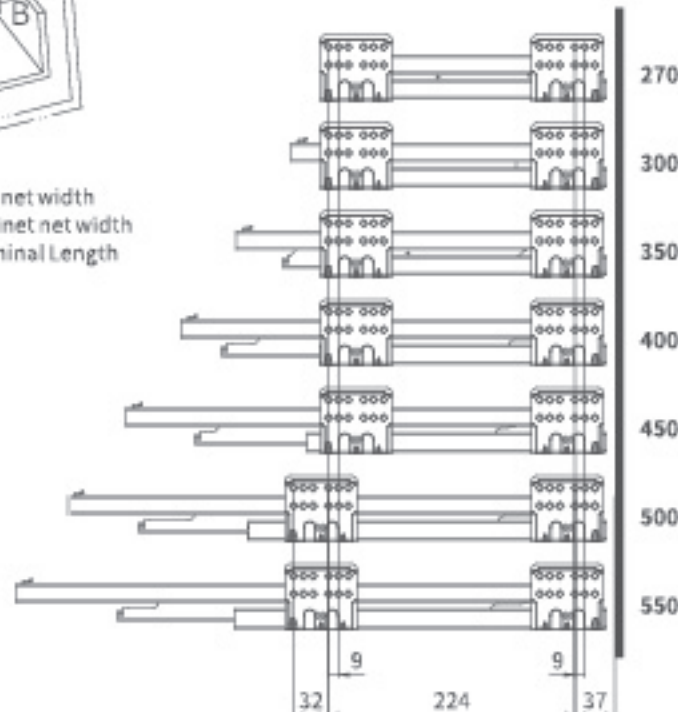
16mm(thickness)MDFcutting size



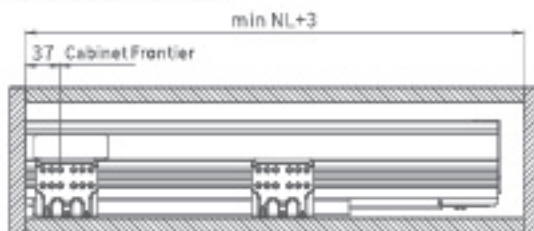
Cabinet slide mounting size



KB Cabinet width
LW Cabinet net width
NL Nominal Length



Slide mounting size



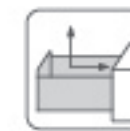
External drawer



Soft closing

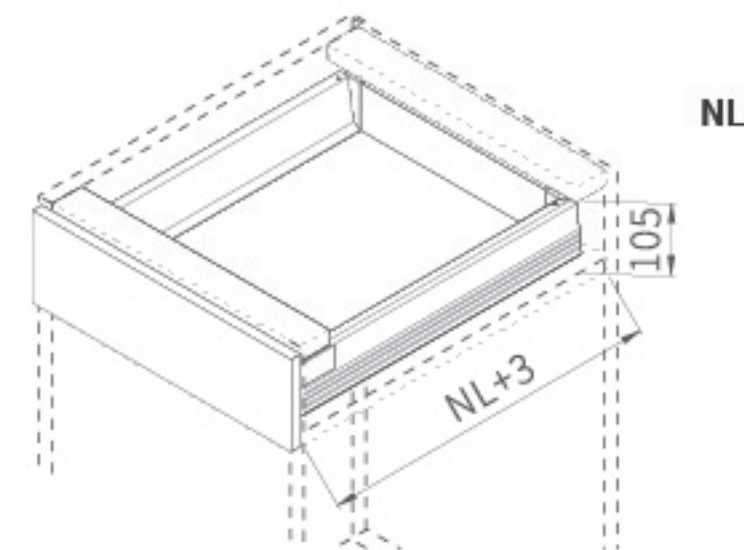


Max load bearing



2D Adjustment

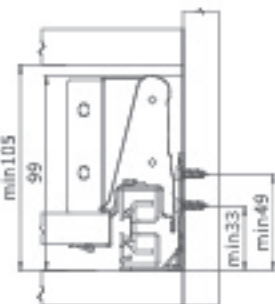
Space required



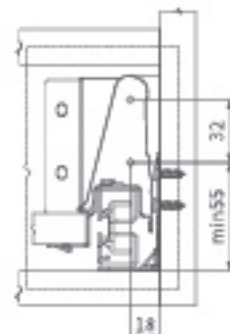
MULTIBOX VARIABLE DRAWER SYSTEM

Item NO.: L03210113401

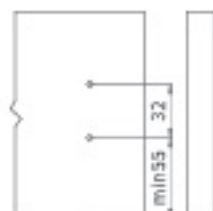
Space requirements of the inner cabinet installation



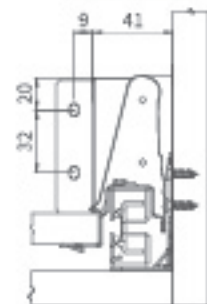
Front Code Panel Mounting Dimensions



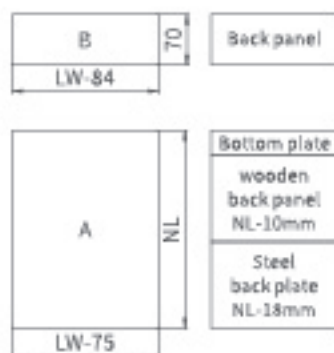
Panel hole size



Back-panel mounting size

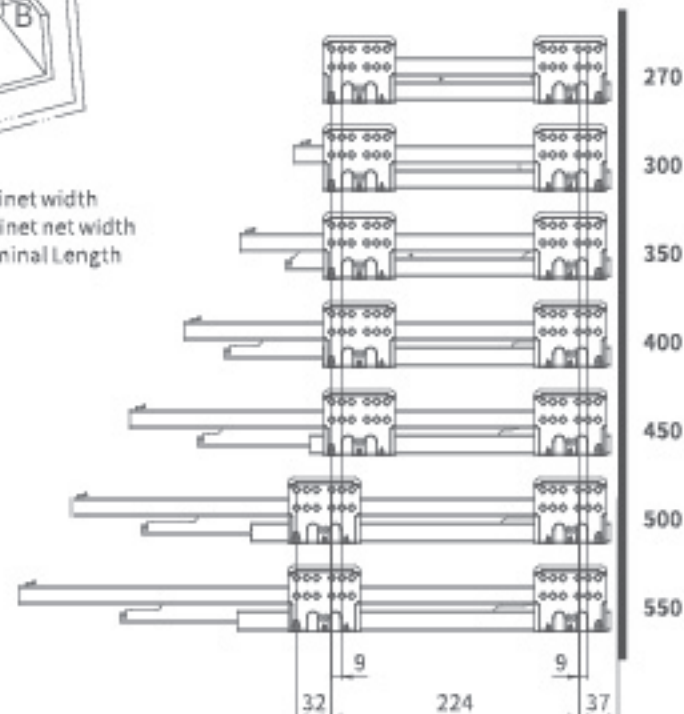


16mm(thickness)MDFcutting size

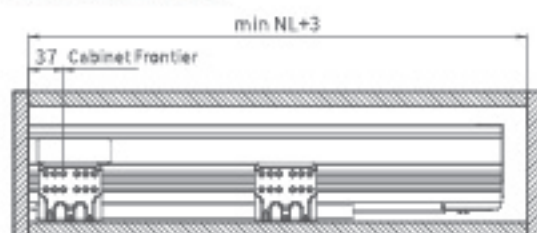


KB Cabinet width
LW Cabinet net width
NL Nominal Length

Cabinet slide mounting size



Slide mounting size



External drawer

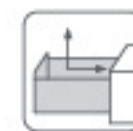
P15



Soft closing

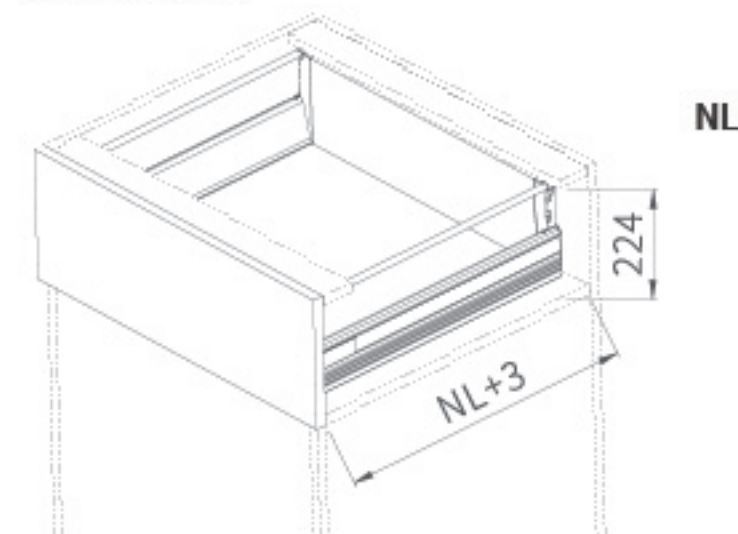


Max load bearing



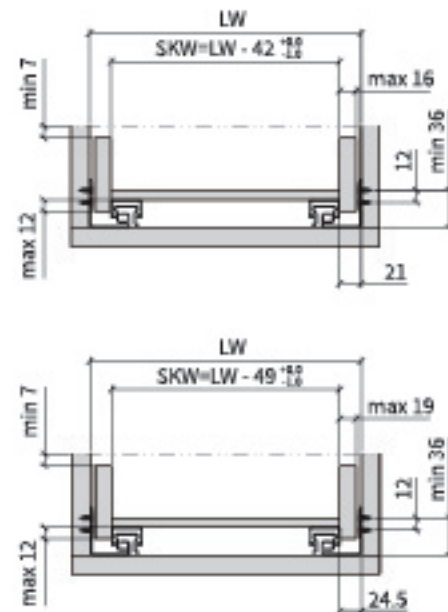
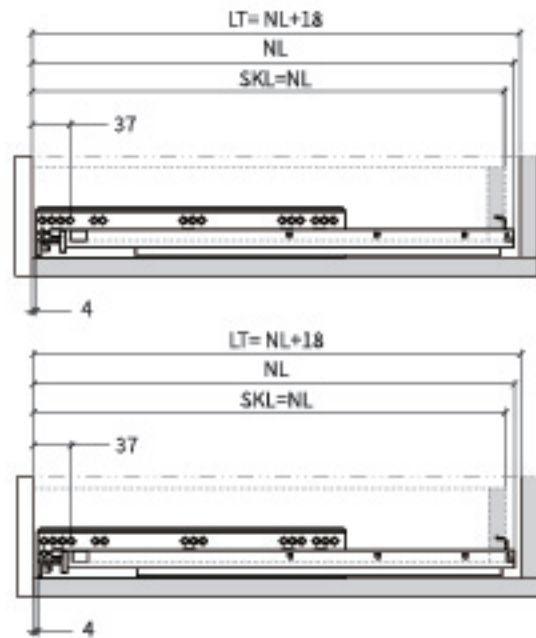
2D Adjustment

Space required



FULL EXTENSION SYNCHRONIZED CONCEALED DRAWER SLIDE WITH PIN

Item NO.: L03530102801



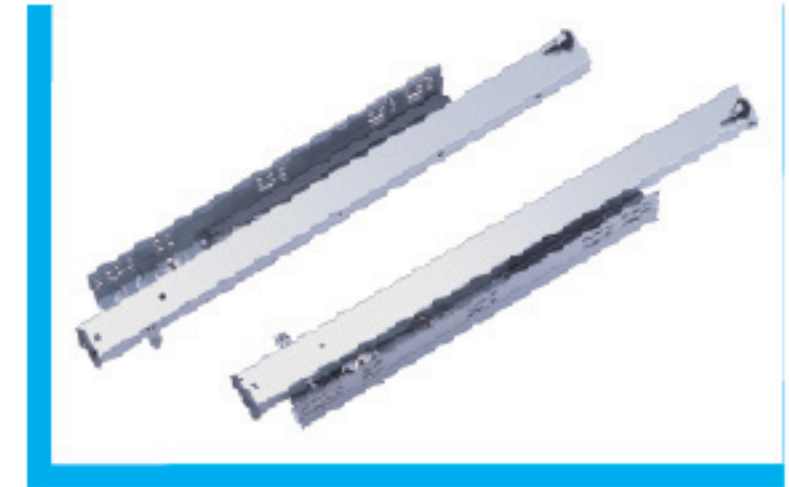
NL= Nominal Slide Length

LT= Cabinet Interior Depth

LW= Cabinet Internal Width

SKL= Drawer Length

SKW= Drawer Width



Soft closing

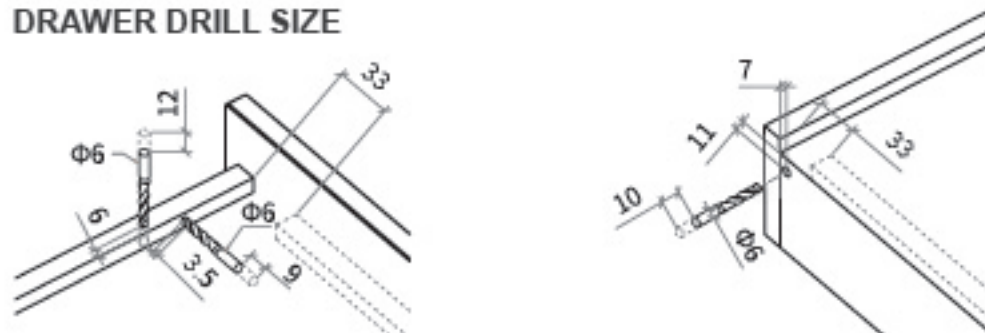


Full extension



Max load bearing

DRAWER DRILL SIZE

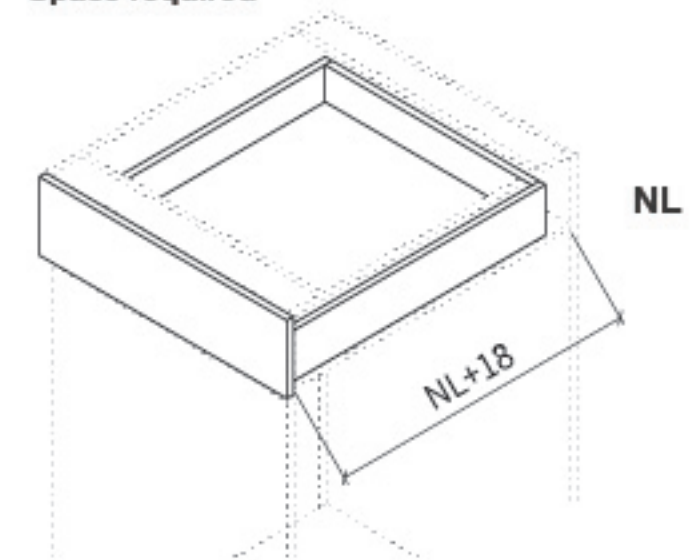


NL	300	350	400	450	500	550
A	255	305	355	405	455	505
B	235	285	335	385	435	485

P17

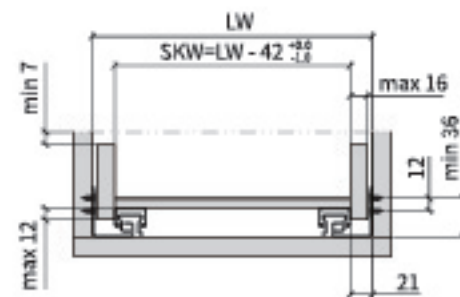
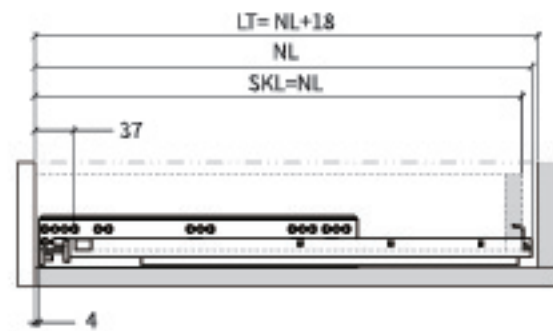


Space required



FULL EXTENSION CONCEALED SLIDE WITH HANDLES

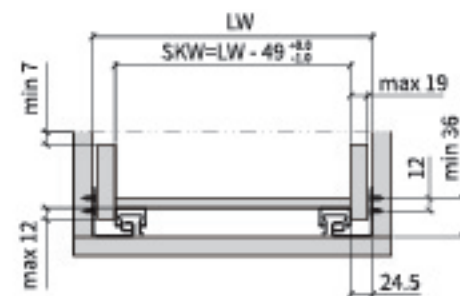
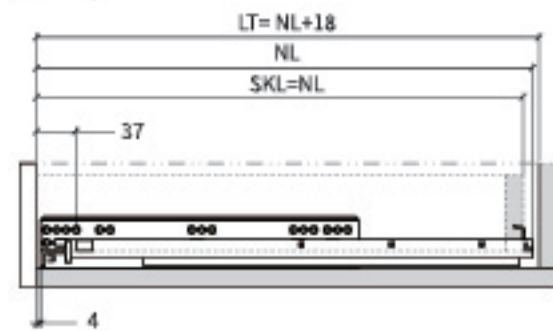
Item NO.: L03530103401



NL= Nominal Slide Length

LT= Cabinet Interior Depth

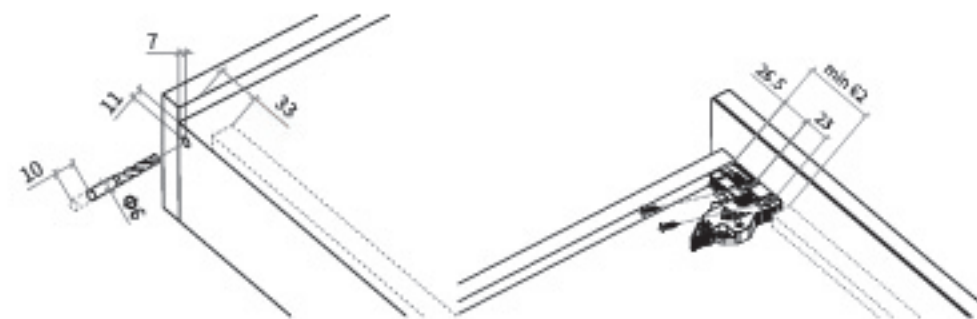
LW= Cabinet Internal Width



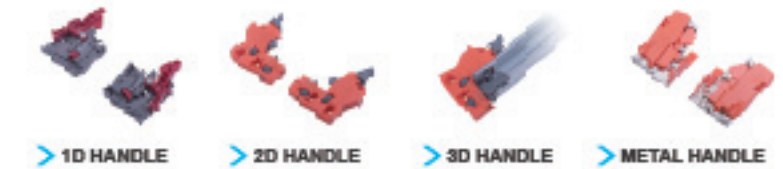
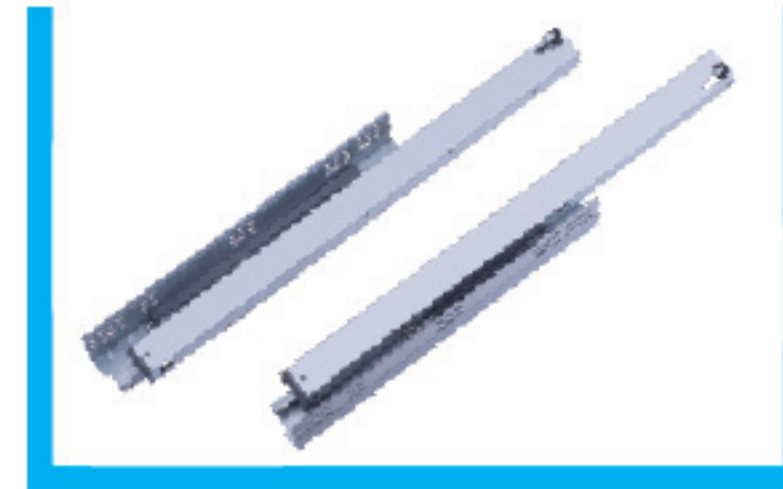
SKL= Drawer Length

SKW= Drawer Width

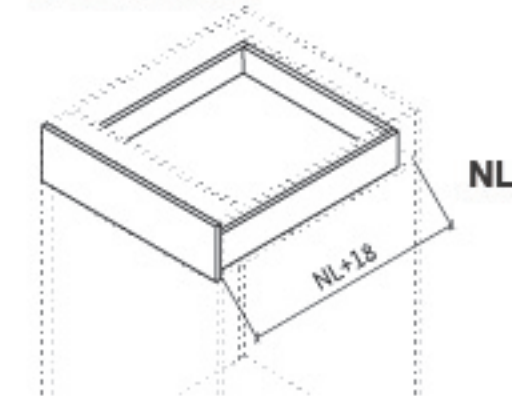
DRAWER DRILL SIZE



NL	Cabinet edge
300	9 9 9 9
350	9 9 9 9
400	9 9 9 9
450	9 9 9 9
500	9 9 9 9 9 9
550	9 9 9 9 9 9
	37 128 96 96

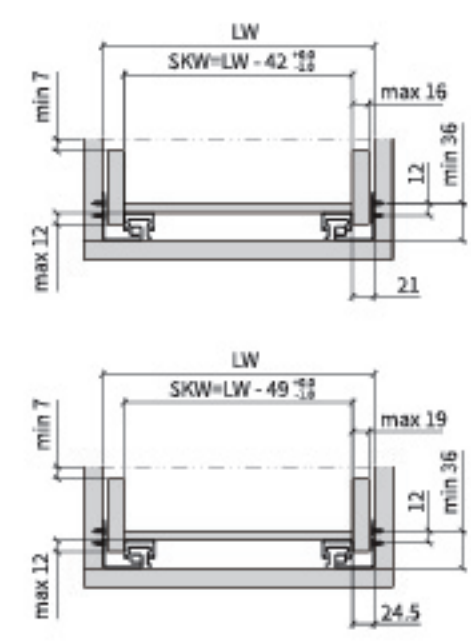
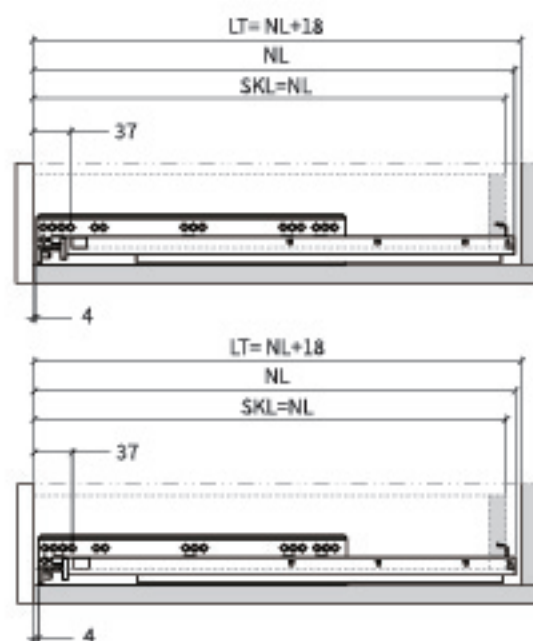
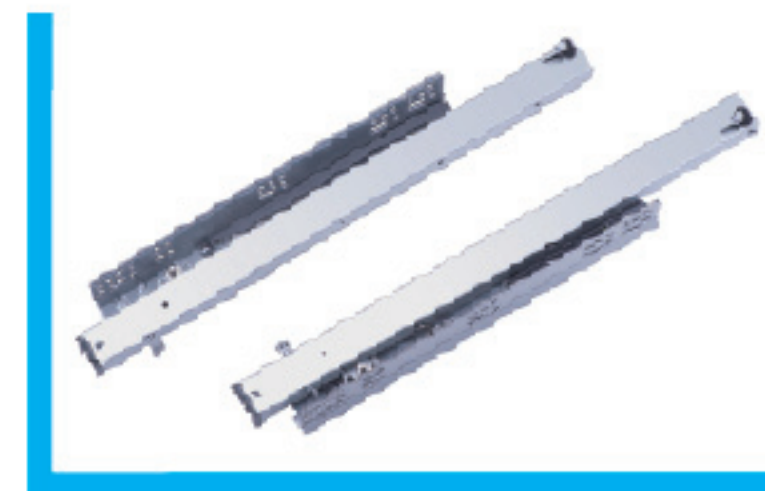


Space required



FULL EXTENSION CONCEALED SLIDE WITH PIN

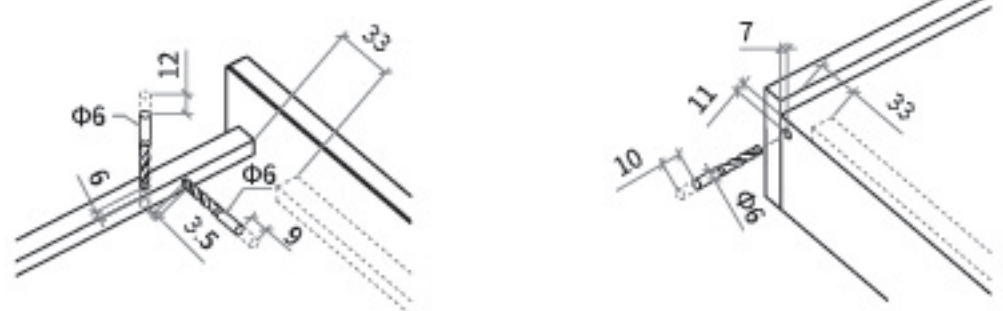
Item NO.: L03530105001



NL= Nominal Slide Length
LT= Cabinet Interior Depth
LW= Cabinet Internal Width
SKL= Drawer Length
SKW= Drawer Width

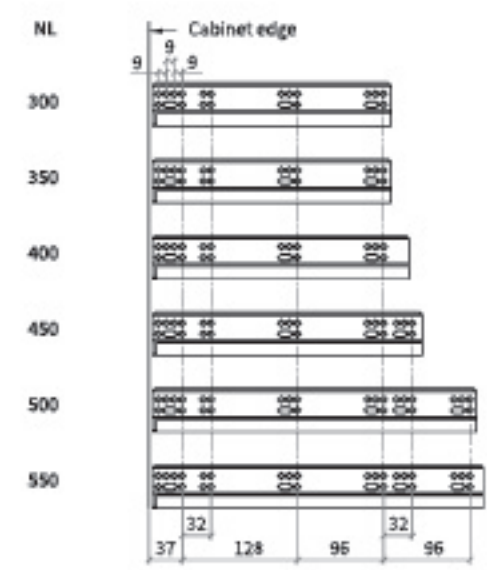


DRAWER DRILL SIZE

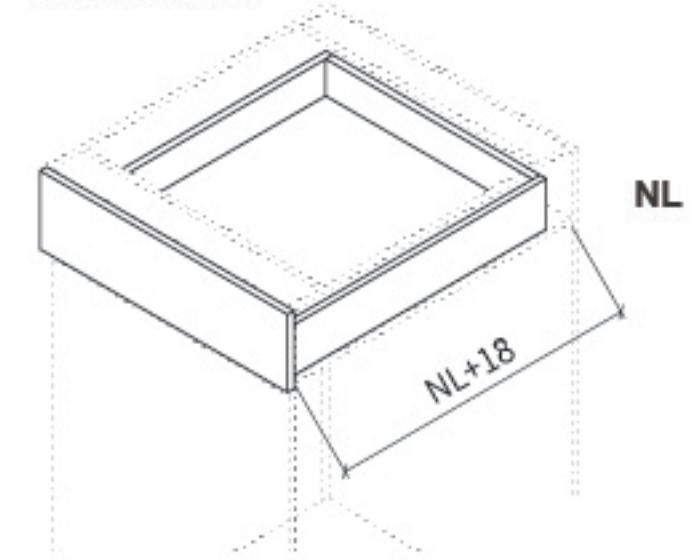


NL	300	350	400	450	500	550
A	255	305	355	405	455	505
B	235	285	335	385	435	485

P19

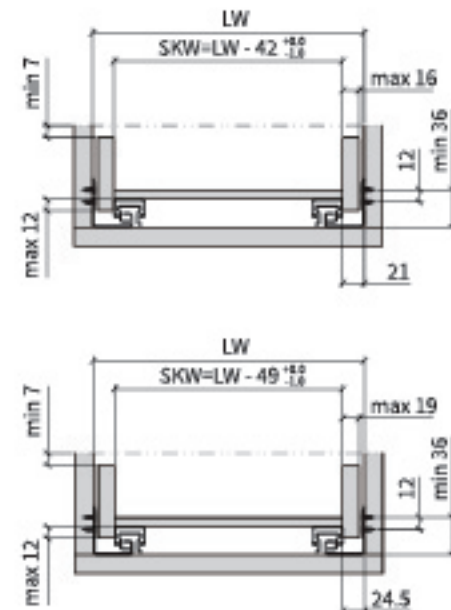
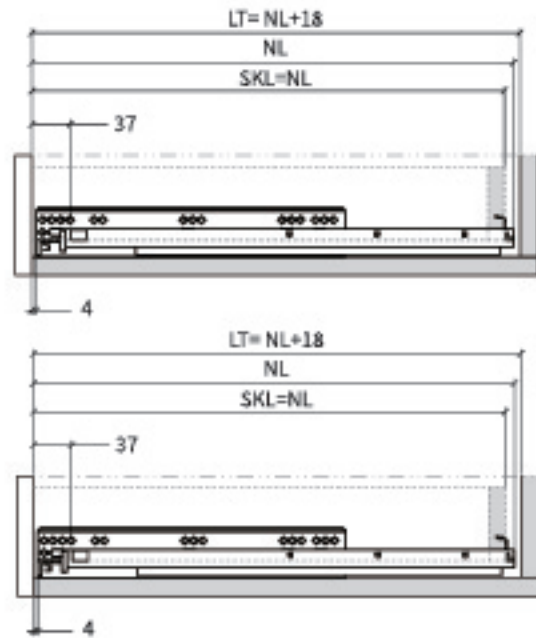
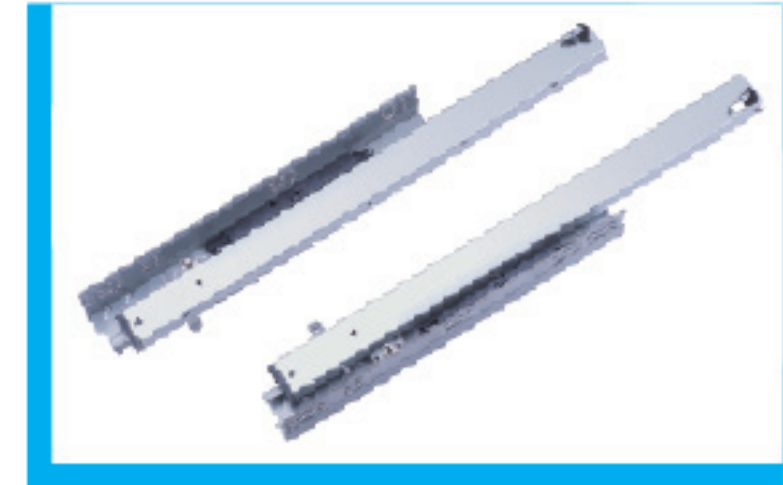


Space required



FULL EXTENSION SYNCHRONIZED PUSH -TO-OPEN CONCEALED SLIDE WITH PIN

Item NO.: L03530102801



NL= Nominal Slide Length

LT= Cabinet Interior Depth

LW= Cabinet Internal Width

SKL= Drawer Length

SKW= Drawer Width



Soft closing

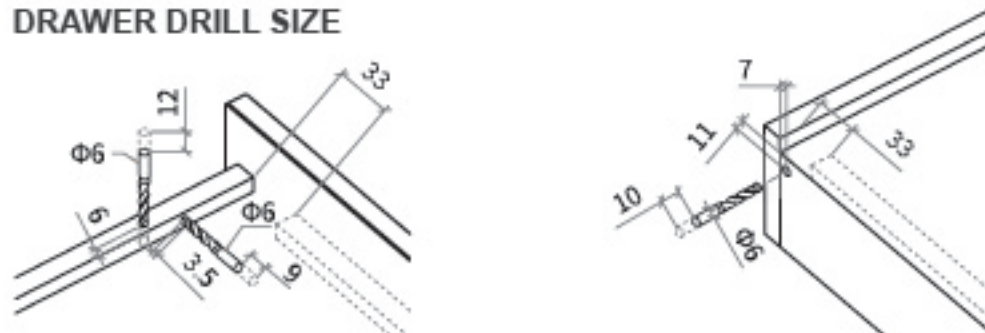


Full extension



Max load bearing

DRAWER DRILL SIZE

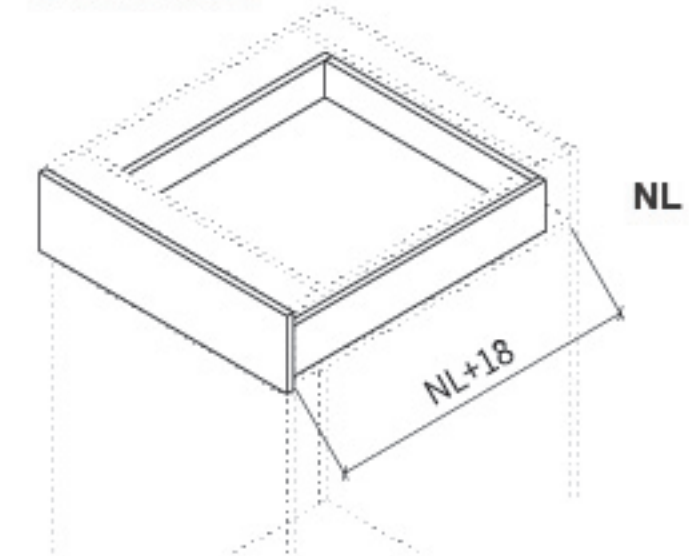


NL	300	350	400	450	500	550
A	255	305	355	405	455	505
B	235	285	335	385	435	485

P21

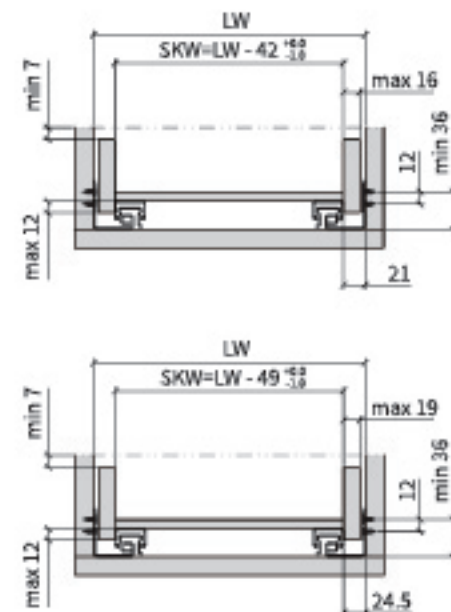
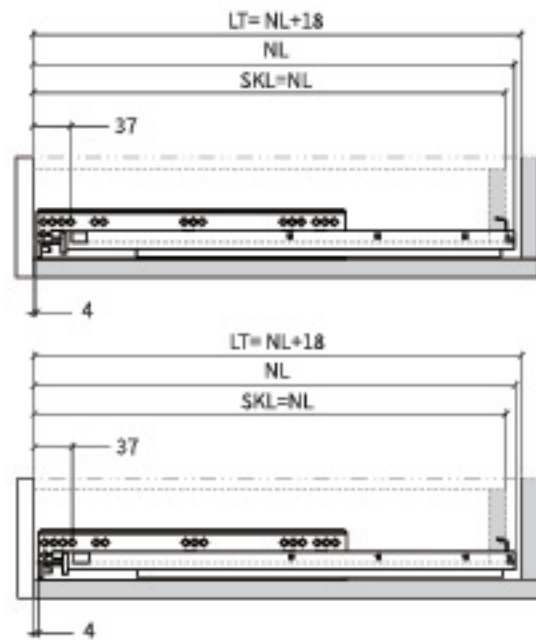


Space required



FULL EXTENSION PUSH -TO-OPEN CONCEALED SLIDE WITH PIN

Item NO.: L03530108601



NL= Nominal Slide Length

LT= Cabinet Interior Depth

LW= Cabinet Internal Width

SKL= Drawer Length

SKW= Drawer Width



Soft closing

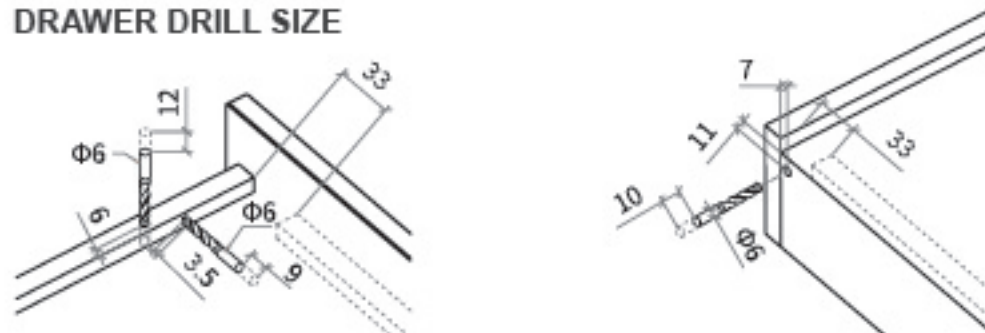


Full extension



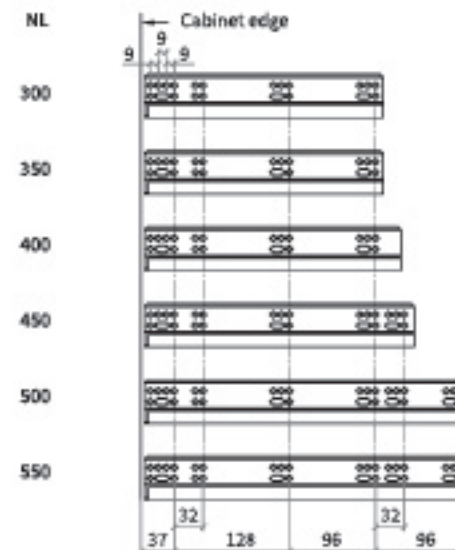
Max load bearing

DRAWER DRILL SIZE

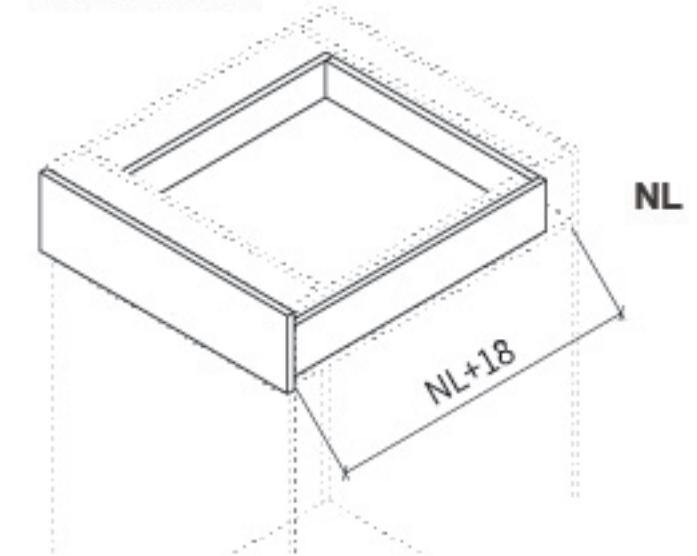


NL	300	350	400	450	500	550
A	255	305	355	405	455	505
B	235	285	335	385	435	485

P23

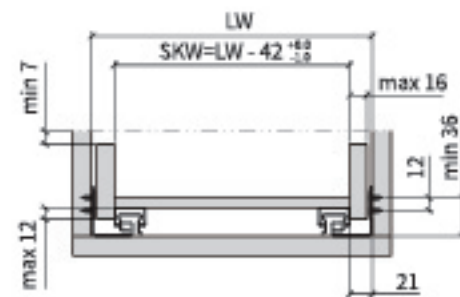
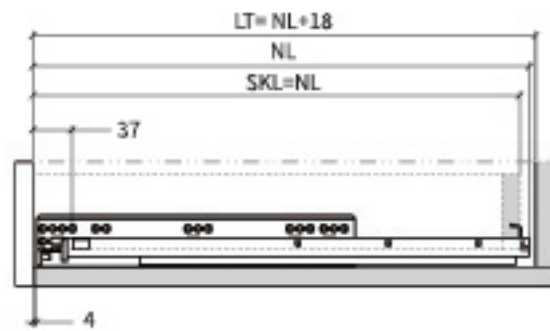


Space required



FULL EXTENSION CONCEALED SLIDE-AMERICAN TYPE

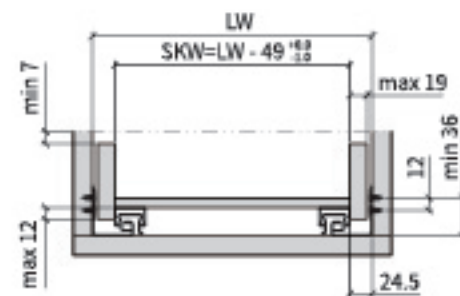
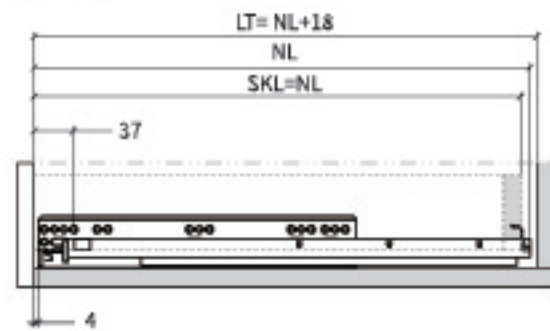
Item NO.: L03530109201



NL= Nominal Slide Length

LT= Cabinet Interior Depth

LW= Cabinet Internal Width



SKL= Drawer Length

SKW= Drawer Width



> 1D HANDLE

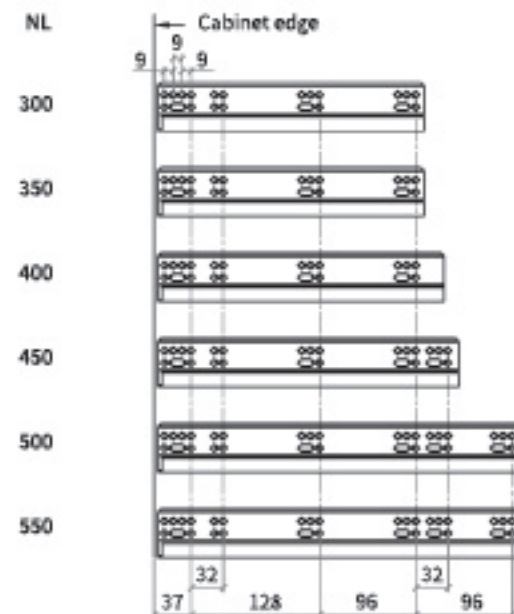
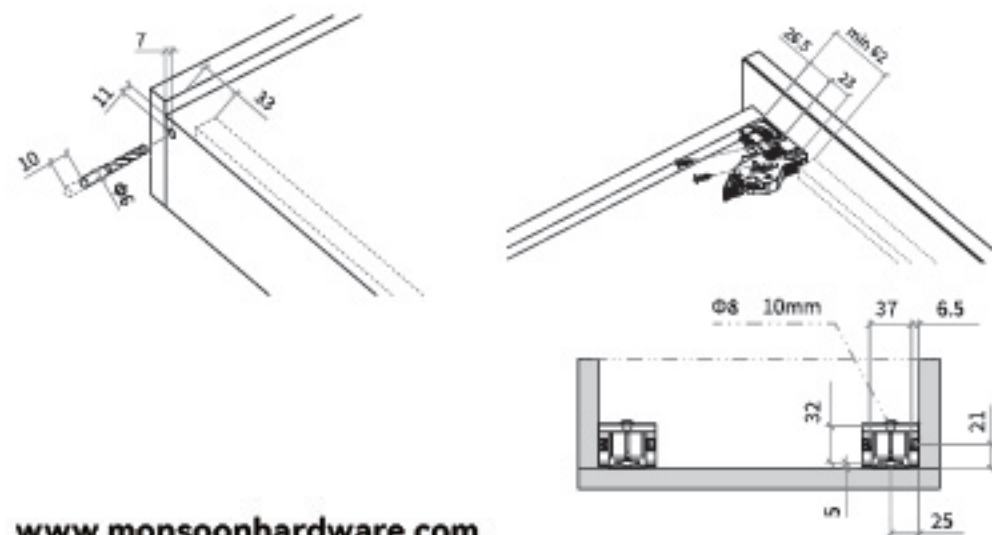


> 2D HANDLE



> METAL HANDLE

DRAWER DRILL SIZE



Soft closing

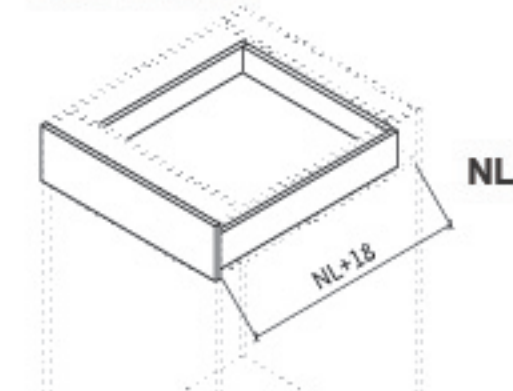


Full extension



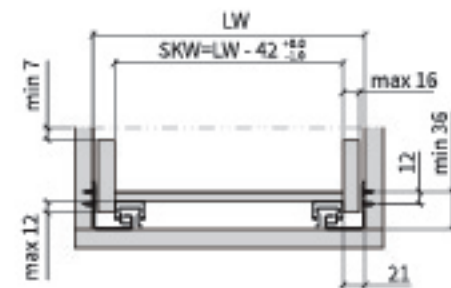
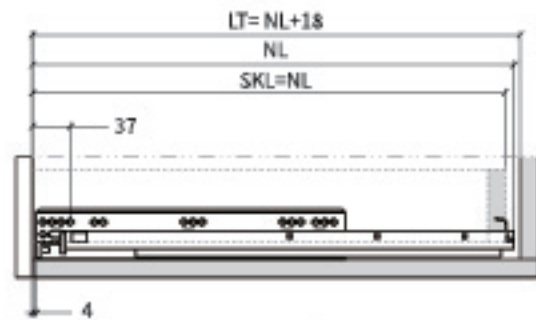
Max load bearing

Space required



SINGLE EXTENSION CONCEALED SLIDE WITH PIN

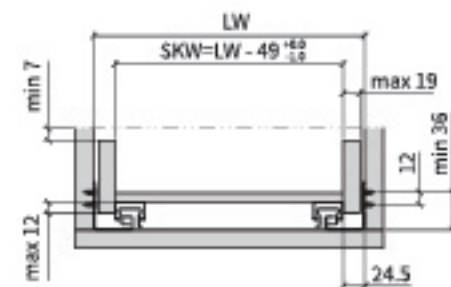
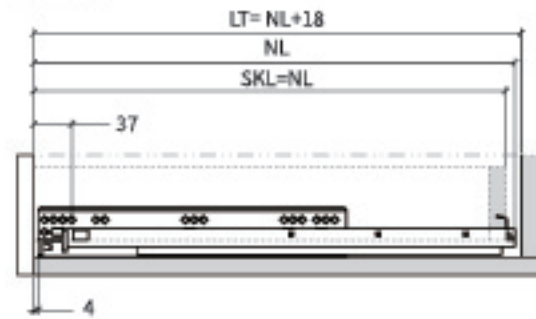
Item NO.: L03530110801



NL= Nominal Slide Length

LT= Cabinet Interior Depth

LW= Cabinet Internal Width

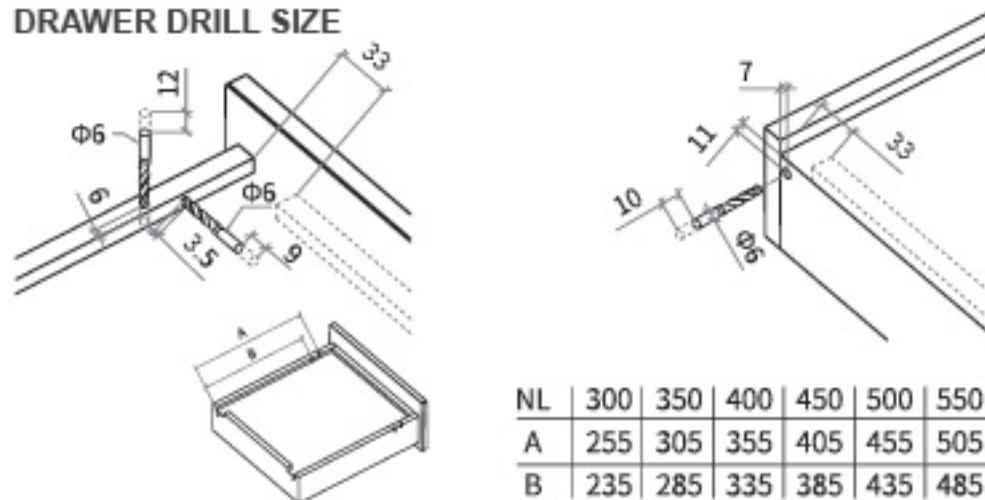


SKL= Drawer Length

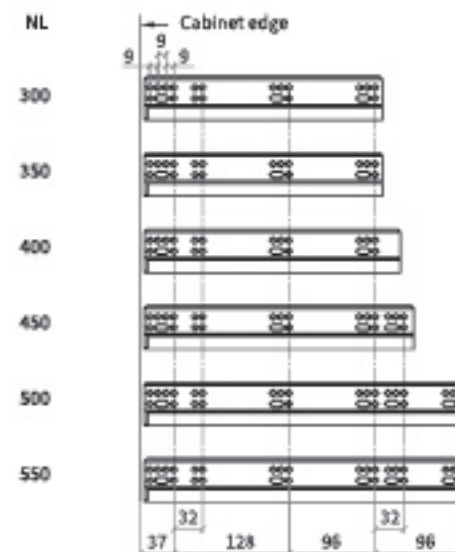
SKW= Drawer Width



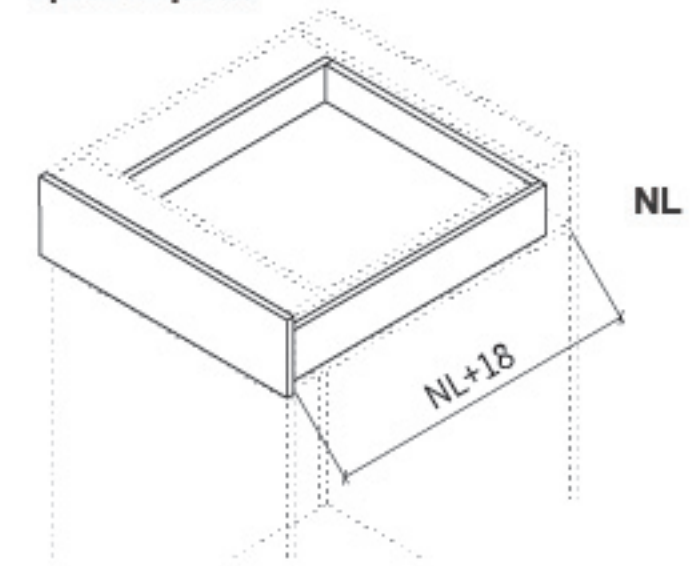
DRAWER DRILL SIZE



NL	300	350	400	450	500	550
A	255	305	355	405	455	505
B	235	285	335	385	435	485

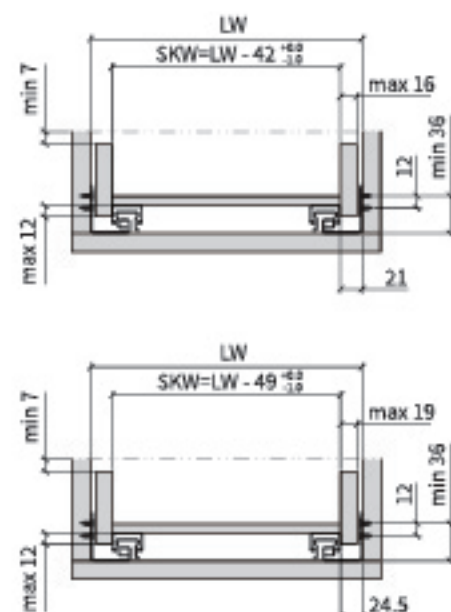
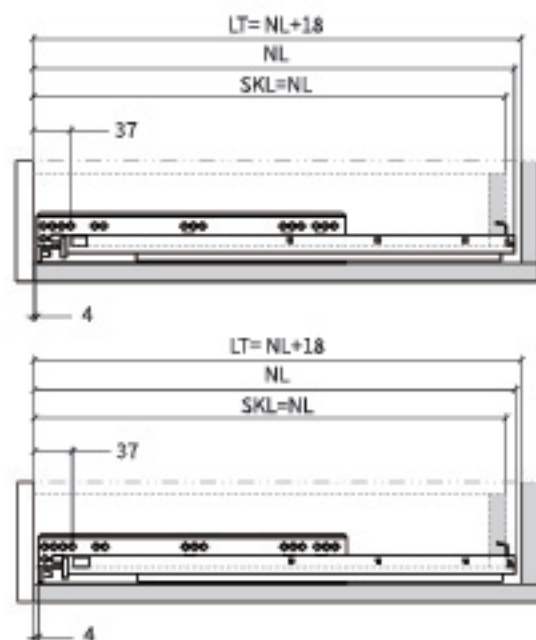


Space required



SINGLE EXTENSION CONCEALED SLIDE WITH HANDLES

Item NO.: L0353011201



NL= Nominal Slide Length

LT= Cabinet Interior Depth

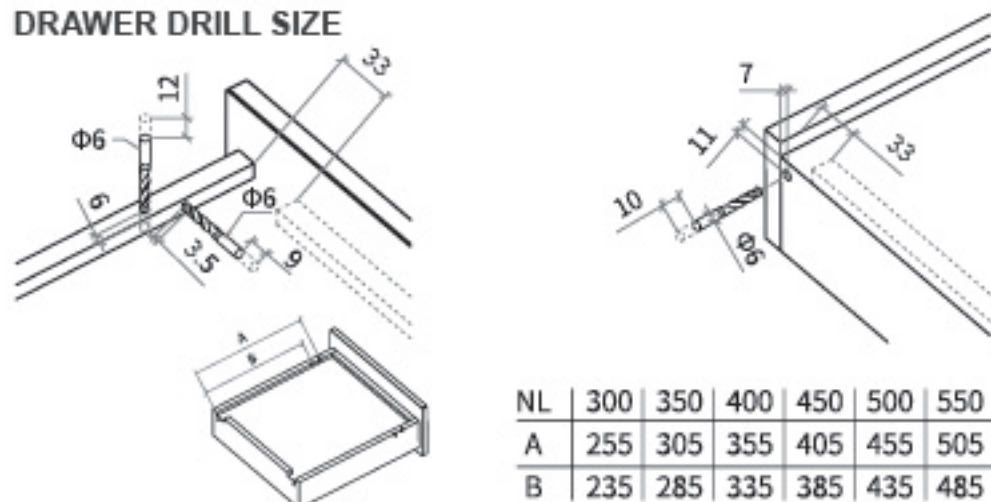
LW= Cabinet Internal Width

SKL= Drawer Length

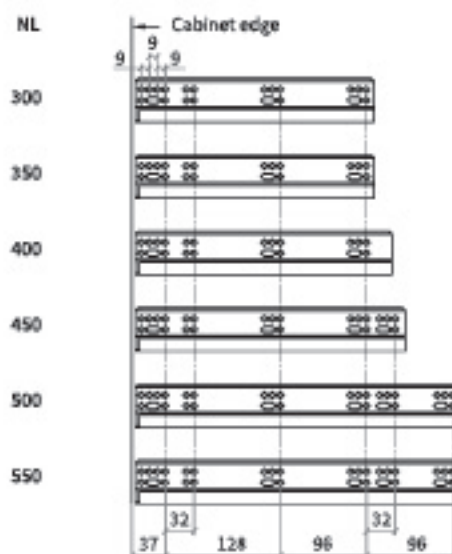
SKW= Drawer Width



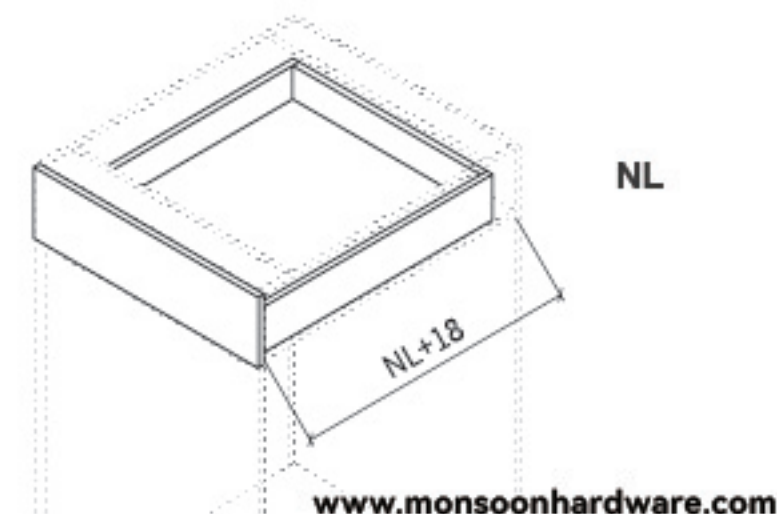
DRAWER DRILL SIZE



NL	300	350	400	450	500	550
A	255	305	355	405	455	505
B	235	285	335	385	435	485

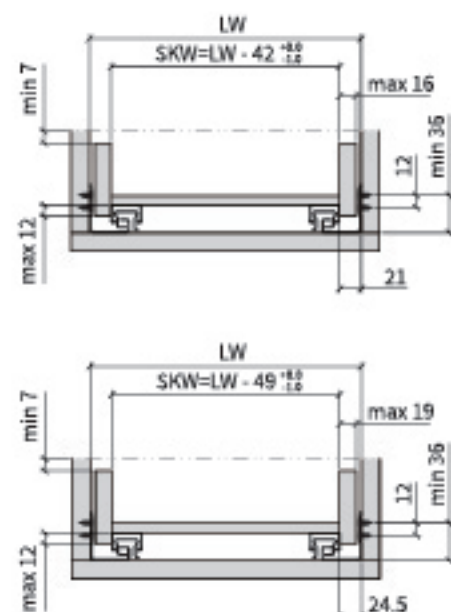
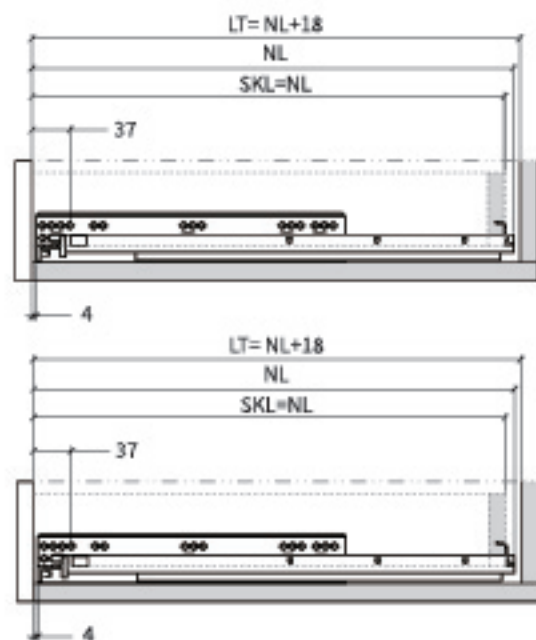


Space required



SINGLE EXTENSION CONCEALED SLIDE WITH 1D HANDLES

Item NO.: L0353011201



NL= Nominal Slide Length

LT= Cabinet Interior Depth

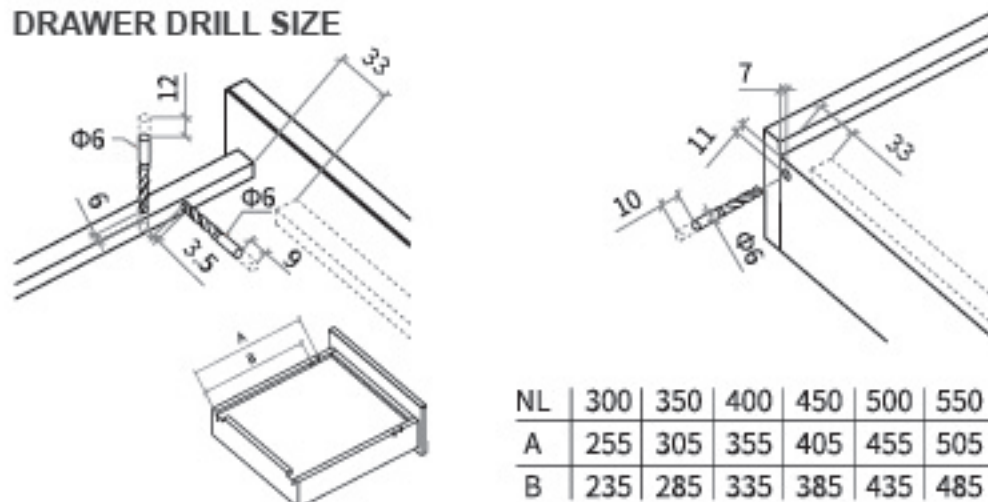
LW= Cabinet Internal Width

SKL= Drawer Length

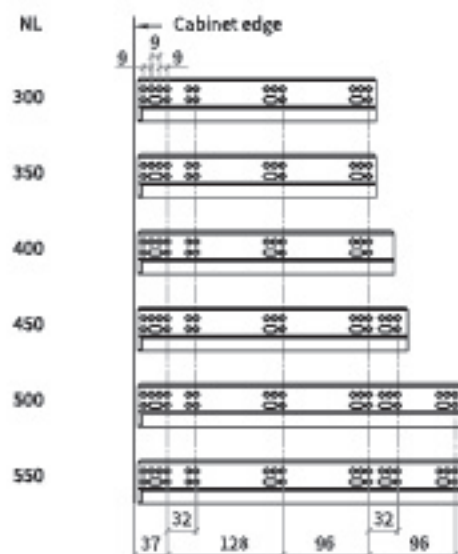
SKW= Drawer Width



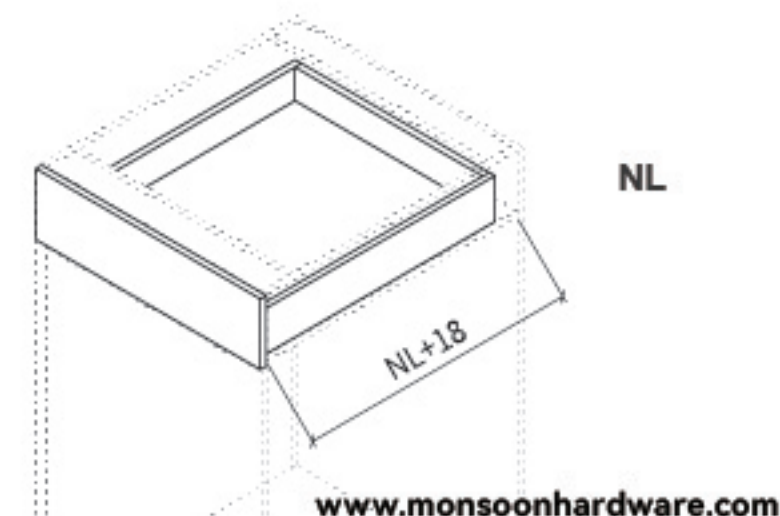
DRAWER DRILL SIZE



NL	300	350	400	450	500	550
A	255	305	355	405	455	505
B	235	285	335	385	435	485

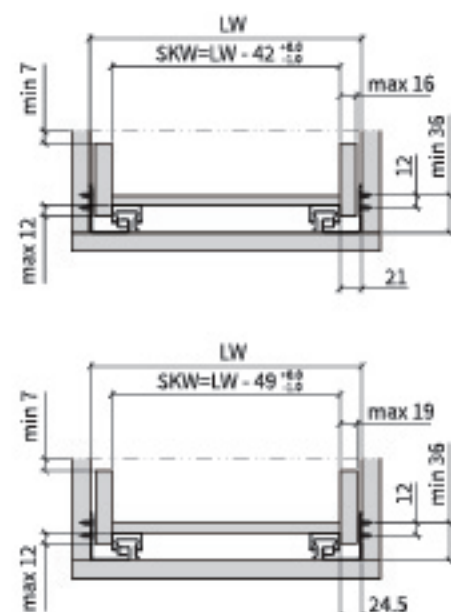
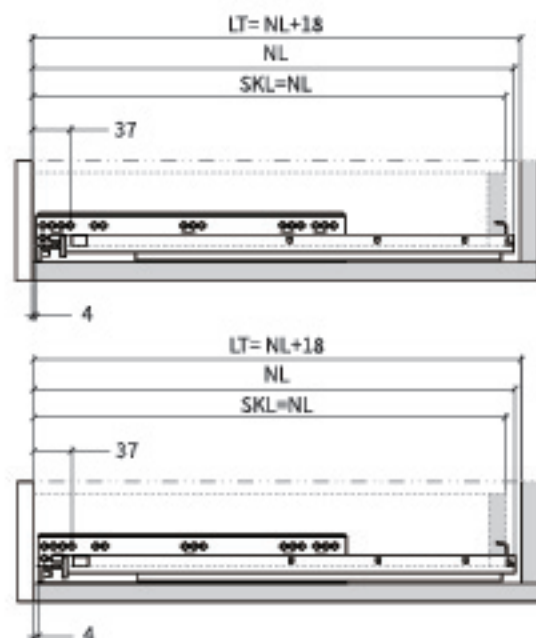


Space required



SINGLE EXTENSION PUSH-TO-OPEN CONCEALED SLIDE WITH PIN

Item NO.: L03530112601



NL= Nominal Slide Length

LT= Cabinet Interior Depth

LW= Cabinet Internal Width

SKL= Drawer Length

SKW= Drawer Width



Soft closing

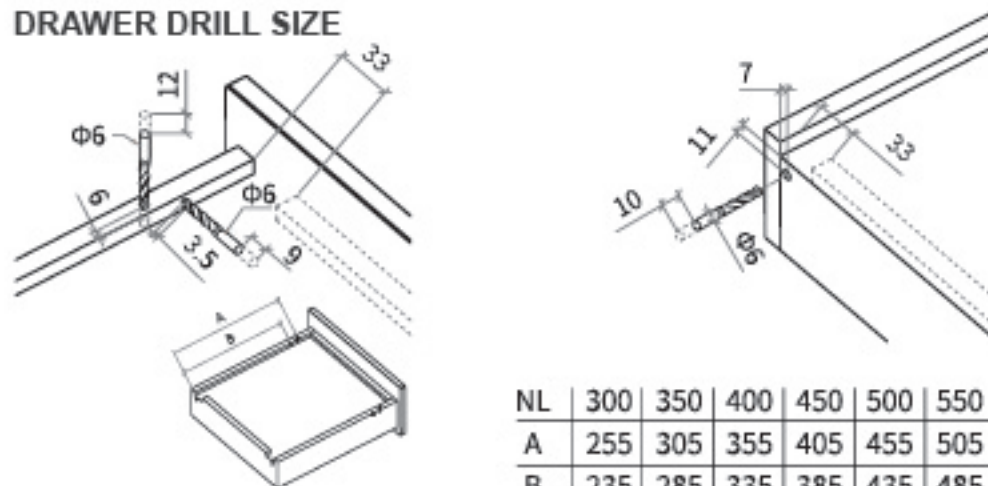


Full extension



Max load bearing

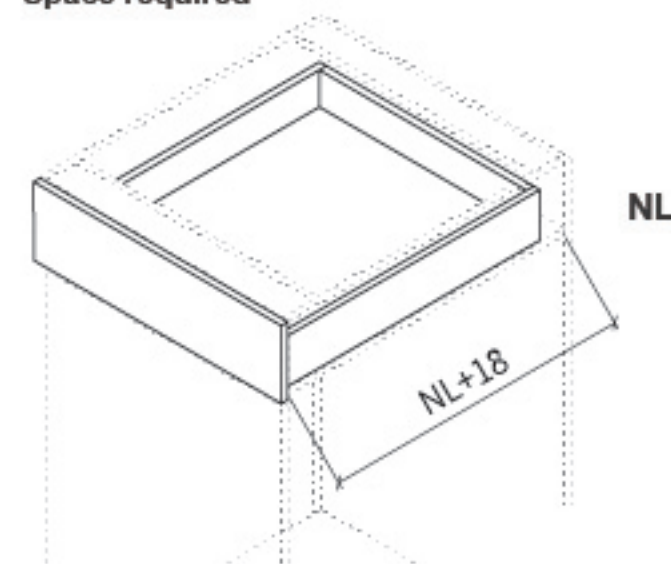
DRAWER DRILL SIZE



NL	300	350	400	450	500	550
A	255	305	355	405	455	505
B	235	285	335	385	435	485

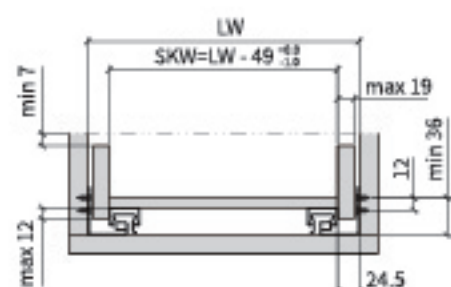
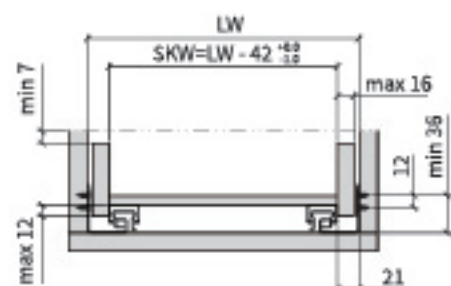
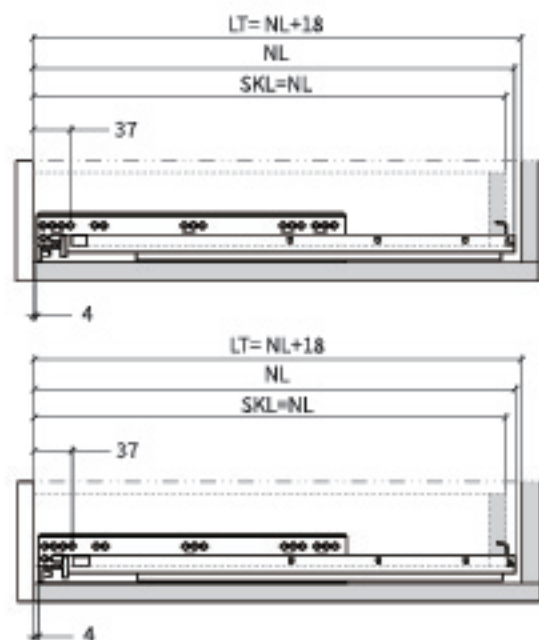


Space required



SINGLE EXTENSION PUSH-TO-OPEN CONCEALED SLIDE WITH 1D HANDLES

Item NO.: L03530113001



NL= Nominal Slide Length

LT= Cabinet Interior Depth

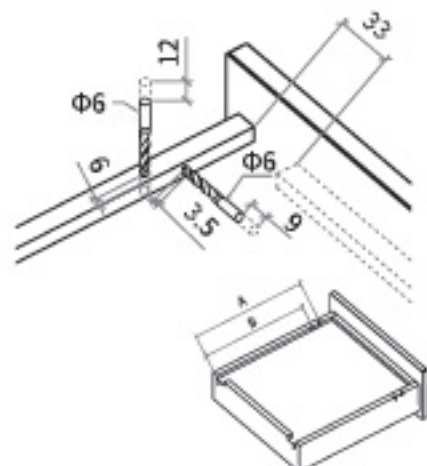
LW= Cabinet Internal Width

SKL= Drawer Length

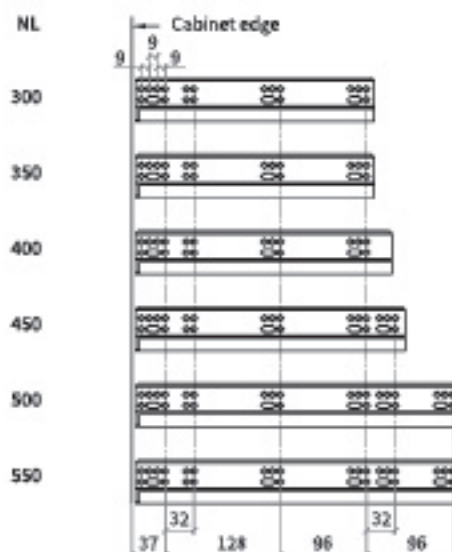
SKW= Drawer Width



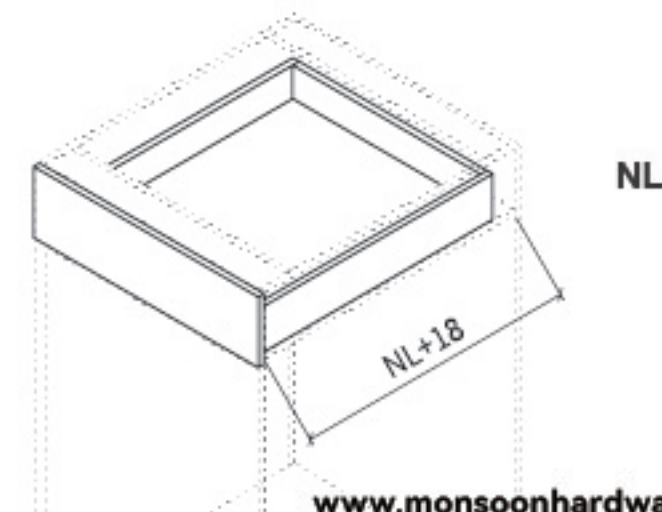
DRAWER DRILL SIZE



NL	300	350	400	450	500	550
A	255	305	355	405	455	505
B	235	285	335	385	435	485

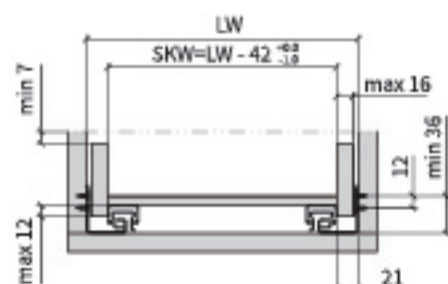
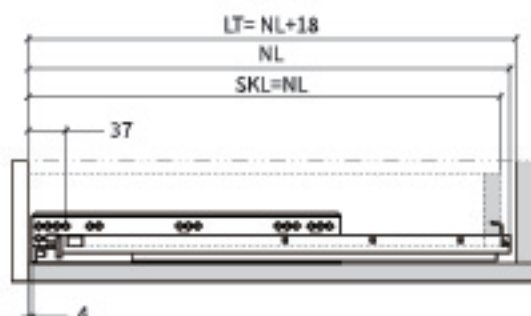


Space required



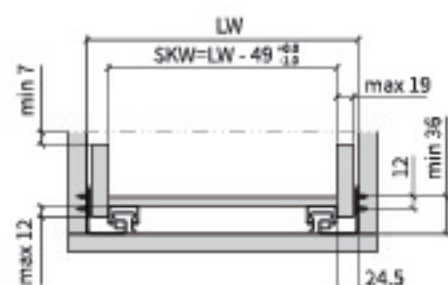
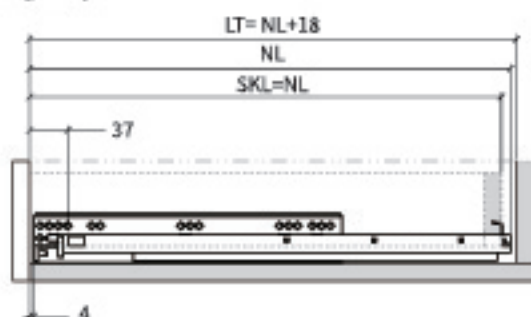
SINGLE EXTENSION CONCEALED SLIDE WITH PIN

Item NO.: L0353011601



NL= Nominal Slide Length

LT= Cabinet Interior Depth



LW= Cabinet Internal Width

SKL= Drawer Length

SKW= Drawer Width



Soft closing

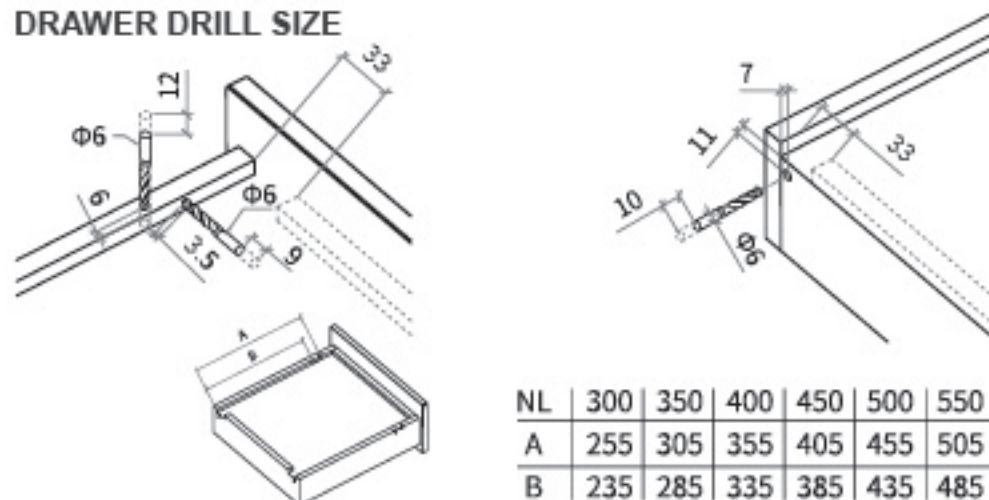


Full extension

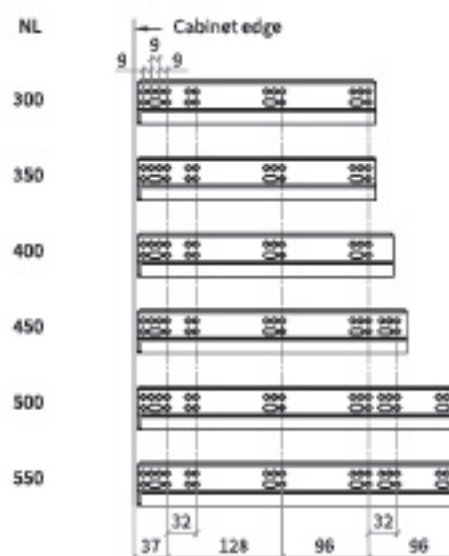


Max load bearing

DRAWER DRILL SIZE



NL	300	350	400	450	500	550
A	255	305	355	405	455	505
B	235	285	335	385	435	485



Space required

