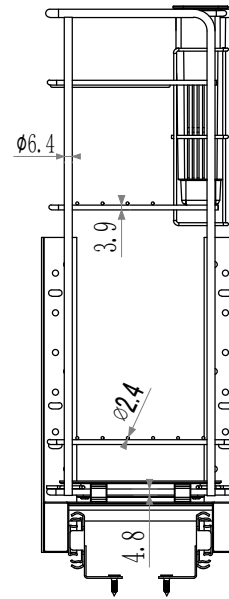
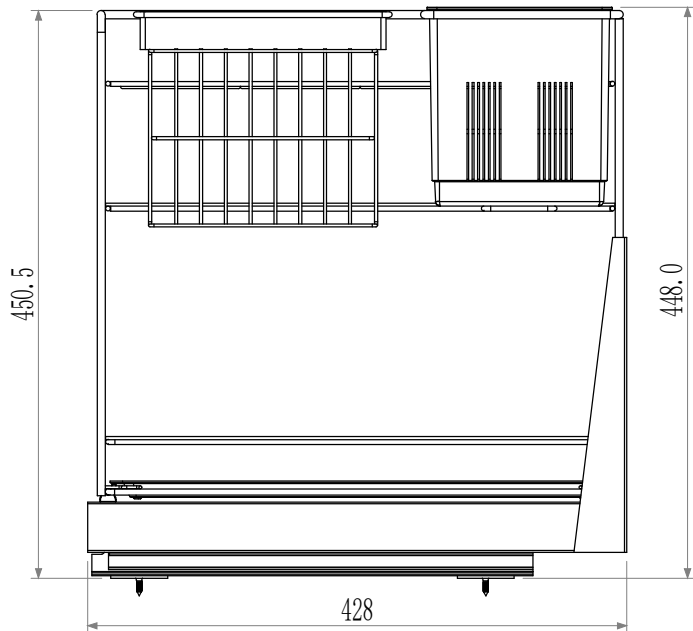
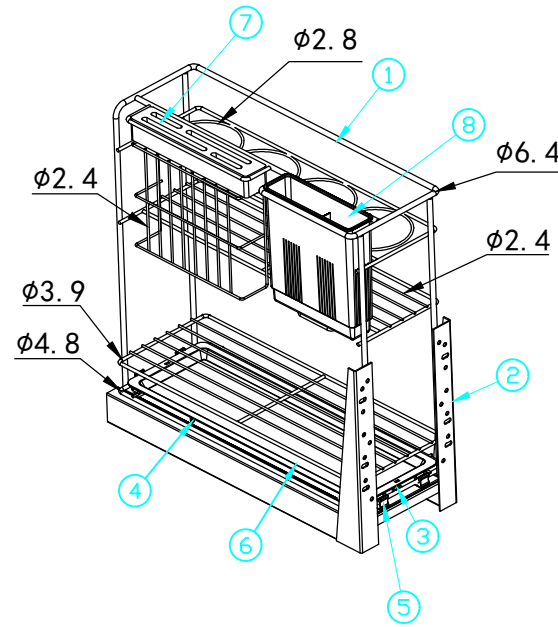
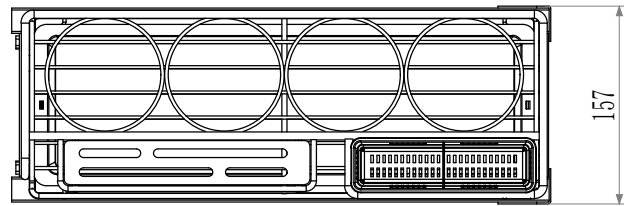


Pull out basket for cabinet 200mm



| range of sizes | tolerance           |
|----------------|---------------------|
| 0~3mm          | $\pm 0.05\text{mm}$ |
| 3~10mm         | $\pm 0.1\text{mm}$  |
| 10~30mm        | $\pm 0.25\text{mm}$ |
| 30~100mm       | $\pm 1\text{mm}$    |
| 100~300mm      | $\pm 3\text{mm}$    |
| Over 300mm     | $\pm 5\text{mm}$    |

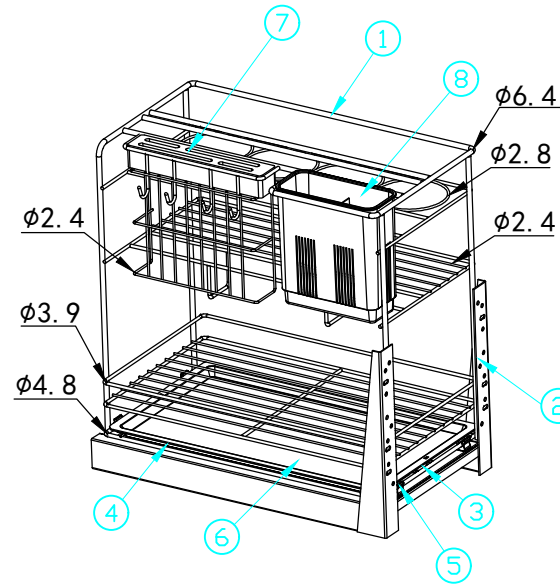
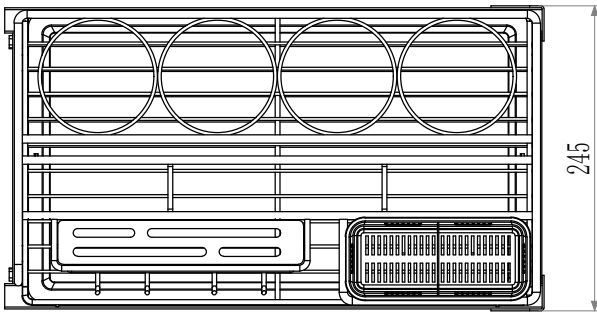
Technical requirement  
 1. Material: The main structure is iron.  
 2. Surface treatment: according to contract order requirements.

drawing no: M06305-01B

Item: 2 tier bottom mounted basket

|      |  |          |                   |                 |
|------|--|----------|-------------------|-----------------|
| 9    | 4*8 Aluminium alloy nail                       | 6        | Page 1 of 2       | Unit: mm        |
| 8    | Small size chopstick holder                    | 1        | Main size: ▲      | Proportion: 1:6 |
| 7    | Knife holder                                   | 1        | Drawing: Ivan     | Date: 2022-8-22 |
| 6    | Orthogonal water drainer for cabinet 200mm     | 1        | examination: Hugo | Date: 2022-9-16 |
| 5    | Clip for basket base                           | 4        | revise mark: ▲    |                 |
| 4    | Phlips head Pan type self tapping screw ST4*16 | 8        | reviser:          | Date:           |
| 3    | 14"full extension ball bearing slide           | 1        | describe:         |                 |
| 2    | Base for cabinet 200mm                         | 1        |                   |                 |
| 1    | Carcase for cabinet 200mm                      | 1        |                   |                 |
| Item | Item   | Quantity |                   |                 |

Pull out basket for cabinet 300mm

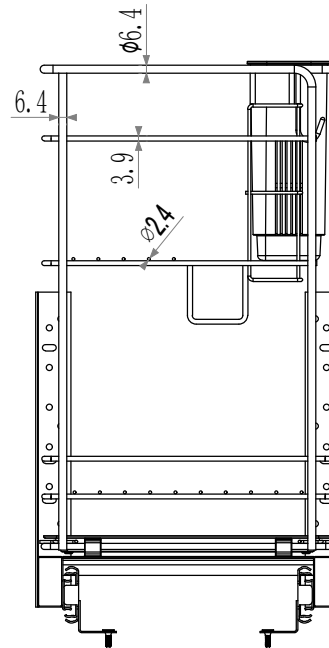
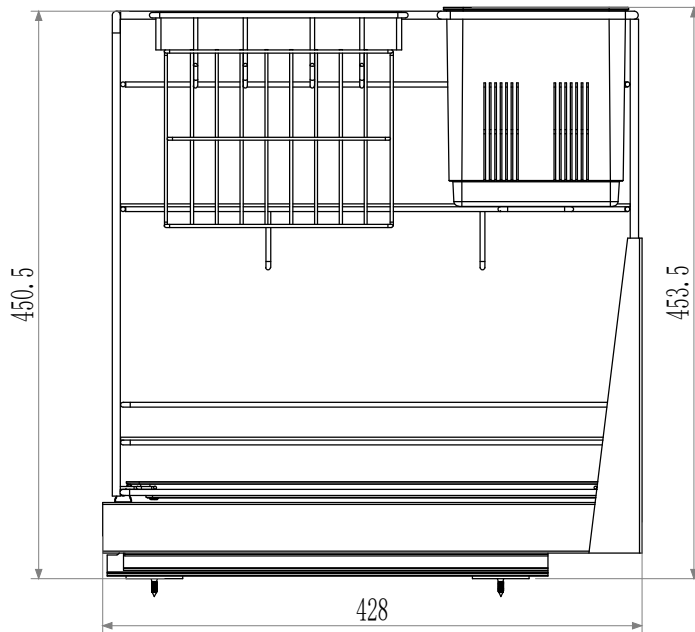


| range of sizes | tolerance           |
|----------------|---------------------|
| 0~3mm          | $\pm 0.05\text{mm}$ |
| 3~10mm         | $\pm 0.1\text{mm}$  |
| 10~30mm        | $\pm 0.25\text{mm}$ |
| 30~100mm       | $\pm 1\text{mm}$    |
| 100~300mm      | $\pm 3\text{mm}$    |
| Over 300mm     | $\pm 5\text{mm}$    |

Technical requirement  
 1. Material: The main structure is iron.  
 2. Surface treatment: according to contract order requirements.

drawing no: M06305-01B

Item: 3 tier bottom mounted basket



|      |  |          |                   |                 |
|------|--|----------|-------------------|-----------------|
| 9    | 4*8 Aluminium alloy nail                       | 6        | Page 2 of 2       | Unit: mm        |
| 8    | Small size chopstick holder                    | 1        | Main size: ▲      | Proportion: 1:6 |
| 7    | Knife holder                                   | 1        | Drawing: Ivan     | Date: 2022-8-22 |
| 6    | Orthogonal water drainer for cabinet 300mm     | 1        | examination: Hugo | Date: 2022-9-16 |
| 5    | Clip for basket base                           | 4        | revise mark: ▲    |                 |
| 4    | Phlips head Pan type self tapping screw ST4*16 | 8        | reviser:          | Date:           |
| 3    | 14"full extension ball bearing slide           | 1        | describe:         |                 |
| 2    | Base for cabinet 300mm                         | 1        |                   |                 |
| 1    | Carcase for cabinet 300mm                      | 1        |                   |                 |
| Item | Item   | Quantity |                   |                 |