

HV1006 Series High Voltage Input Power Transformer

1. Features:

- ① The fully enclosed printed circuit board is directly welded and installed, easy to use and beautiful in appearance;
- ② Compact structure, strong, anti-vibration, moisture-proof, flame-retardant, high electric strength;
- ③ High input voltage, small size and high power density.

2. Ambient Conditions:

- ① Ambient temperature: $-25^{\circ}\text{C}\sim+70^{\circ}\text{C}$
- ② Relative humidity: $\leq 90\%$ at 40°C
- ③ Atmospheric pressure: $860\sim 1060\text{mbar}$ ($650\sim 800\text{mmHg}$ approximately)

3. Insulation Rating: Class B (130°C)

4. Safety Features:

- ① Insulation resistance: $> 1000\text{M}\Omega$ in normal condition;
- ② Insulation withstand voltages: better than GB/T12590 standard requirements;
- ③ Fire retardancy: In conformity with UL94-V0;
- ④ Insulation impact strength: Continuously 10 times impact of $6\text{kV}/50\mu\text{s}$.

5. Safety Approval: CE

6. Rated Power : 6VA

7. Outline Drawing , Installation Dimension and Pin Position:

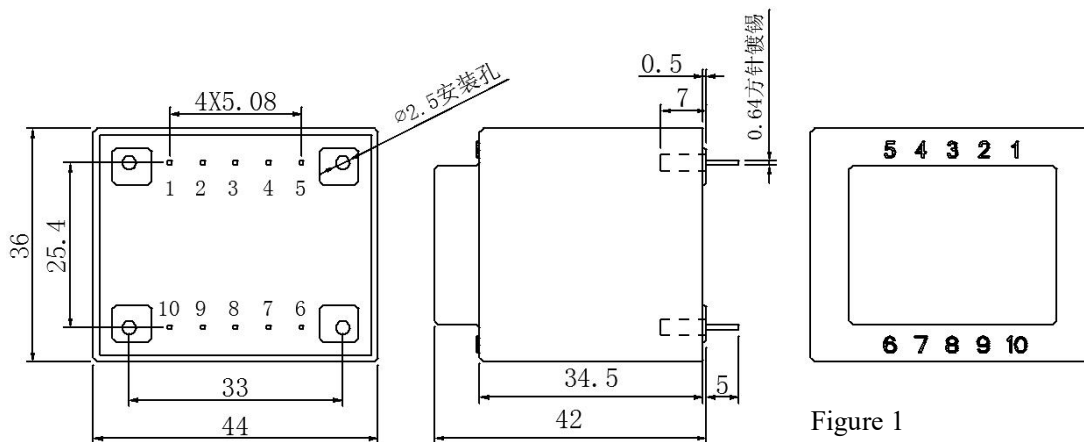
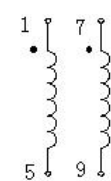


Figure 1

8. Model List:

HV1006-01

Primary	Pins	Input Voltage	Idle Current	Output Power	Winding
	1-5	1000V /50Hz	$\leq 3 \text{ mA}$	6VA	
Secondary	Pins	Idle Voltage	Idle Voltage	Rated Current	
	7-9	18.5V	15V	400mA	
Safety Feature	Primary to Secondary	$\geq 10\text{kV} / 60\text{S}$			

9. The parameters of this series of products are customized, and the parameters can be designed according to customer requirements.

HV1210 Series High Voltage Input Power Transformer

1. Features:

- ①The fully enclosed printed circuit board is directly welded and installed, easy to use and beautiful in appearance;
- ②Compact structure, strong, anti-vibration, moisture-proof, flame-retardant, high electric strength;
- ③High input voltage, small size and high power density.

2. Ambient Conditions:

- ①Ambient temperature: $-25^{\circ}\text{C}\sim+70^{\circ}\text{C}$
- ②Relative humidity: $\leq 90\%$ at 40°C
- ③Atmospheric pressure: $860\sim 1060\text{mbar}$ ($650\sim 800\text{mmHg}$ approximately)

3. Insulation Rating: Class B (130°C)

4. Safety Features:

- ① Insulation resistance: $> 1000\text{M}\Omega$ in normal condition;
- ② Insulation withstand voltages: better than GB/T12590 standard requirements ;
- ③ Fire retardancy: In conformity with UL94-V0;
- ④ Insulation impact strength: Continuously 10 times impact of $6\text{kV}/50\mu\text{s}$.

5. Safety Approval: CE

6. Rated Power : 10VA

7. Outline Drawing , Installation Dimension and Pin Position:

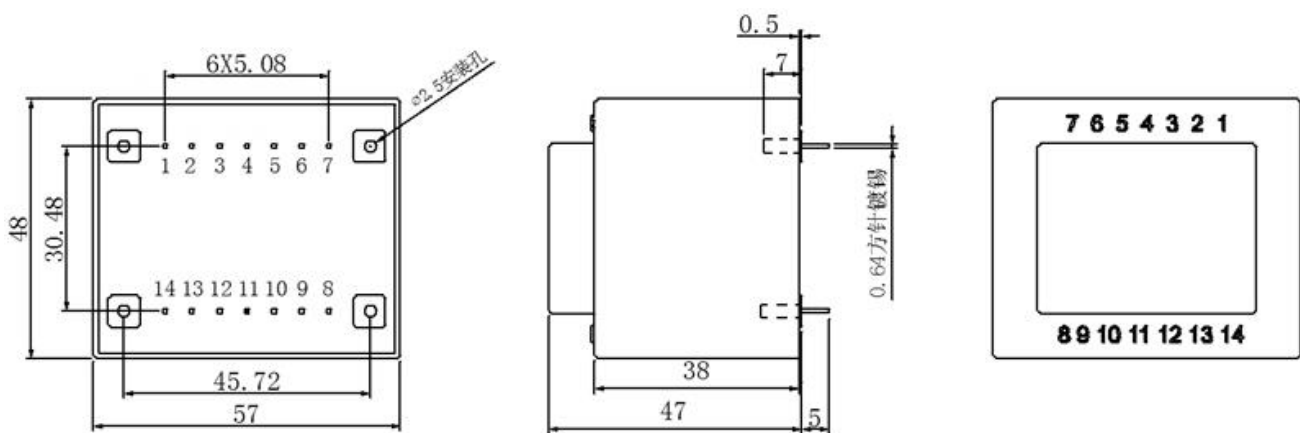
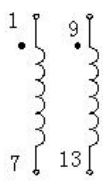


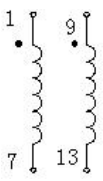
Figure 1

8. Model List:

① HV1210-01

Primary	Pins	Input Voltage	Idle Current	Output Power	Winding 
	1-7	1200V /50Hz	≤ 3 mA	10VA	
Secondary	Pins	Idle Voltage	Full Load Voltage	Rated Current	
	9-13	125.5V	110V	90mA	
Safety Feature	Primary to Secondary	≥ 12 kV / 60S			

② HV1210-02

Primary	Pins	Input Voltage	Idle Current	Output Power	Winding 
	1-7	1500V /50Hz	≤ 3 mA	10VA	
Secondary	Pins	Idle Voltage	Full Load Voltage	Rated Current	
	9-13	125.5V	110V	90mA	
Safety Feature	Primary to Secondary	≥ 12 kV / 60S			

9. The parameters of this series of products are customized, and the parameters can be designed according to customer requirements.

HV3010 Series High Voltage Input Power Transformer

1. Features:

- ①The fully enclosed printed circuit board is directly welded and installed, easy to use and beautiful in appearance;
- ②Compact structure, strong, anti-vibration, moisture-proof, flame-retardant, high electric strength;
- ③High Input Voltage, small size and high power density.

2. Ambient Conditions:

- ①Ambient temperature: $-25^{\circ}\text{C}\sim+70^{\circ}\text{C}$
- ②Relative humidity: $\leq 90\%$ at 40°C
- ③ Atmospheric pressure: $860\sim 1060\text{mbar}$ (about $650\sim 800\text{mmHg}$)

3. Insulation Rating: Class B (130°C)

4. Safety Features:

- ① Insulation resistance: $> 1000\text{M}\Omega$ in normal condition;
- ② Insulation withstand voltages: better than GB/T12590 standard requirements ;
- ③ Fire retardancy: In conformity with UL94-V0;
- ④ Insulation impact strength: Continuously 10 times impact of $6\text{kV}/50\mu\text{s}$.

5.Safety Approval: CE

6. Rated Power : 10VA

7. Outline Drawing , Installation Dimension and Pin Position (in specific product models, unused pins are not drawn out) :

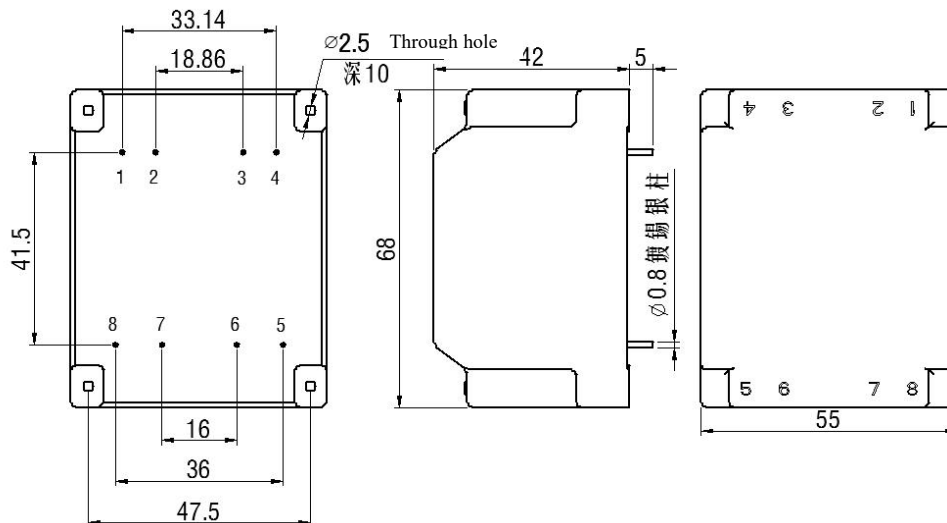
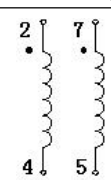


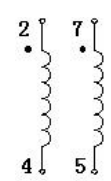
Figure 1

8. Model List:

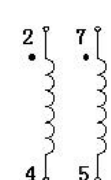
① HV3010-01

Primary	Pins	Input Voltage	Idle Current	Output Power	Winding 
	2-4	1500V /50Hz	≤ 3 mA	10VA	
Secondary	Pins	Idle Voltage	Full Load Voltage	Rated Current	
	5-7	18.2V	15V	666mA	
Safety Feature	Primary to Secondary	≥15kV / 60S			

② HV3010-02

Primary	Pins	Input Voltage	Idle Current	Output Power	Winding 
	2-4	3000V /50Hz	≤ 2 mA	10VA	
Secondary	Pins	Idle Voltage	Full Load Voltage	Rated Current	
	5-7	18.2V	15V	666mA	
Safety Feature	Primary to secondary	≥1 5kV / 60S			

③ HV3010-03

Primary	Pins	Input Voltage	Idle Current	Output Power	Winding 
	2-4	1000V /50Hz	≤ 4 mA	6VA	
Secondary	Pins	Idle Voltage	Full Load Voltage	Rated Current	
	5-7	25.2V	24V	250mA	
Safety Feature	Primary to Secondary	≥15kV / 60S			

9. The parameters of this series of products are customized, and the parameters can be designed according to customer requirements.

HV3020 Series High Voltage Input Power Transformer

1. Features:

- ①The fully enclosed printed circuit board is directly welded and installed, easy to use, and beautiful in appearance;
- ②Compact structure, strong, anti-vibration, moisture-proof, flame-retardant, high electric strength;
- ③High input voltage, small size, high power density.

2.Ambient Conditions:

- ①Ambient temperature: -25°C~+70°C
- ②Relative humidity: not more than 90% when the temperature is 40°C
- ③Atmospheric pressure: 860~1060mbar (about 650~800mmHg)

3. Insulation Rating: Class B (130°C)

4. Safety Features:

- ①Insulation resistance: greater than 1000MΩ under normal conditions
- ②Insulation withstand voltages: better than GB/T1 52 90 standard requirements ;
- ③Flame retardancy: in line with UL94-V0;
- ④Electric shock resistance: can withstand pulse 6kV/50μs 10 consecutive shocks;

5. Safety Approval: CE ,

6. Rated Power : 20VA

7. Outline Drawing , Installation Dimension and Pin Position (in the specific product models, unused pins are not drawn out) :

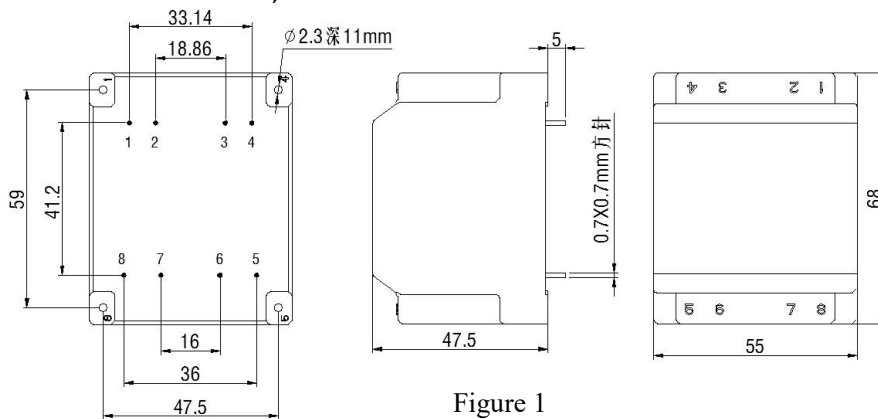
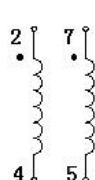


Figure 1

8. Model List:

HV3020-01

Primary	Pins	Input voltage	Idle Current	Output Power	Winding 
	2-4	2400V /50Hz	≤ 2mA	8VA	
Secondary	Pins	Idle Voltage	Full Load Voltage	Rated current	
	5-7	8.5V	8V	1000mA	
Safety Feature	Primary to Secondary	≥15kV / 60S			

9.The parameters of this series of products are customized, and the parameters can be designed according to customer requirements.

HV4030 Series High Voltage Input Power Transformer

1. Features:

- ①The fully enclosed printed circuit board is directly welded and installed, easy to use, and beautiful in appearance;
- ②Compact structure, strong, anti-vibration, moisture-proof, flame-retardant, high electric strength;
- ③High input voltage, small size, high power density.

2.Ambient Conditions:

- ①Ambient temperature: -25°C~+70°C
- ②Relative humidity: not more than 90% when the temperature is 40°C
- ③Atmospheric pressure: 860~1060mbar (about 650~800mmHg)

3. Insulation Rating: Class B (130°C)

4. Safety Features:

- ①Insulation resistance: greater than 1000MΩ under normal conditions
- ②Insulation withstand voltages: better than GB/T1 52 90 standard requirements ;
- ③Flame retardancy: in line with UL94-V0;
- ④Electric shock resistance: can withstand pulse 6kV/50μs 10 consecutive shocks;

5. Safety Approval: CE ,

6. Rated Power : 30VA

7. Outline Drawing , Installation Dimension and Pin Position (in the specific product models, unused pins are not drawn out) :

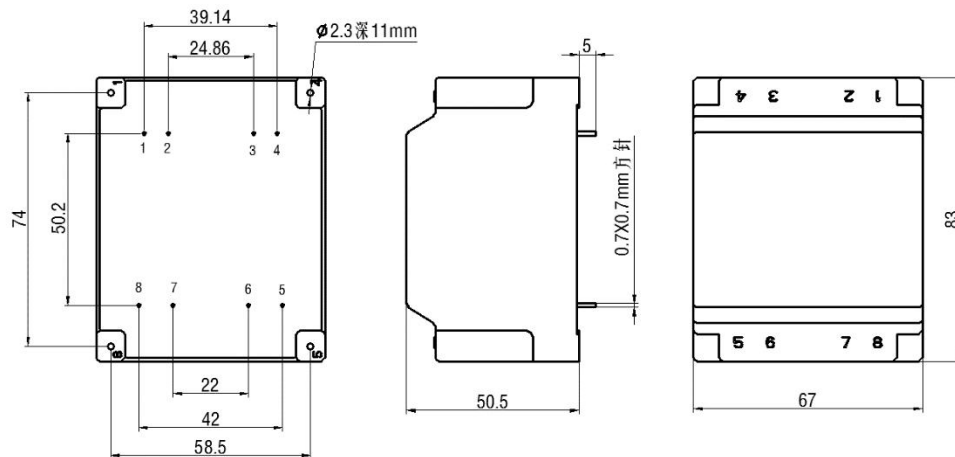
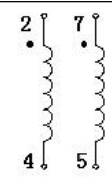


Figure 1

8. Model List:

- 1. HV4030-01

Primary	Pins	Input Voltage	Idle Current	Output Power	Winding
	2-4	4000V/50Hz	≤3mA	30VA	
Secondary	Pins	Idle Voltage	Full Load Voltage	Rated Current	
		5-7	17.5V	15V	
Safety Feature	Primary to Secondary	≥20kV/60S			

9. The parameters of this series of products are customized, and the parameters can be designed according to customer requirements.

HV4040 Series High Voltage Input Power Transformer

1. Features:

- ①The fully enclosed printed circuit board is directly welded and installed, easy to use and beautiful in appearance;
- ②Compact structure, strong, anti-vibration, moisture-proof, flame-retardant, high electric strength;
- ③High Input Voltage, small size and high power density.

3. Ambient Conditions:

- ①Ambient temperature: -25°C~+70°C
- ②Relative humidity: ≤90% at 40°C
- ③ Atmospheric pressure: 860~1060mbar (about 650~800mmHg)

3. Insulation Rating: Class B (130°C)

4. Safety Features:

- ① Insulation resistance:> 1000MΩ in normal condition;
- ② Insulation withstand voltages: better than GB/T12590 standard requirements ;
- ③ Fire retardancy: In conformity with UL94-V0;
- ④ Insulation impact strength: Continuously 10 times impact of 6kV/50μs.

5.Safety Approval: CE

6. Rated Power : 40VA

7. Outline Drawing , Installation Dimension and Pin Position (in specific product models, unused pins are not drawn out) :

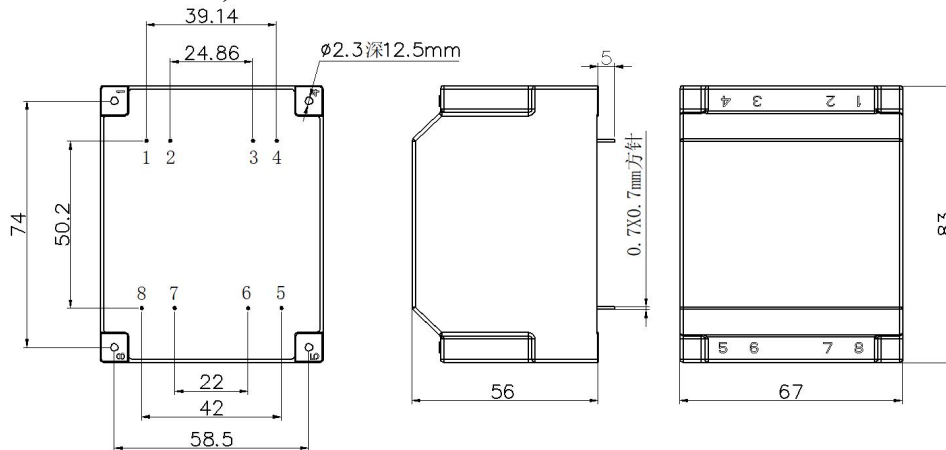
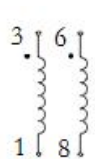


Figure 1

8. Model List:

1. HV4040-01

Primary	Pins	Input Voltage	Idle Current	Output Power	Winding
	1-3	2600V/50Hz	≤5mA	10VA	
Secondary	Pins	Idle Voltage	Full Load Voltage	Rated Current	
		6-8		29V	
Safety Feature	Primary to Secondary	≥15kV/60S			

9. The parameters of this series of products are customized, and the parameters can be designed according to customer requirements.