

Pressure transmitter



WLFR-PT1408

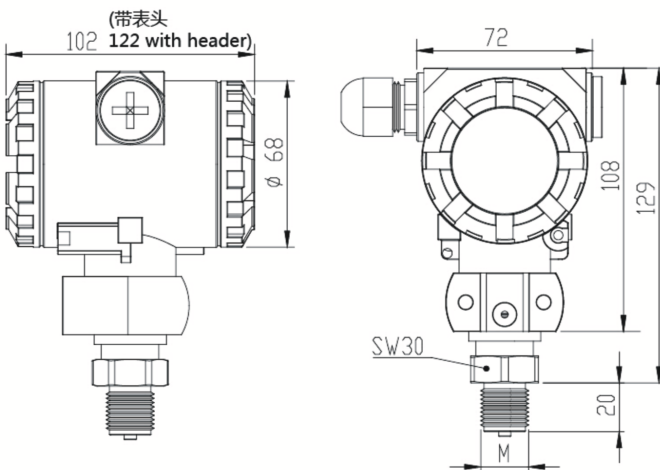
Industrial pressure transmitter

Applications

Applied to water pump control, scientific research instruments, chemical industry, petroleum and other fields.

Features

- 1 Imported core, a variety of chips can be selected according to the application principle.
- 2 Optional output: 4-20mA, RS485, etc.
- 3 Good long-term stability, excellent anti-interference performance, etc.
- 4 Obtained ROHS and CE certification



WLFR-PT1410

Automotive-specific pressure transmitter

Product Introduction

Specially designed for automotive industrial applications.

Features

- 1 Imported core, measuring medium gas, liquid
- 2 Optional output: 4-20mA, RS485, etc.
- 3 Good long-term stability, excellent anti-interference performance, etc.
- 4 Obtained ROHS and CE certification

