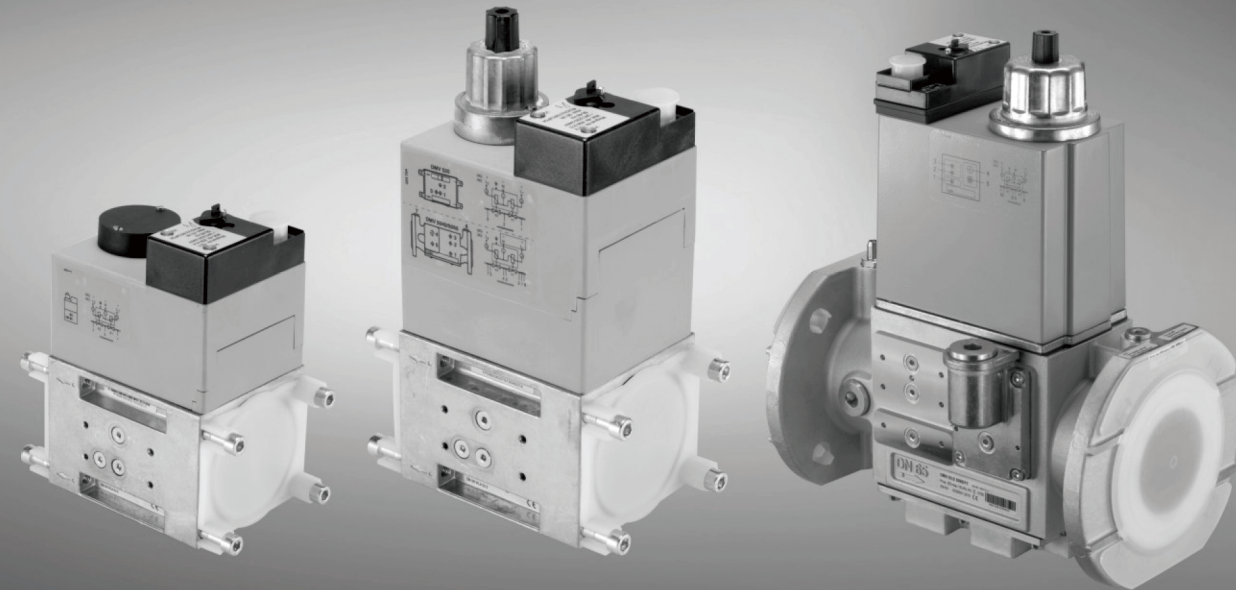


## Gas Double-stage Solenoid Valve DMV-D/11 DMV-DLE/11



### Overview

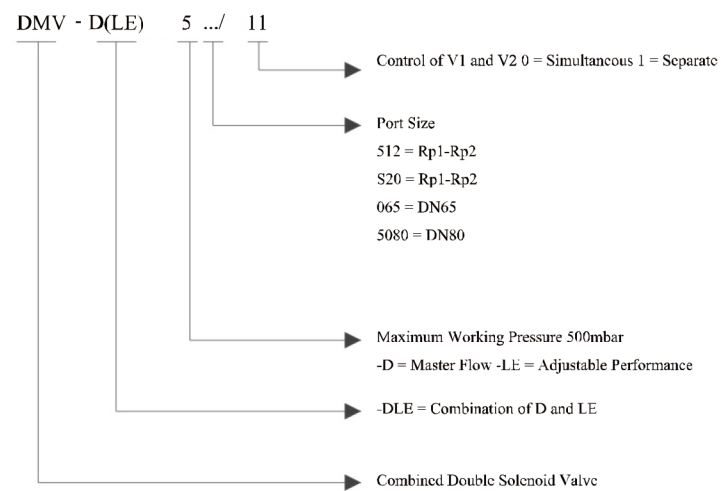
The DMV-D/11 and DMV-DLE/11 series gas double-stage solenoid valves are compactly integrated with two solenoid valves.

- Automatic shut-off valve
- Two A valves housed within a single casing
- Twin-valve disc technology
- High flow rate
- Maximum operating overpressure of 0.5 bar
- Quick closure
- Adjustable main flow rate
- DMV-D/11 features rapid opening, while DMV-DLE/11 offers slow opening
- Simple installation, small size, lightweight

### Applications

Suitable for gas groups 1, 2, and 3, as well as other neutral gaseous media.

### Product Model Description



### Technical Specifications

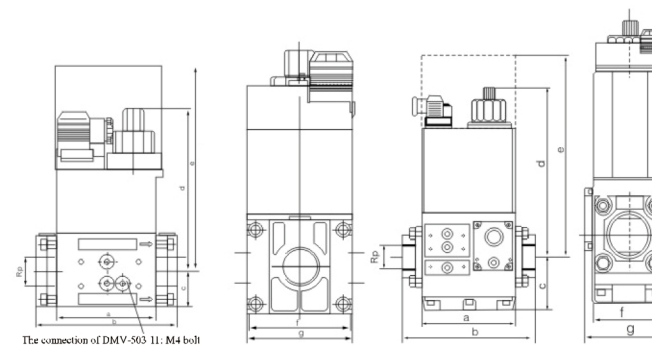
Nominal inner diameter	DMV512, 520	DMV5065	DMV5080
Flange with pipe thread to ISO 7/1 (DIN 2999)	Rp1, Rp1-1/4, Rp1-1/2 Rp2	DN65	DN80
Max working pressure	500mbar(50kPa)		
Closing time	<1 second		
Opening time	DMV-D.../11 <1 second DMV-DLE.../11 at room temp +20°C and approx.20s without quick lift		
Quick lift	Adjustable		
Main flow throttling	Adjustable		
Materials for gas-contacting parts	Exterior: aluminum, steel, non-copper-containing metals		
Ambient temperature	-15°C to +60°C		
Installation position	Magnet vertical to horizontal position		
Sediment collector	Sediment collector installed with filter to protect the entire gas passage. It is recommended to install a gas filter before the gas passage.		
Solenoid valve V1	Electric shut-off valve meeting Class A Level 2 requirements		
Solenoid valve V2	Electric shut-off valve meeting Class A Level 2 requirements		
Testing and ignition gas connection	G1/8 G1/4 G3/4		
Burner and pressure monitoring joint Pbr	Located after valve V2, pressure monitor GW-A2 can be installed on the side connection thread or flange.		
Voltage/frequency	AC50-60Hz, 220-230V, -15% +10% Preferred voltage AC50-60Hz, 110-120V, DC24-28V		
Electrical connection	Plug connection		
Power /Energy consumption	AC230V +20%		

DMV-D(DLE)512 65 DMV-D(DLE)520 90 DMV-D(DLE)5065 110 DMV-D(DLE)5080 110

Starting time	100% ED
Protection level	IP54
Spark interference	Interference level N

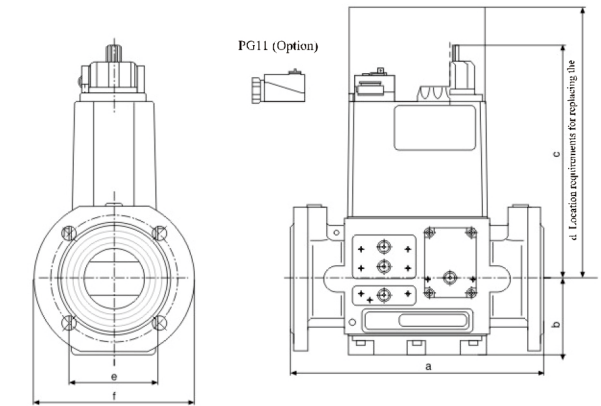
### Product External Dimensions (Unit: mm)

#### 205-220 Installation Dimensions:



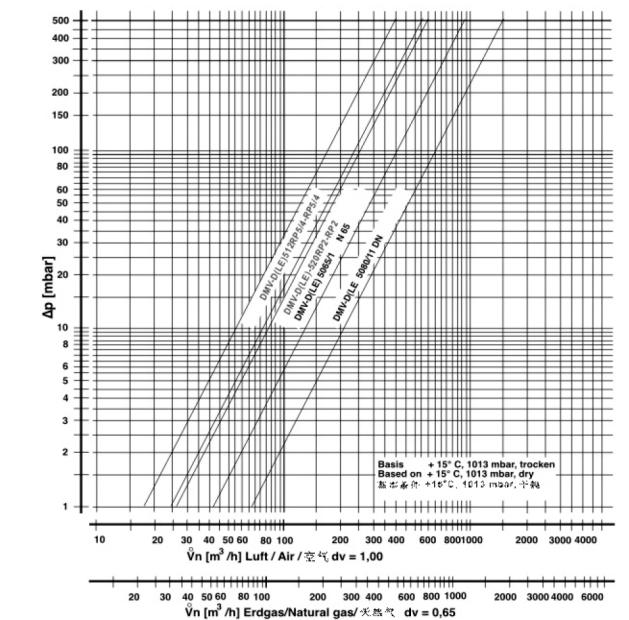
The connection of DMV-503 11: M4 bolt

### Installation Dimensions (mm)



Model	Connection	Installation Dimensions							Weight [kg]
		a	b	c	d	e	f	g	
DMV-D 512/11	Rp1-Rp2	124	174	45	150	254	99	101	4.6
DMV-DLE 512/11	Rp1-Rp2	124	174	45	179	254	99	101	4.7
DMV-D 520/11	Rp1-Rp2	124	201	45	190	333	99	101	5.6
DMV-DLE 520/11	Rp1-Rp2	124	201	45	218	333	99	101	5.7
DMV-D 5065/11	DN65	290	87	251	450	102	185		14.6
DMV-DLE 5065/11	DN65	290	87	269	450	102	185		14.8
DMV-D 5080/11	DN80	310	104	293	510	129	200		23.6
DMV-DLE 5080/11	DN80	310	104	312	510	129	200		24.1

### Pressure and Flow Curve Chart



$$f = \frac{\dot{V}_{\text{Air}}}{\sqrt{\frac{\text{Specific gravity of air}}{\text{Specific gravity of the gas used}}}}$$

Gas Type	kg/m³	dv	f
Natural Gas	0.81	0,65	1,24
Town Gas	0.58	0,47	1,46
LPG	2.08	1,67	0,77
Air	1.24	1,00	1,00