

WS 40 G5-20

Characteristics

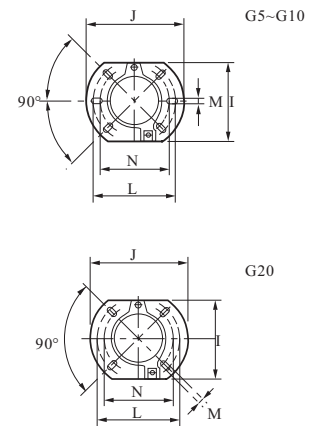
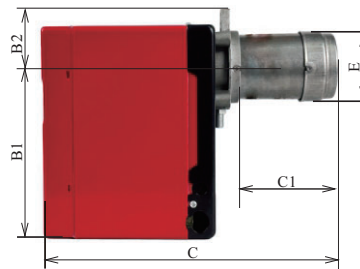
- One-stage oil burner.



Power kW	Model	Article No.	Powe supply	Motor power W	Package size LxPxH(mm)	Weight kg
28~60	WS 40 G5	101 021 001	230V 50Hz	90	383x315x325	12
54~120	WS 40 G10	101 021 002	230V 50Hz	90	423x348x340	13
95~213	WS 40 G20	101 021 003	230V 50Hz	150	483x393x377	16

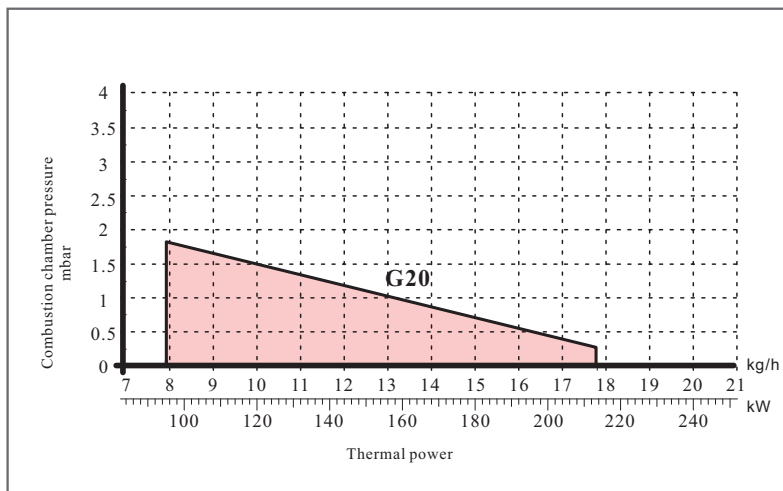
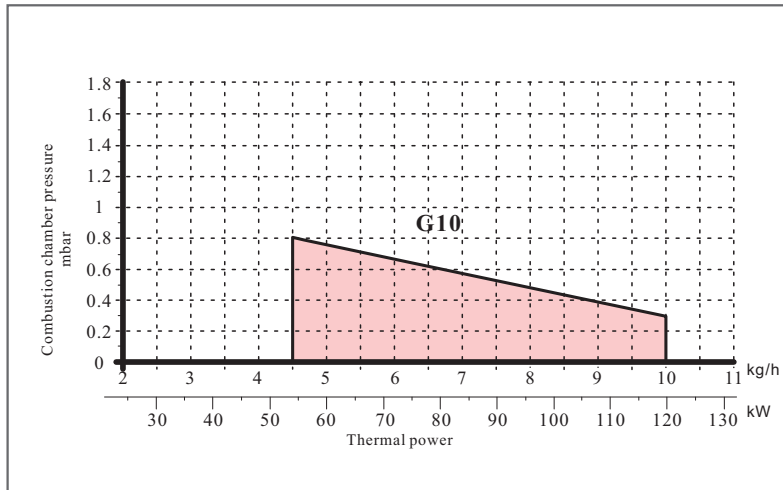
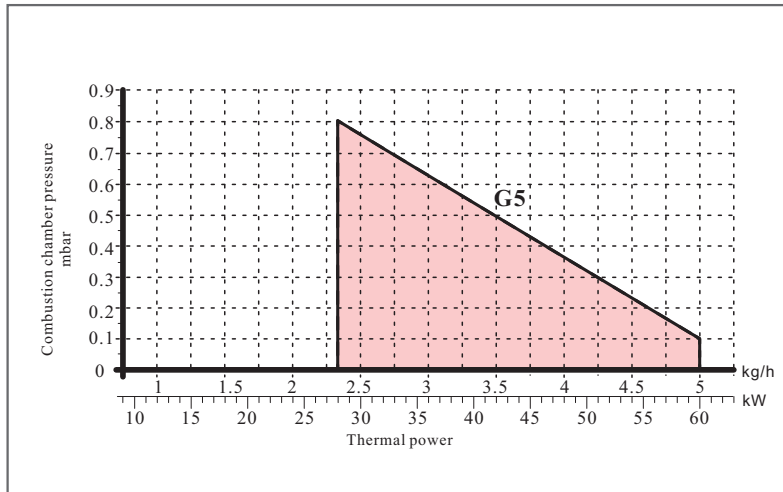
*60 Hz can be cuscomized

Size



Model	A1	A2	B1	B2	C	C1	E	I	J	L	M	N
	mm	mm	mm	mm	mm	mm	Φmm	mm	mm	Φmm	M	Φmm
WS 40 G5	136	136	180	72	243	107	89	147	180	150	72	130
WS 40 G10	153	153	204	82	369	108	89	166	189	170	83	140
WS 40 G20	175	175	230	92	413	118	105	198	213	190	99	160

Firing Rates



Useful firing rates for choosing the burner

Test condition conforming to en676
 Temperature: 20°C
 Pressure: 1013.5
 Mbar altitude: 0 m a.s.l