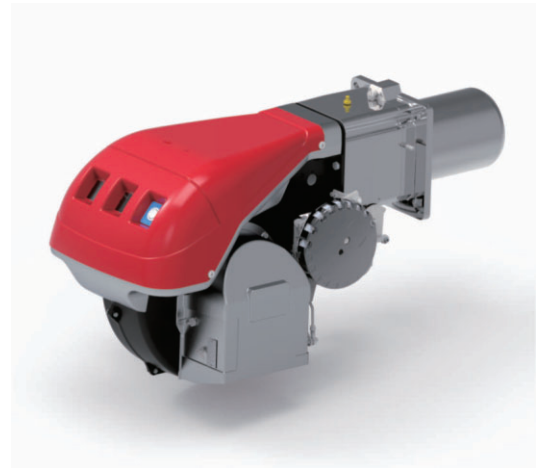


WS 70-250 MZ

Characteristics

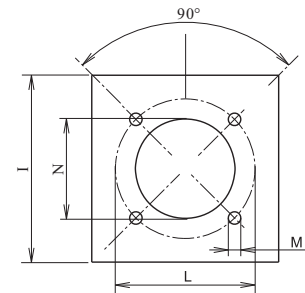
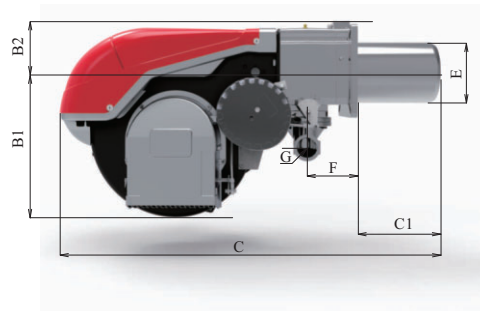
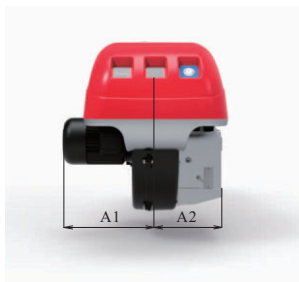
- Two-stage progressive gas burner.



Power kW	Model	Article No.	Powe supply	Motor power kW	Package size LxPxH(mm)	Weight kg
192/465~814	WS 70 MZ	101 007 001	230V 50Hz	1.1	1300x740x682	70
232/698~1163	WS 100 MZ	101 007 002	230V 50Hz	1.5	1300x740x682	73
372/930~1512	WS 130 MZ	101 007 003	230V 50Hz	2.2	1300x740x682	76
300/900~1850	WS 150 MZ	101 007 004	230V 50Hz	3.0	1400x700x650	85
470/1279~2290	WS 190 MZ	101 007 005	230V 50Hz	4.5	1400x1000x650	87
600/1250~2650	WS 250 MZ	101 007 006	230V 50Hz	5.5	1400x1000x650	89

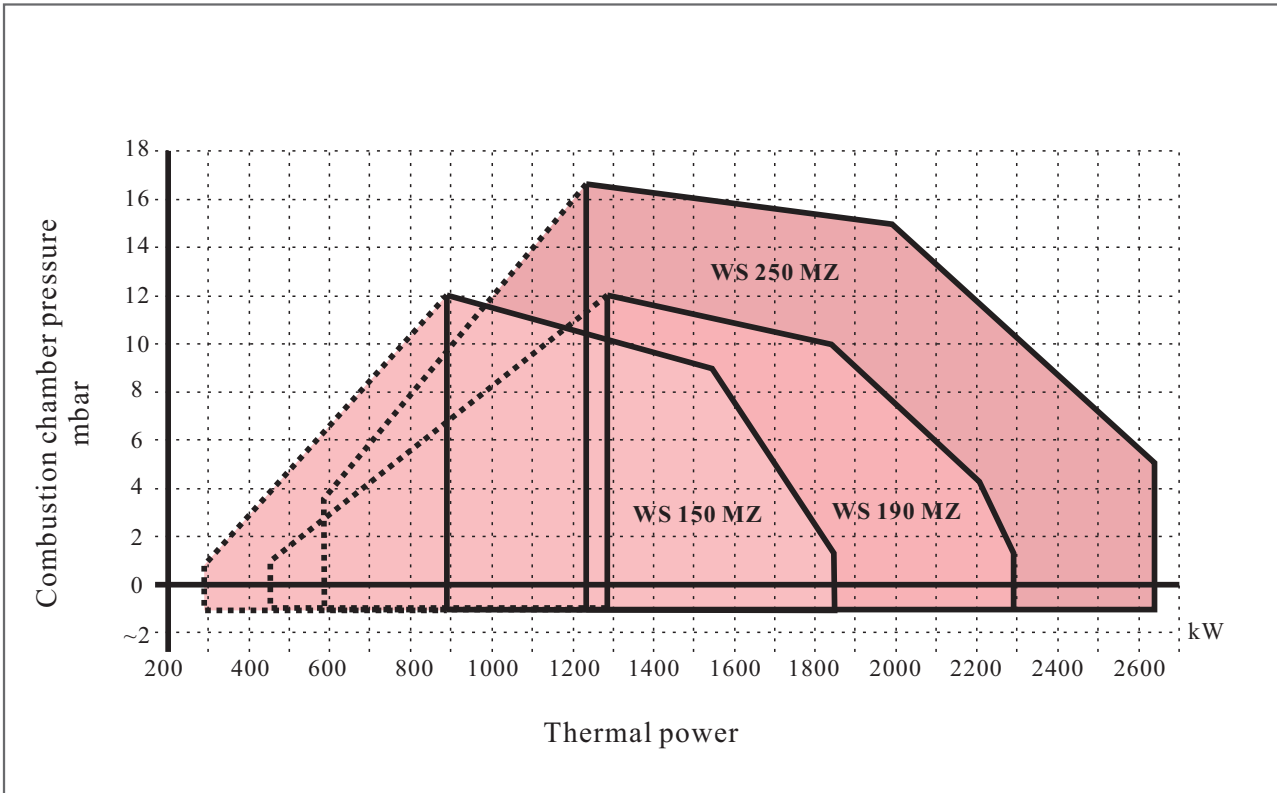
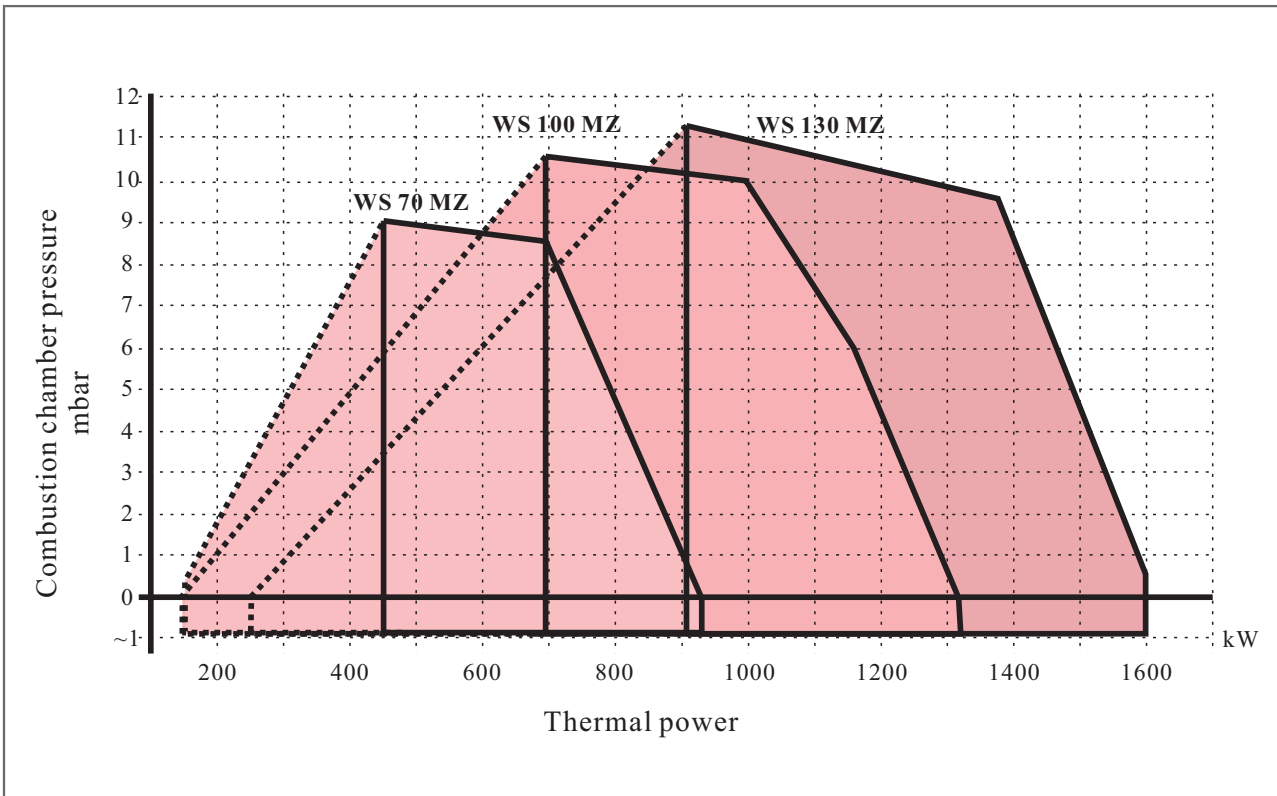
*60 Hz can be cusomized

Size



Model	A1	A2	B1	B2	C	C1	E	F	G	I	L	M	N
	mm	mm	mm	mm	mm	mm	Φmm	mm	mm	mm	Φmm	M	Φmm
WS 70 MZ	297	216	428	154	1095	248	179	136	Rc2"	265	275-325	4*M12	190
WS 100 MZ	297	216	428	154	1095	248	179	136	Rc2"	265	275-325	4*M12	190
WS 130 MZ	350	216	428	154	1123	276	189	136	Rc2"	265	275-325	4*M12	190
WS 150 MZ	370	305	435	165	1127	280	189	136	Rc2"	265	275-325	4*M12	190
WS 190 MZ	402	305	435	165	1250	372	222	150	Rc2"	320	305-368	4*M16	240
WS 250 MZ	413	305	435	165	1250	372	222	150	Rc2"	320	305-368	4*M16	240

Firing Rates



— Useful firing rates for choosing the burner

- - - Modulation range

Test condition conforming to en676

Temperature: 20°C

Pressure: 1013.5

Mbar altitude: 0 m a.s.l