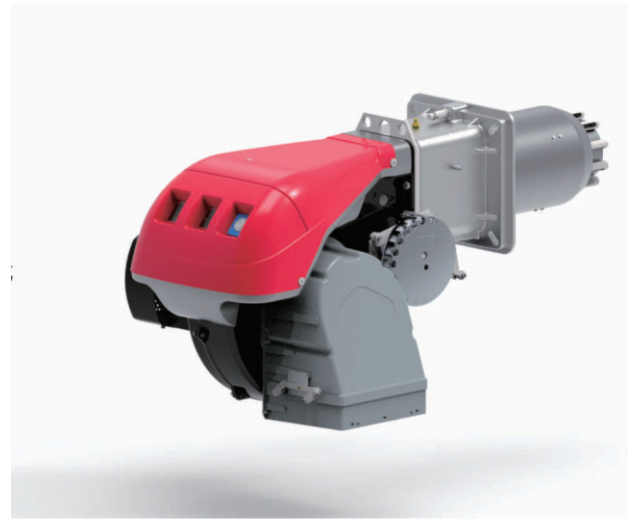


# WS 68-200/M BLU

## Characteristics

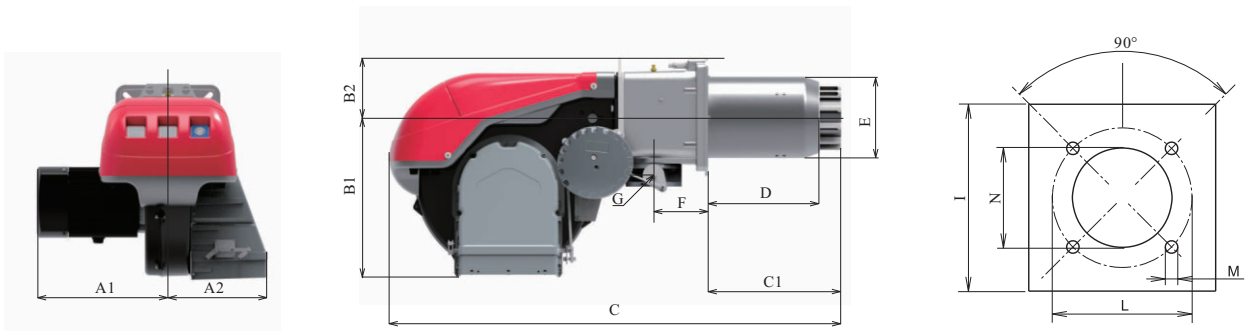
- Gas burner.
- Modulating operation.
- Complies with EU standard EN676 Class 3, NOx emissions <80mg/kWh.



Power kW	Model	Article No.	Powe supply	Motor power kW	Package size LxPxH(mm)	Weight kg
150/350~860	WS 68/M BLU	101 003 001	230V 50Hz	1.5	1400x700x650	70
300/600~1300	WS 120/M BLU	101 003 002	230V 50Hz	2.2	1400x700x650	73
300/930~1860	WS 160/M BLU	101 003 003	230V 50Hz	4.5	1400x1000x650	76
550/1380~2400	WS 200/M BLU	101 003 004	230V 50Hz	5.5	1400x1000x650	85

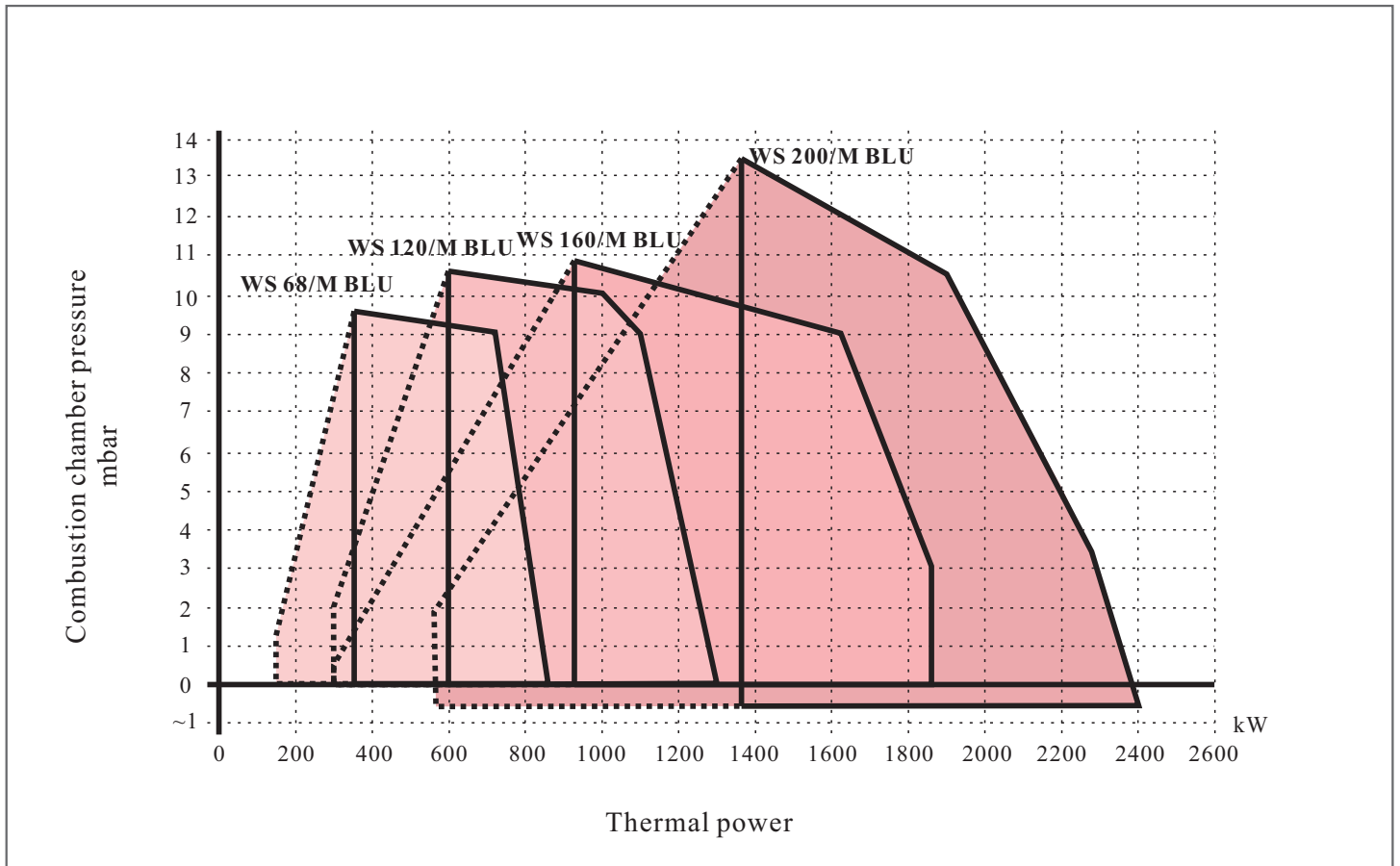
\*60 Hz can be cuscomized

## Size



Model	A1	A2	B1	B2	C	C1	E	F	G	I	L	M	N
	mm	mm	mm	mm	mm	mm	Φmm	mm	mm	mm	Φmm	M	Φmm
WS 68/M BLU	297	216	429	153	1099	253	189	136	Rc2"	265	275~325	4*M12	195
WS 120/M BLU	297	216	429	153	1099	253	189	136	Rc2"	265	275~325	4*M12	195
WS 160/M BLU	402	306	438	159	1240	365	222	150	DN50	320	368	4*M16	230
WS 200/M BLU	402	306	438	159	1240	365	222	150	DN50	320	368	4*M16	230

Firing Rates



Useful firing rates for choosing the burner

Modulation range

Test condition conforming to en676  
 Temperature: 20°C  
 Pressure: 1013.5  
 Mbar altitude: 0 m a.s.l