

Bwbyone®

Bwbyone

is a registered trademark in China

Bwbyone

is a registered trademark in Australia

Top rank LED lighting manufacturer

Brighten world with Bwbyone, enlighting every space beyond boundaries.

Lighting the world since 2014



TEL: +86-757-81992887

WEBSITE: www.bwbyonelightning.com

ADD: No.3, Wangda road, Shishan town, Nanhai district, Foshan, Guangdong, China.

PRODUCT CATALOG

Foshan Byone Electrical Co., Ltd.





Who We Are

Foshan Byone Electric Co., Ltd. was established in February 2014, the self-owned factory is located in Lianxing Wangnan industrial zone, Nanhai District, Foshan City, where covers an area of over 11,000 square meters. Our company was successfully identified as a high-tech enterprise in 2018, the high-tech enterprise recognition is a prestigious national qualification, we obtained the ownership of intellectual property rights in the technology of our main products through independent research, our products fall within the scope of the High-tech Fields supported by the State.

Byone specializes in R&D, design and manufacturing of LED driver power supplies and LED lighting fixtures, produces 10 million LED drivers and 4.5 million indoor & outdoor lighting fixtures annually. Our products are cost-effective, and the stable quality performance ensures Bwbyone as a reliable brand, our indoor lighting products are suitable for smart home and commercial used. And our outdoor lighting fixtures can be used for professional engineering, municipal lighting and other fields. Our power supplies and LED lighting products have been well-known and hot selling in domestic and all over the world.

Our company has many advanced production equipment, can be used for mass production, include Chip Surface Mounter, Convection Reflow Oven, Solder-Paste Printer, Automated Optical Inspection System(AOI Equipment), X-ray Inspection System, Automated Conveyor System, Pre-Reflow AOI, Static Elimination Equipment, Wave Solder Machines, LED Aging Line, Automatic Glue Potting Machine, Automatic Production Line, Laser Engraving and Cutting Machine. Our company also has a professional Optical Laboratory, an EMC Testing Lab, Spectrometer, Integrating Sphere spectroradiometer, High/Low-Temperature Test Chamber, Constant Temperature & Humidity Chamber, Salt Spray Testing Chamber, Transport Simulation Vibration Tester, etc.

Always Ensure and Improve Customer Satisfaction is Byone's priority.

What We Produce

We are committed to providing customers with innovative, energy-efficient, and environmentally friendly lighting solutions and have become a popular lighting brand in both domestic and international markets.

Byone is a professional manufacturer specializing in

- LED Bluetooth/wifi smart lights,
- LED downlights,
- LED ceiling lights,
- LED panel lights,
- LED cabinet lights,
- LED linear lights,
- LED bulbs,
- LED magnetic track light,
- LED track light,
- LED vanity light,
- LED tube,
- Etc.



15+

Technicians and engineers



130+

Employees



22+

Invention patents /Design patents



10+

ETL/UL/CE certifications

Bybyone®

Byone Milestones

2014
Established in Guangdong China, focusing on power supply manufacturing.

2017
Started the R&D, production, and sales of indoor & outdoor LED lighting fixtures. Expanded into the LED lighting market

2017
Awarded the title of Executive VP for Anhui Chamber of Commerce Guangdong branch

2016
Completed the construction of the self-owned factory, covers an area of over 11,000 square meters

2018
Successfully identified as a **high-tech enterprise**, our technological innovation and R&D capabilities have been recognized by the authority depart.

2020
Upgraded laboratory equipment and facilities, expanded Byone's product ranges and services

2021
Successfully identified as a **high-tech enterprise** for the second time. Successfully obtained two utility model patents and one design patents again.

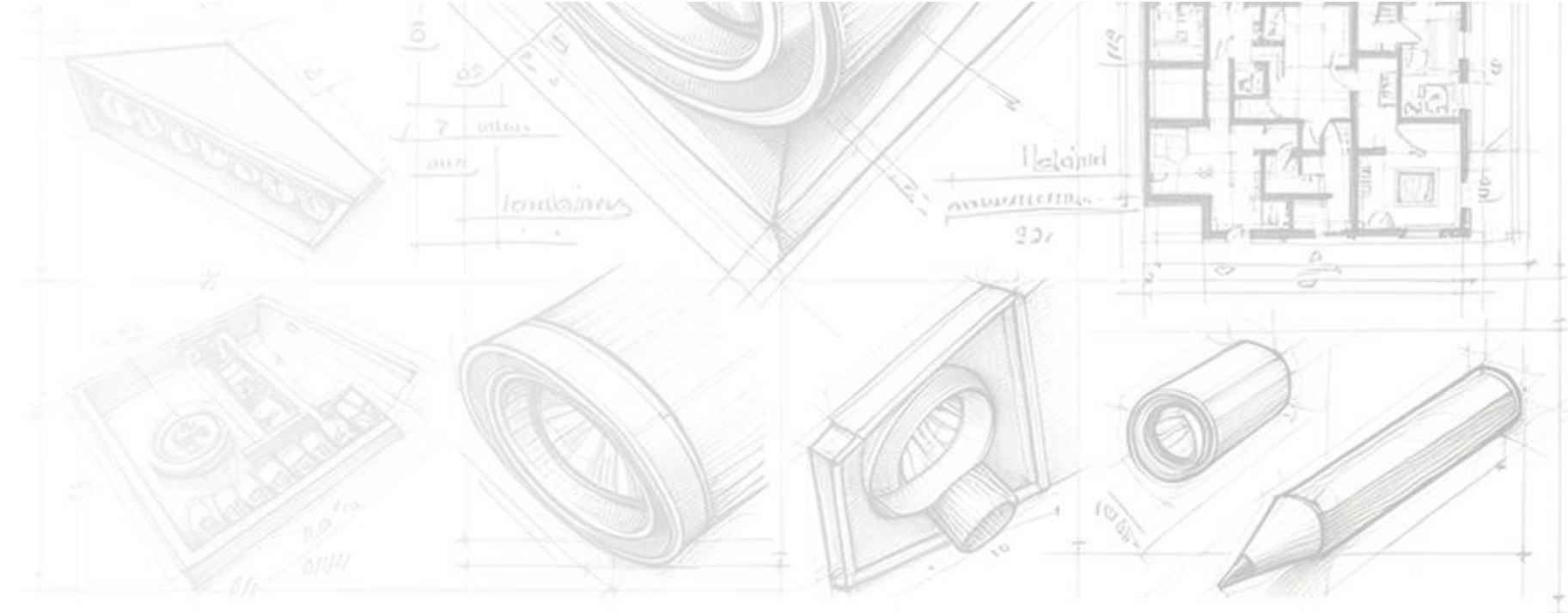
2022
Launched a series of new smart lighting products, to meet new needs for smart home solutions..

Byone has built strong long-standing OEM Partnerships with domestic and overseas customers.

Byone®

In order to meet the rapid and sustainable development needs of the LED lighting industry, Byone invest in new production equipment and testing equipment continuously.

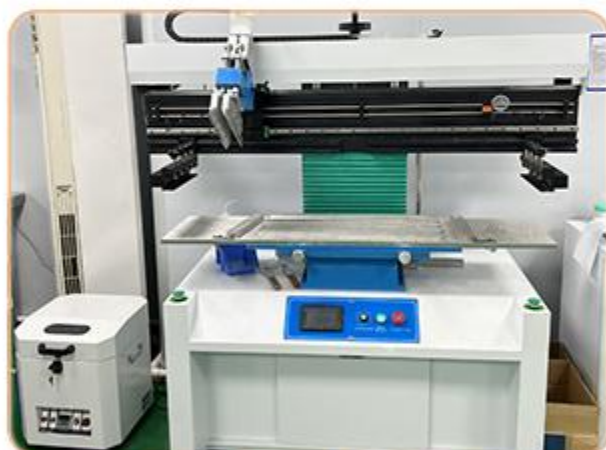
Production Machinery



YAMAHA High-speed Surface Mounter



Automatic Solder Paste Printer with 3D Solder Paste Inspection System



Solder Paste Mixer and Semi-automatic Solder Paste Printer



Ultra Long Semi-auto Solder Paste Printer



Reflow Oven with Fully Auto PCBA Unloader



Lead-free Reflow Oven



Fully Automatic PCB Loader and Automatic Solder Paste Printer



Wave Soldering Machine



Wave Soldering Machine US450II



LED Driver Intelligent Aging Test Rack Control Cabinet



Automatic Lead Cutting Machine



LED Lamp Aging Conveyor Line

Testing Equipment



Integrating Sphere Photometer



Salt Mist Testing Equipment



Temperature and Humidity Test Chamber



Electric Heating Drying Oven and Constant High-Temperature Oven



Reliability Testing Rack



Switching Cycle Test Bench

Manufacturing Process



Bwbyone®

Obtained the first Invention patent since 2015



A Certified Advanced Manufacturers for over decades

Byone is one of the leading producer in specialized LED drivers and LED lighting fixtures for the North America market.



More certifications



Bwbyone®

Make your spaces an area of relaxation and comfort

Features

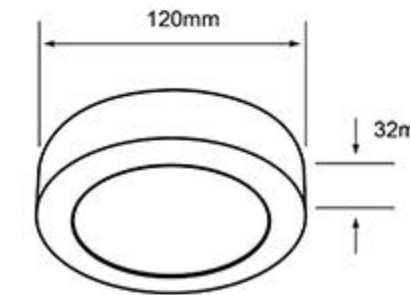
- Surface mounted on interior ceilings. Connection and mounting accessories included.
- Does not generate heat. Does not emit UV rays.
- Polycarbonate diffuser to provide better light distribution with 100° opening angle.



BW-PC6RW



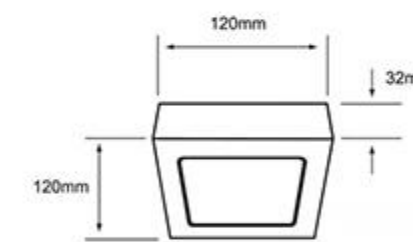
BW-PC6RB



BW-PC6SW



BW-PC6SB



Electrical specs: 220 - 240V~ 50 Hz/60 Hz
 Power: 6W
 Luminous: 350 lm
 Color temperature: 3000K/4000K/6000K
 CRI: Ra=80
 Power factor: 0.5
 Spreading angle: 100°
 Dimensions: 32 x Φ120 mm
 Weight: 0.165kgs
 Housing material: Aluminum or Plastic
 Diffuser plate material: Polycarbonate
 Finish color: White/Black
 Working temperature: 0 ~ 40° C

Electrical specs: 220 - 240V~ 50 Hz/60 Hz
 Power: 6W
 Luminous: 320 lm
 Color temperature: 3000K/4000K/6000K
 CRI: Ra=80
 Power factor: 0.5
 Spreading angle: 100°
 Dimensions: 32 x 120 x 120 mm
 Weight: 0.2kgs
 Housing material: Aluminum or Plastic
 Diffuser plate material: Polycarbonate
 Finish color: White/Black
 Working temperature: 0 ~ 40° C

IP 20 Ratings

PF=0.5

CRI RA=80

LED Energy Savings

Integrated LED 6 W

Bwbyone®

Make your spaces an area of relaxation and comfort

Features

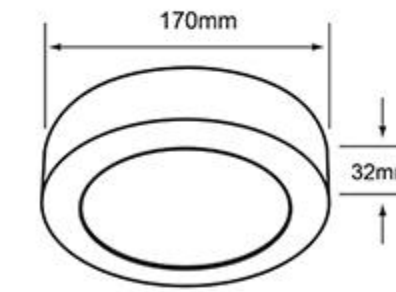
- **Surface mounted on interior ceilings.**
Connection and mounting accessories included.
- **Does not generate heat. Does not emit UV rays.**
- **Polycarbonate diffuser to provide better light distribution with 100° opening angle.**



BW-PC12RW



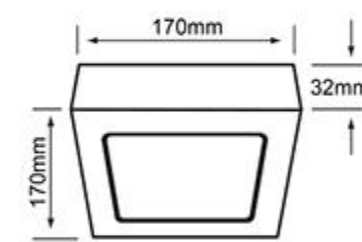
BW-PC12RB



BW-PC12SW



BW-PC12SB



Electrical specs: 220 - 240V~ 50 Hz/60 Hz

Power: 12W

Luminous: 800 lm

Color temperature: 3000K/4000K/6000K

CRI: Ra=80

Power factor: 0.5

Spreading angle: 100°

Dimensions: 32 x Φ170 mm

Weight: 0.266kgs

Housing material: Aluminum or Plastic

Diffuser plate material: Polycarbonate

Finish color: White/Black

Working temperature: 0 ~ 40° C

Electrical specs: 220 - 240V~ 50 Hz/60 Hz

Power: 12W

Luminous: 800 lm

Color temperature: 3000K/4000K/6000K

CRI: Ra=80

Power factor: 0.5

Spreading angle: 100°

Dimensions: 32 x 170 x 170 mm

Weight: 0.38kgs

Housing material: Aluminum or Plastic

Diffuser plate material: Polycarbonate

Finish color: White/Black

Working temperature: 0 ~ 40° C

IP 20 Ratings

PF=0.5

CRI RA=80

LED Energy Savings

Integrated LED 12 W

www.bwbyonelight.com

Note: Pictures are not to scale. Specifications are subject to change without notice for further improvement.

Bwbyone®

Make your spaces an area of relaxation and comfort



Features

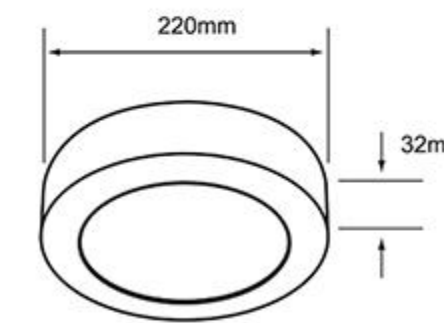
- Surface mounted on interior ceilings. Connection and mounting accessories included.
- Does not generate heat. Does not emit UV rays.
- Polycarbonate diffuser to provide better light distribution with 100° opening angle.



BW-PC18RW



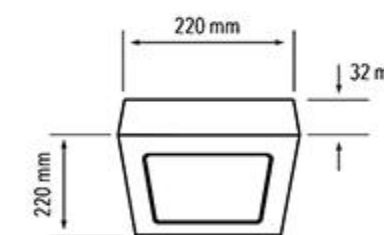
BW-PC18RB



BW-PC18SW



BW-PC18SB



Electrical specs: 220 - 240V ~ 50 Hz / 60 Hz

Power: 18W

Luminous: 1300 lm

Color temperature: 3000K / 4000K / 6000K

CRI: Ra=80

Power factor: 0.5

Spreading angle: 100°

Dimensions: 32 x Φ220 mm

Weight: 0.393kgs

Housing material: Aluminum or Plastic

Diffuser plate material: Polycarbonate

Finish color: White/Black

Working temperature: 0 ~ 40° C

Electrical specs: 220 - 240V ~ 50 Hz / 60 Hz

Power: 18W

Luminous: 1300 lm

Color temperature: 3000K / 4000K / 6000K

CRI: Ra=80

Power factor: 0.5

Spreading angle: 100°

Dimensions: 32 x 220 x 220 mm

Weight: 0.485kgs

Housing material: Aluminum or Plastic

Diffuser plate material: Polycarbonate

Finish color: White/Black

Working temperature: 0 ~ 40° C

IP 20
Ratings

PF=0.5

CRI
RA=80

LED
Energy
Savings

Integrated LED 18 W

www.bwbyonelight.com

Note: Pictures are not to scale. Specifications are subject to change without notice for further improvement.

Bwbyone[®]

Make your spaces an area of relaxation and comfort



Features

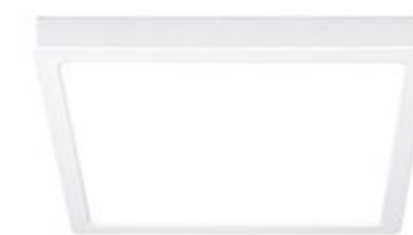
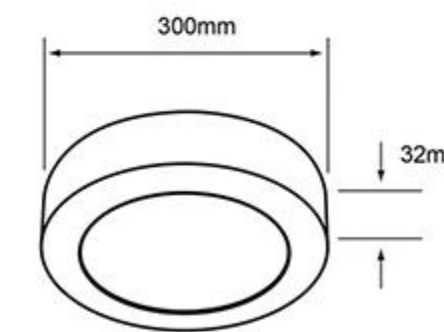
- **Surface mounted on interior ceilings.**
- **Connection and mounting accessories included.**
- **Does not generate heat. Does not emit UV rays.**
- **Polycarbonate diffuser to provide better light distribution with 100° opening angle.**



BW-PC24RW



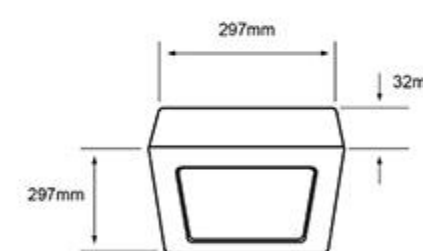
BW-PC24RB



BW-PC24SW



BW-PC24SB



Electrical specs: 220 - 240V~ 50 Hz/60 Hz
 Power: 24W
 Luminous: 1600 lm
 Color temperature: 3000K/4000K/6000K
 CRI: Ra=80
 Power factor: 0.5
 Spreading angle: 100°
 Dimensions: 32 x Φ300 mm
 Weight: 0.5kgs
 Housing material: Aluminum or Plastic
 Diffuser plate material: Polycarbonate
 Finish color: White/Black
 Working temperature: -20 ~ 40° C

Electrical specs: 220 - 240V~ 50 Hz/60 Hz
 Power: 24W
 Luminous: 1600 lm
 Color temperature: 3000K/4000K/6000K
 CRI: Ra=80
 Power factor: 0.5
 Spreading angle: 100°
 Dimensions: 32 x 297 x 297 mm
 Weight: 0.5kgs
 Housing material: Aluminum or Plastic
 Diffuser plate material: Polycarbonate
 Finish color: White/Black
 Working temperature: -20 ~ 40° C

IP 20 Ratings

PF=0.5

CRI RA=80

LED Energy Savings

Integrated LED 24 W

www.bwbyonelight.com

Note: Pictures are not to scale. Specifications are subject to change without notice for further improvement.

IP 65
IK 05

PF=0.5

CRI
RA=80

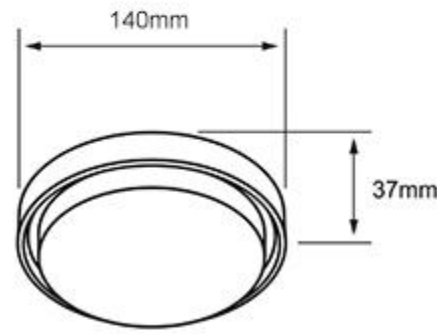
LED
Energy
Savings



BW-IR15RG



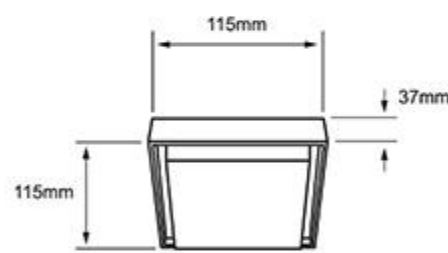
BW-IR15RB



BW-IR15SG



BW-IR15SB



Electrical specs:100 - 240V~ 50 Hz/60 Hz

Power:15W

Luminous:760 lm

Color temperature:3000K/4000K/6500K

CRI:Ra=80

Power factor:0.5

Spreading angle:120°

Dimensions:32 x Φ140 mm

Weight:0.25kgs

Housing material:Iron steel

Diffuser plate material:Polycarbonate

Finish color: White/Gray/Black

Working temperature:0 ~ 40° C

Electrical specs:100 - 240V~ 50 Hz/60 Hz

Power:15W

Luminous:760 lm

Color temperature:3000K/4000K/6500K

CRI:Ra=80

Power factor:0.5

Spreading angle:120°

Dimensions:37 x 115 x 115 mm

Weight:0.22kgs

Housing material:Iron steel

Diffuser plate material:Polycarbonate

Finish color: White/Gray/Black

Working temperature:0 ~ 40° C

Integrated LED 15 W

17 www.bwbyonelight.com

Note: Pictures are not to scale. Specifications are subject to change without notice for further improvement.

Bwbyone®

Give your spaces a fresh, spacious, dynamic feel

Features

- Surface mount on indoor or outdoor ceilings. Connection and mounting accessories included.
- Does not generate heat. Does not emit UV rays.
- Polycarbonate diffuser provides a better light distribution with 120° opening angle.
- Up to 90% savings in electricity consumption.
- IK05 protection: resistant to impact from 200g objects thrown from a distance of 35cm.

IP 65
IK 05

PF=0.5

CRI
RA=80

LED
Energy
Savings

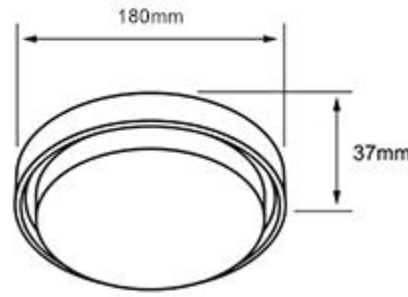


BW-IR24RG

Electrical specs:100 - 240V~ 50 Hz/60 Hz
Power:24W
Luminous:1300 lm
Color temperature:3000K/4000K/6500K
CRI:Ra=80
Power factor:0.5
Spreading angle:120°
Dimensions:37 x Φ 180 mm
Weight:0.37kgs
Housing material:Iron steel
Diffuser plate material:Polycarbonate
Finish color: White/Gray/Black
Working temperature:0 ~ 40° C



BW-IR24RB

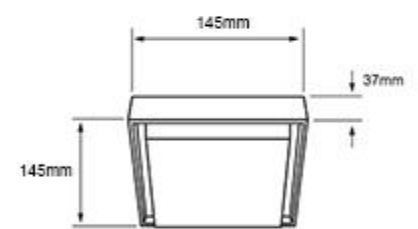


BW-IR24SG

Electrical specs:100 - 240V~ 50 Hz/60 Hz
Power:24W
Luminous:1300 lm
Color temperature:3000K/4000K/6500K
CRI:Ra=80
Power factor:0.5
Spreading angle:120°
Dimensions:37 x 145 x 145 mm
Weight:0.35kgs
Housing material:Iron steel
Diffuser plate material:Polycarbonate
Finish color: White/Gray/Black
Working temperature:0 ~ 40° C



BW-IR24SB



Integrated LED 24 W

Bwbyone®

Give your spaces a fresh, spacious, dynamic feel

Features

- Surface mount on indoor or outdoor ceilings. Connection and mounting accessories included.
- Does not generate heat. Does not emit UV rays.
- Polycarbonate diffuser provides a better light distribution with 120° opening angle.
- Up to 90% savings in electricity consumption.
- IK05 protection: resistant to impact from 200g objects thrown from a distance of 35cm.