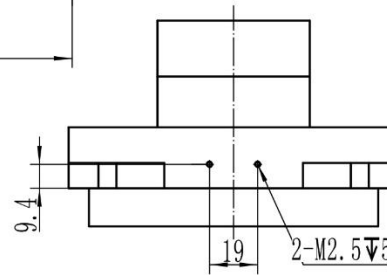
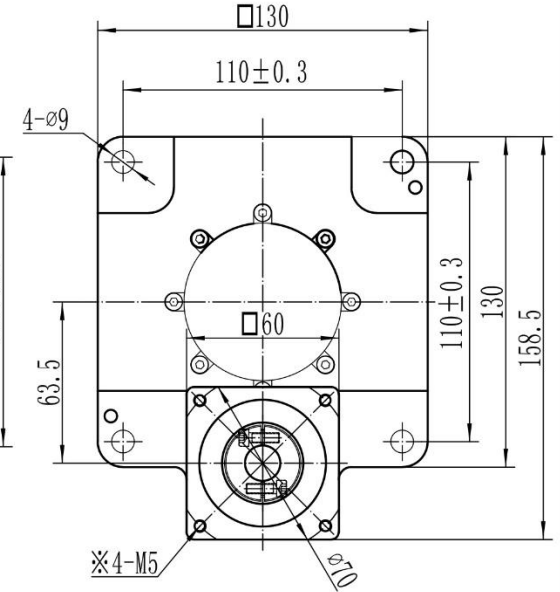
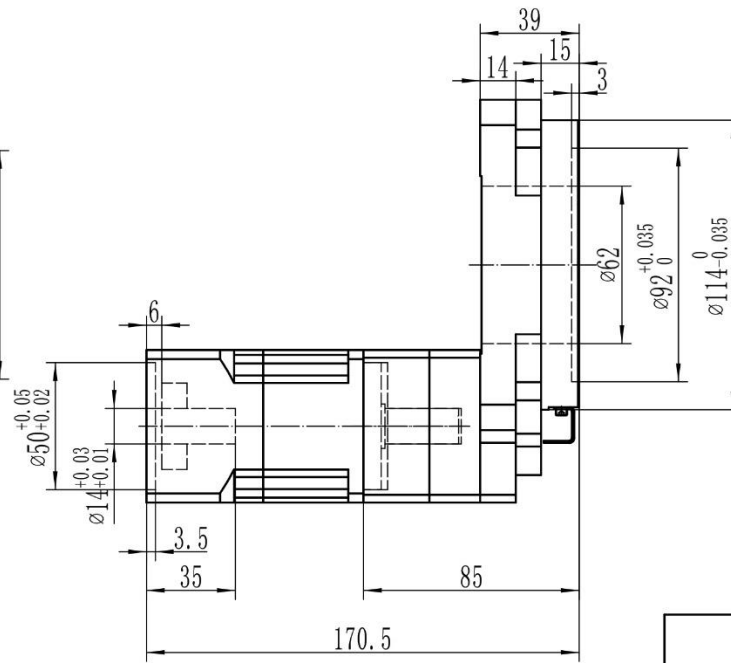
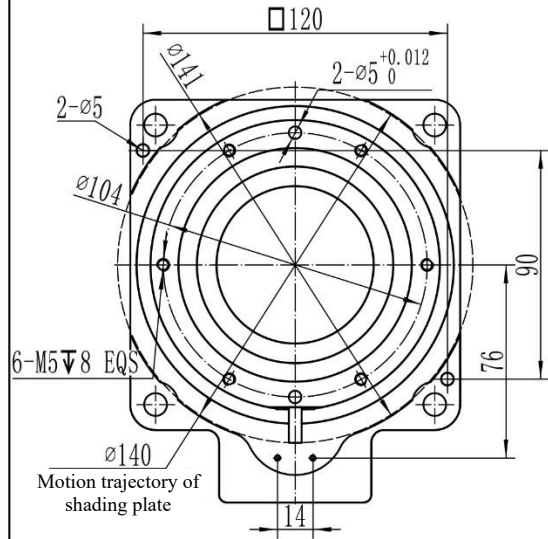


Version

A



- Ratio: 30 10+3
- Rated Output Torque: 32Nm
- Emergency stop Torque: 32Nm×2
- Rated Output Speed: 200RPM
- Maximum Bending Moment: 50Nm
- Allowable Axle Force: 2000N
- Backlash:  $P1 \leq 2 \text{ arcmin}$
- Reset positioning precision:  $\pm 15 \text{ arcmin}$
- Noise:  $\leq 65 \text{ dB}$
- Service Life :20000h
- Protection class :IP64
- Operating temperature:-10~90°C
- Standard lubrication: Grease

Please sign (seal) and send back

Guangdong Kaifull Electronics  
Technology Co., Ltd.

		Hollow rotating platform			YKW130K-30V2
		Angle of view			
		Stage mark	Weight	Scale	
Material name	Processing method			1:1.8	10280226
Non-standard information bar		Page of			

\*Continuous service life: 10000h