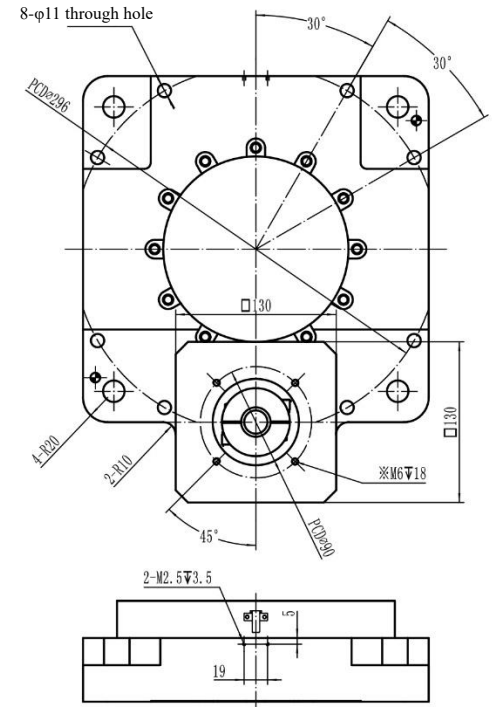
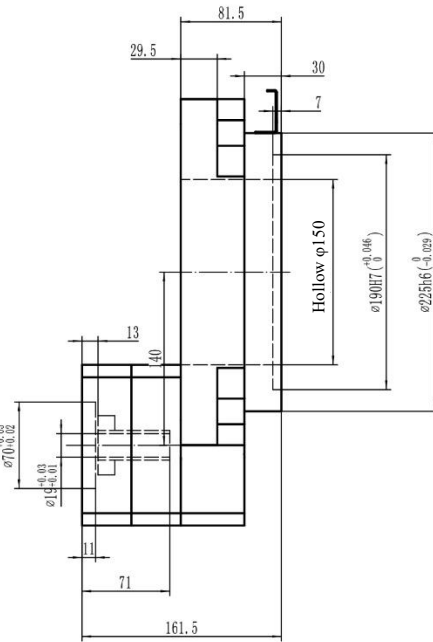
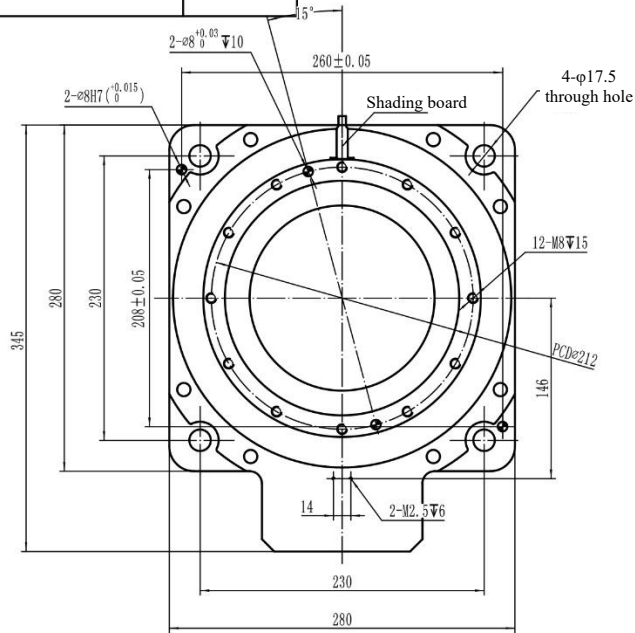
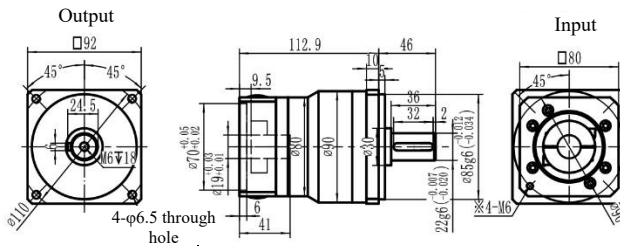


Version

A



Ratio : 10/3
 Rated output torque : 180Nm
 Emergency stop torque : 180Nm×2
 Rated input speed : 200rpm
 Allowable axle force : 7000Nm
 Backlash : P2≤3arcmin
 Reset positioning precision : ±15arcsec
 Noise : ≤67dB
 Service life : 20000h
 Protection class : IP40
 Operating temperature : -10-90°C
 Standard lubrication : Grease



Jiang Lehua
 November
 11, 2021

Please sign (seal) and send back

	Rework	YKW280			Kaifull Technology
	Rework				
Line bottom base () ()	Additional work	Angle of view			YKW280K-10-V2
		Stage mark	Weight	Scale	
Material name	Processing method	1	16kg	1:3.7	
Non-standard information bar		Page of			

*Continuous service life: 10000h