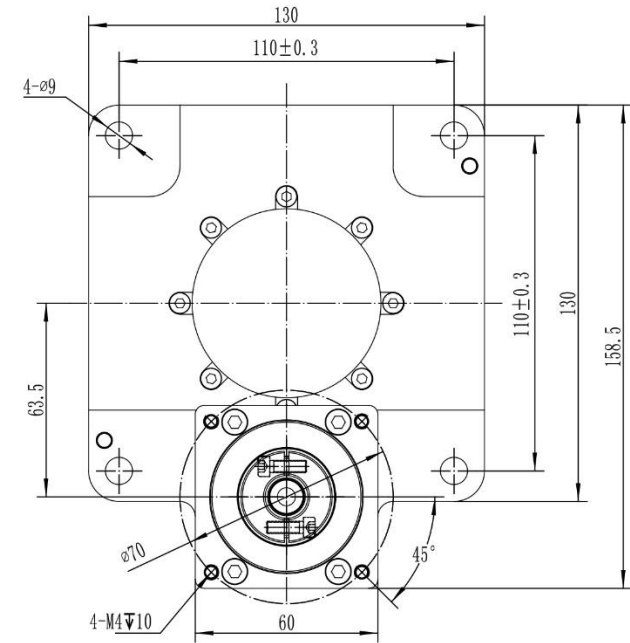
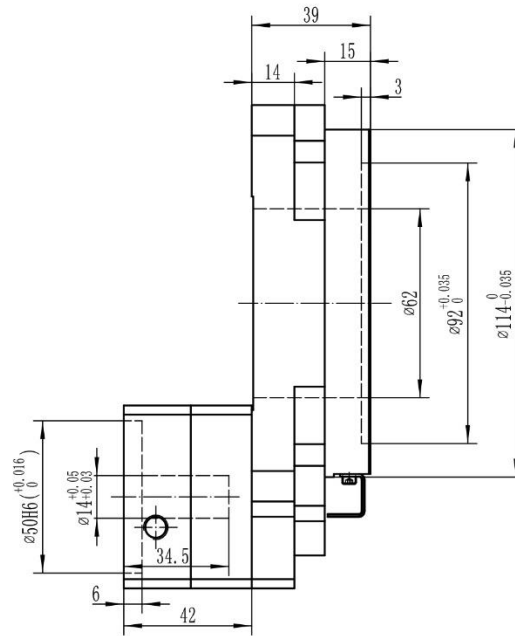
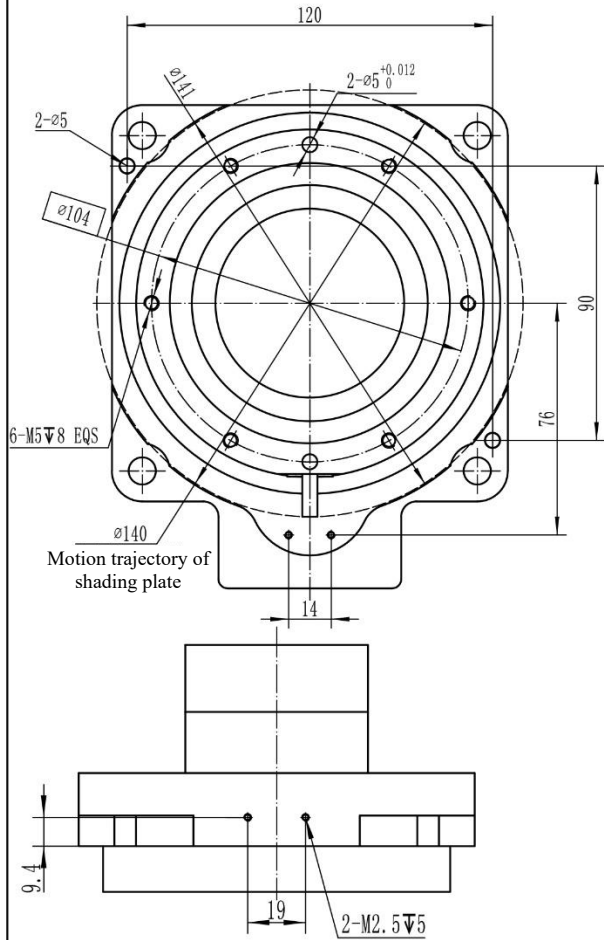


Version

A



Reduction ratio: 18  
 Permissible output torque: 20N.m  
 Permissible output speed:  
 200RPM  
 Permissible thrust load: 250kgf  
 Repetitive positioning accuracy:  
 ±15arc.sec  
 Platform end face runout: 0.01m

Please sign (seal) and send back

Guangdong Kaifull Electronics  
 Technology Co., Ltd.

YKW130K-18V1

		Hollow rotating platform			
		Angle of view			
		Stage mark	Weight	Scale	
Material name	Processing method			1:1.5	10280017
Non-standard information bar		Page of			

\*Continuous service life: 10000h