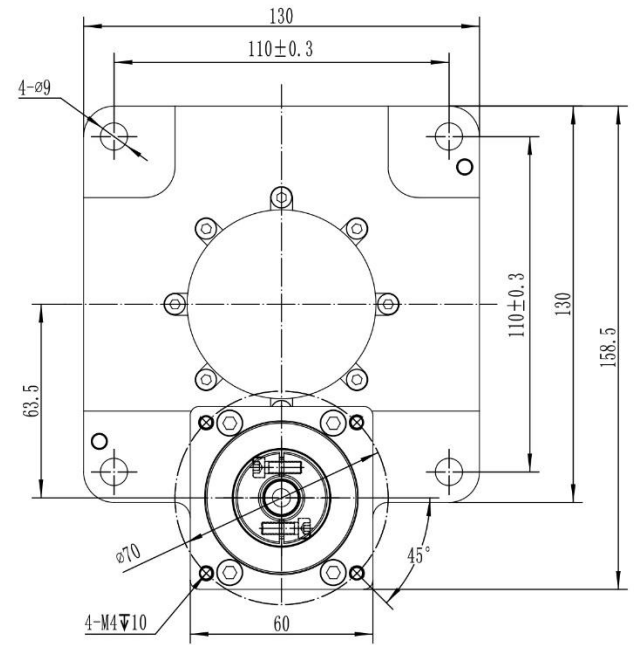
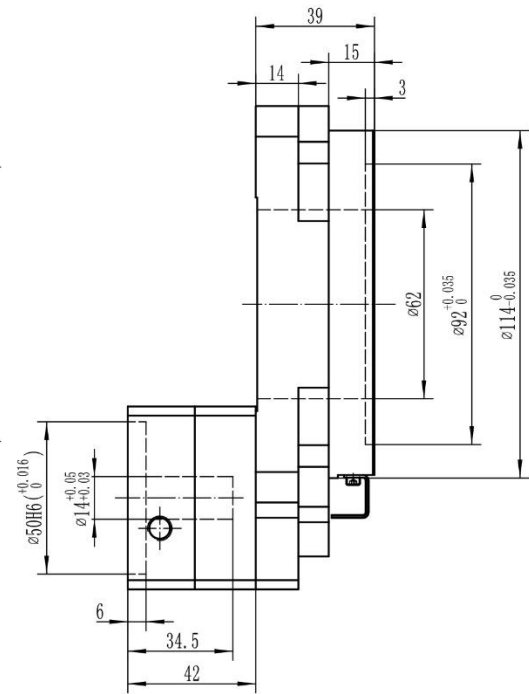
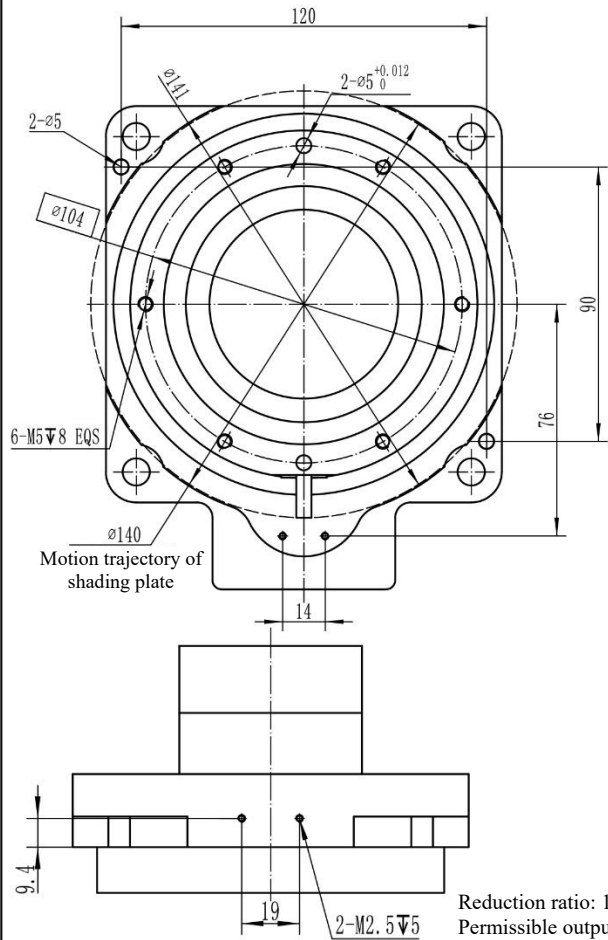


Version A



Reduction ratio: 10  
 Permissible output torque: 20N.m  
 Permissible output speed: 200RPM  
 Permissible thrust load: 250kgf  
 Repetitive positioning accuracy: ±15arc.sec  
 Platform end face runout: 0.01m

Please sign (seal) and send back  
 Guangdong Kaifull Electronics Technology Co., Ltd.

		Hollow rotating platform			YKW130K-10V1
		Angle of view			
		Stage mark	Weight	Scale	10280014
Material name	Processing method			1:1.5	
Non-standard information bar		Page of			

\*Continuous service life: 10000h