

YAOXING ALUMINUM

Aluminum Building & Construction Products

- Aluminum Wall Cladding & Ceiling Systems

Material Specification Drawing





COMPANY INTRODUCTION

Professional Production and Manufacturing Base

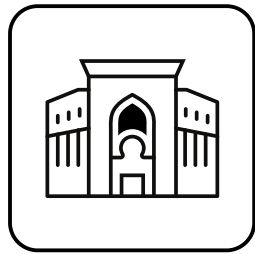
About yaoxing aluminum

Founded in 1993, yaoxing aluminum boasts over 30 years of specialized expertise in manufacturing high-quality aluminum profiles, with a focused commitment to aluminum wall panels and ceiling systems. As a trusted partner in the architectural decoration industry, we excel in both oem and odm services, delivering comprehensive one-stop solutions—from custom profile development to full-system integration—tailored to meet the unique needs of global clients.

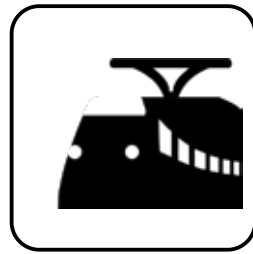
Our production base spans 40,000 square meters, equipped with advanced manufacturing facilities: 6 extrusion lines, 1 anodizing line, 1 modern powder coating line, 2 wood grain transfer lines, and 1 sand-blasting line. Complemented by supporting workshops for cnc precision processing and door/window assembly, our production capacity exceeds 1,500 tons per month, ensuring efficient delivery of premium products.

Specializing in aluminum wall panels and ceiling systems (including rectangular tube, circular tube, bullet-shape, and u-shape ceilings), our products combine durability, versatility, and aesthetic appeal. Crafted from high-grade aluminum, they offer exceptional thermal insulation, corrosion resistance, and easy maintenance—ideal for commercial spaces (offices, malls, hotels), public buildings, and residential interiors.

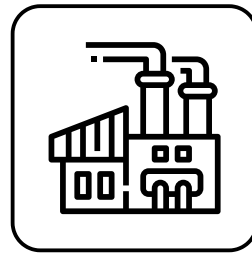
Whether you require a single custom aluminum profile or a complete wall-ceiling system, we adhere to stringent quality control standards at every stage of production, striving for perfection in every detail. We are dedicated to enhancing the visual charm of indoor and outdoor spaces through innovative aluminum solutions, blending functional performance with contemporary design.



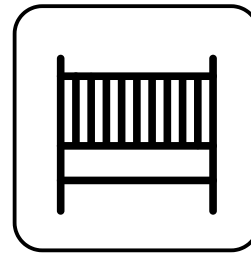
Engineering Construction



Station & Subway



Factory



Public Facilities



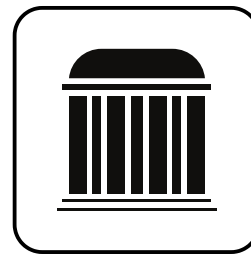
Residential Apartment



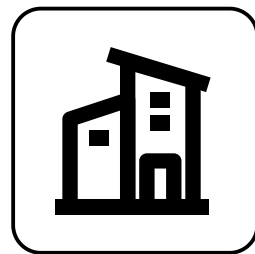
Public Facilities



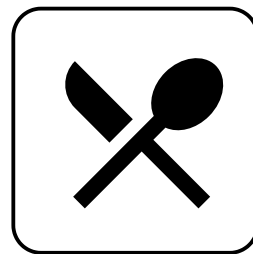
Supermarket



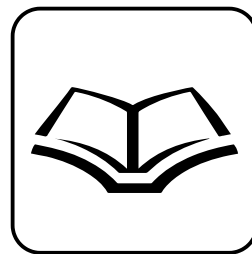
Public Places



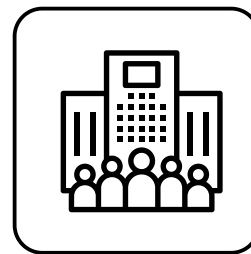
Hotel



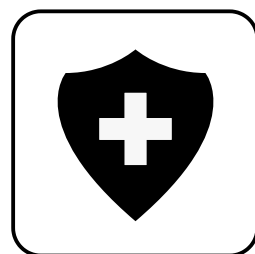
Catering Industry



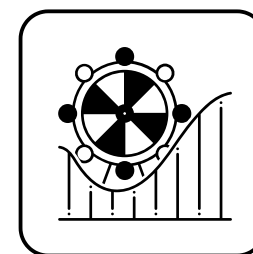
School



Enterprise Company



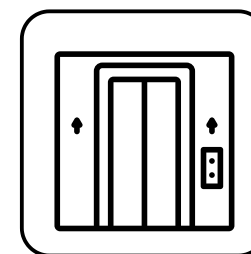
Hospital



Leisure Places



Storefront Advertisement

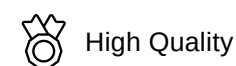


Elevator



Aluminum Wall Cladding Surface Coating

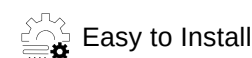
- Excellent weather resistance, long-lasting stable color (no easy fading)
- High acid/alkali resistance, withstands harsh weather (wind, sun, rain)
- Strong adhesion, high toughness, great impact & pollution resistance
- Smooth finish (easy to clean), wide bright color range, premium texture
- Options: solid-color paint, metallic paint (meets diverse needs)



High Quality



Weatherproof & Moisture-proof



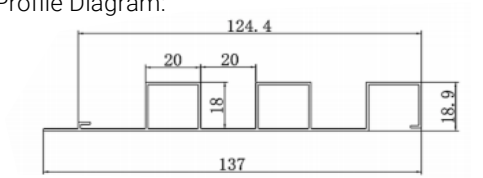

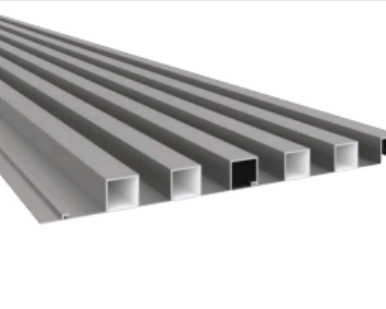
Easy to Install

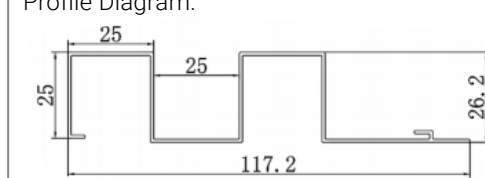




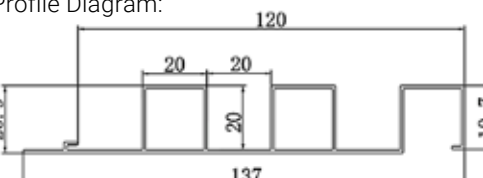


Green & Eco-friendly

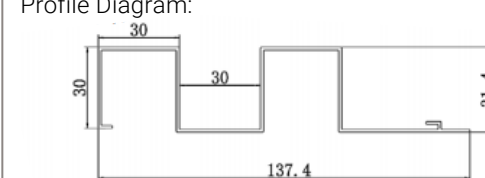




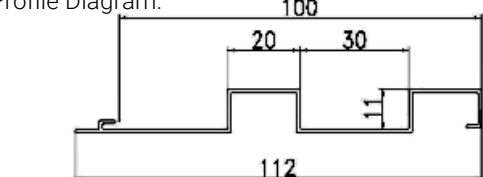


Aluminum Wall Cladding Systems

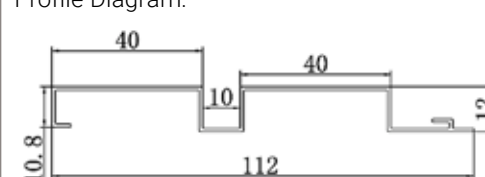


<p>Model: YX-CCB-001 YX-CCB-18.9*20*137</p> <p>Wall Thickness: 0.7mm/0.9mm/ 1.15mm</p> <p>Visible Surface: 120</p> <p>Spraying Area: 0.245</p>	<p>Profile Diagram:</p>  <p>Splicing Diagram:</p> 	
--	--	---

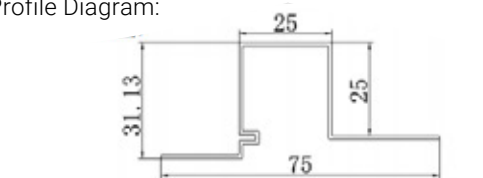


<p>Model: YX-CCB-005 YX-CCB-25*25*117.2</p> <p>Wall Thickness: 0.9mm/1.0mm/1.2mm/ 1.3mm/2.0mm</p> <p>Visible Surface: 100</p> <p>Spraying Area: 0.129</p>	<p>Profile Diagram:</p>  <p>Splicing Diagram:</p> 	
---	--	---



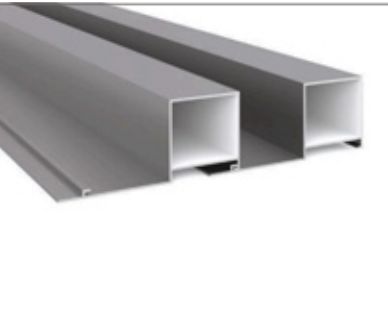
<p>Model: YX-CCB-002 YX-CCB-20.9*20*137</p> <p>Wall Thickness: 0.8mm/0.9mm</p> <p>Visible Surface: 120</p> <p>Spraying Area: 0.257</p>	<p>Profile Diagram:</p>  <p>Splicing Diagram:</p> 	
--	--	---

<p>Model: YX-CCB-006 YX-CCB-30*30*137.4</p> <p>Wall Thickness: 1.1mm</p> <p>Visible Surface: 120</p> <p>Spraying Area: 0.258</p>	<p>Profile Diagram:</p>  <p>Splicing Diagram:</p> 	
--	--	---

<p>Model: YX-CCB-003 YX-CCB-12*20*30*112</p> <p>Wall Thickness: 0.9mm</p> <p>Visible Surface: 100</p> <p>Spraying Area: 0.156</p>	<p>Profile Diagram:</p>  <p>Splicing Diagram:</p> 	
---	--	---

<p>Model: YX-CCB-007 YX-CCB-12*40*10*112</p> <p>Wall Thickness: 0.9mm/1.1mm</p> <p>Visible Surface: 100</p> <p>Spraying Area: 0.158</p>	<p>Profile Diagram:</p>  <p>Splicing Diagram:</p> 	
---	--	---

<p>Model: YX-CCB-004 YX-CCB-25*25*75</p> <p>Wall Thickness: 0.95mm</p> <p>Visible Surface: 50</p> <p>Spraying Area: 0.132</p>	<p>Profile Diagram:</p>  <p>Splicing Diagram:</p> 	
---	--	---

<p>Model: YX-CCB-008 YX-CCB-40*40*40*97.4</p> <p>Wall Thickness: 1.1mm</p> <p>Visible Surface: 80</p> <p>Spraying Area: 0.178</p>	<p>Profile Diagram:</p>  <p>Splicing Diagram:</p> 	
---	--	---

Aluminum Wall Cladding Systems

<p>Model: YX-CCB-009 YX-CCB-30*50*25.4*92.2</p> <p>Wall Thickness: 1.1mm</p> <p>Visible Surface: 76</p> <p>Perimeter: 326</p>	<p>Profile Diagram:</p> <p>Splicing Diagram:</p>	
--	--	--

<p>Model: YX-CCB-013 YX-CCB-5*5*5*116</p> <p>Wall Thickness: 1.0mm</p> <p>Visible Surface: 100</p> <p>Perimeter: 443</p>	<p>Profile Diagram:</p> <p>Splicing Diagram:</p>	
---	--	--

<p>Model: YX-CCB-010 YX-CCB-30*50*35.4*10.2</p> <p>Wall Thickness: 1.1mm</p> <p>Visible Surface: 86</p> <p>Perimeter: 385</p>	<p>Profile Diagram:</p> <p>Splicing Diagram:</p>	
--	--	--

<p>Model: YX-CCB-014 YX-CCB-12*7*13*135.5</p> <p>Wall Thickness: 1.3mm</p> <p>Visible Surface: 120</p> <p>Perimeter: 621</p>	<p>Profile Diagram:</p> <p>Splicing Diagram:</p>	
---	--	--

<p>Model: YX-CCB-011 YX-CCB-5*15*5*32.5</p> <p>Wall Thickness: 0.8mm</p> <p>Visible Surface: 20</p> <p>Perimeter: 107</p>	<p>Profile Diagram:</p> <p>Splicing Diagram:</p>	
--	--	--

<p>Model: YX-CCB-015 YX-CCB-8*8*48</p> <p>Wall Thickness: 1.4mm</p> <p>Visible Surface: 48</p> <p>Perimeter: 211</p>	<p>Profile Diagram:</p> <p>Splicing Diagram:</p>	
---	--	--

<p>Model: YX-CCB-012 YX-CCB-25*25*100*134.5</p> <p>Wall Thickness: 1.0mm</p> <p>Visible Surface: 125</p> <p>Perimeter: 380</p>	<p>Profile Diagram:</p> <p>Splicing Diagram:</p>	
---	--	--

<p>Model: YX-CCB-016 YX-CCB-10*10*108</p> <p>Wall Thickness: 1.0mm</p> <p>Visible Surface: 100</p> <p>Perimeter: 424</p>	<p>Profile Diagram:</p> <p>Splicing Diagram:</p>	
---	--	--

Aluminum Wall Cladding Systems

<p>Model: YX-CCB-017 YX-CCB-15*15*133</p> <p>Wall Thickness: 1.0mm</p> <p>Visible Surface: 120</p> <p>Perimeter: 523</p>	<p>Profile Diagram:</p> <p>Splicing Diagram:</p>	
--	--	--

<p>Model: YX-CCB-021 YX-CCB-10*18*10*127.5</p> <p>Wall Thickness: 1.0mm</p> <p>Visible Surface: 112</p> <p>Perimeter: 428</p>	<p>Profile Diagram:</p> <p>Splicing Diagram:</p>	
---	--	--

<p>Model: YX-CCB-018 YX-CCB-15*25*155.8</p> <p>Wall Thickness: 2.9mm</p> <p>Visible Surface: 140</p> <p>Perimeter: 503</p>	<p>Profile Diagram:</p> <p>Splicing Diagram:</p>	
--	--	--

<p>Model: YX-CCB-022 YX-CCB-11*20*136</p> <p>Wall Thickness: 1.0mm</p> <p>Visible Surface: 120</p> <p>Perimeter: 406</p>	<p>Profile Diagram:</p> <p>Splicing Diagram:</p>	
--	--	--

<p>Model: YX-CCB-019 YX-CCB-20*7*100</p> <p>Wall Thickness: 2.9mm</p> <p>Visible Surface: 100</p> <p>Perimeter: 533</p>	<p>Profile Diagram:</p> <p>Splicing Diagram:</p>	
---	--	--

<p>Model: YX-CCB-023 YX-CCB-10*25*167.2</p> <p>Wall Thickness: 1.4mm</p> <p>Visible Surface: 150</p> <p>Perimeter: 467</p>	<p>Profile Diagram:</p> <p>Splicing Diagram:</p>	
--	--	--

<p>Model: YX-CCB-020 YX-CCB-17*10*90</p> <p>Wall Thickness: 1.4mm</p> <p>Visible Surface: 90</p> <p>Perimeter: 285</p>	<p>Profile Diagram:</p> <p>Splicing Diagram:</p>	
--	--	--

<p>Model: YX-CCB-024 YX-CCB-25*25*45*157.4</p> <p>Wall Thickness: 1.4mm</p> <p>Visible Surface: 140</p> <p>Perimeter: 534</p>	<p>Profile Diagram:</p> <p>Splicing Diagram:</p>	
---	--	--

Aluminum Wall Cladding Systems

<p>Model: YX-CCB-025 YX-CCB-16.7*15*138</p> <p>Wall Thickness: 1.0mm</p> <p>Visible Surface: 115</p> <p>Perimeter: 482</p>	<p>Profile Diagram:</p> <p>Splicing Diagram:</p>	
--	--	--

<p>Model: YX-CCB-029 YX-CCB-40*80*400*1316.4</p> <p>Wall Thickness: 1.3mm</p> <p>Visible Surface: 120</p> <p>Perimeter: 607</p>	<p>Profile Diagram:</p> <p>Splicing Diagram:</p>	
---	--	--

<p>Model: YX-CCB-026 YX-CCB-60*60*60*136.4</p> <p>Wall Thickness: 1.4mm</p> <p>Visible Surface: 120</p> <p>Perimeter: 646</p>	<p>Profile Diagram:</p> <p>Splicing Diagram:</p>	
---	--	--

<p>Model: YX-CCB-030 YX-CCB-20*100*20*137.8</p> <p>Wall Thickness: 1.3mm/1.9mm</p> <p>Visible Surface: 120</p> <p>Perimeter: 378/375</p>	<p>Profile Diagram:</p> <p>Splicing Diagram:</p>	
--	--	--

<p>Model: YX-CCB-027 YX-CCB-28.8*30*30*137.4</p> <p>Wall Thickness: 1.2mm</p> <p>Visible Surface: 118</p> <p>Perimeter: 519</p>	<p>Profile Diagram:</p> <p>Splicing Diagram:</p>	
---	--	--

<p>Model: YX-CCB-031 YX-CCB-51.5*50*117.4</p> <p>Wall Thickness: 1.2mm</p> <p>Visible Surface: 100</p> <p>Perimeter: 549</p>	<p>Profile Diagram:</p> <p>Splicing Diagram:</p>	
--	--	--

<p>Model: YX-CCB-028 YX-CCB-6.4*81.2*106.01</p> <p>Wall Thickness: 1.3mm</p> <p>Visible Surface: 94</p> <p>Perimeter: 262</p>	<p>Profile Diagram:</p> <p>Splicing Diagram:</p>	
---	--	--

<p>Model: YX-CCB-032 YX-CCB-30*30*30*134.4</p> <p>Wall Thickness: 1.1mm</p> <p>Visible Surface: 118</p> <p>Perimeter: 625</p>	<p>Profile Diagram:</p> <p>Splicing Diagram:</p>	
---	--	--

Aluminum Wall Cladding Systems

<p>Model: YX-CCB-033 YX-CCB-6*10*100*122.6</p> <p>Wall Thickness: 1.0mm</p> <p>Visible Surface: 110</p> <p>Perimeter: 303</p>	<p>Profile Diagram:</p> <p>Splicing Diagram:</p>	
--	--	--

<p>Model: YX-CCB-037 YX-CCB-40*30*9*85</p> <p>Wall Thickness: 1.0mm</p> <p>Visible Surface: 70</p> <p>Perimeter: 217</p>	<p>Profile Diagram:</p> <p>Splicing Diagram:</p>	
---	--	--

<p>Model: YX-CCB-034 YX-CCB-28*95*4.5*111.5</p> <p>Wall Thickness: 1.4mm</p> <p>Visible Surface: 99</p> <p>Perimeter: 368</p>	<p>Profile Diagram:</p> <p>Splicing Diagram:</p>	
--	--	--

<p>Model: YX-CCB-038 YX-CCB-40*30*1.0*128.5</p> <p>Wall Thickness: 1.0mm</p> <p>Visible Surface: 120</p> <p>Perimeter: 329</p>	<p>Profile Diagram:</p> <p>Splicing Diagram:</p>	
---	--	--

<p>Model: YX-CCB-035 YX-CCB-12.1*40*10*112</p> <p>Wall Thickness: 1.0mm</p> <p>Visible Surface: 100</p> <p>Perimeter: 332</p>	<p>Profile Diagram:</p> <p>Splicing Diagram:</p>	
--	--	--

<p>Model: YX-CCB-039 YX-CCB-12.7*13.3*157.5</p> <p>Wall Thickness: 0.7mm</p> <p>Visible Surface: 152</p> <p>Perimeter: 687</p>	<p>Profile Diagram:</p> <p>Splicing Diagram:</p>	
---	--	--

<p>Model: YX-CCB-036 YX-CCB-12.1*40*10*112</p> <p>Wall Thickness: 1.2mm</p> <p>Visible Surface: 160</p> <p>Perimeter: 793</p>	<p>Profile Diagram:</p> <p>Splicing Diagram:</p>	
--	--	--

<p>Model: YX-CCB-040 YX-CCB-48.4*30*135.2</p> <p>Wall Thickness: 1.4mm</p> <p>Visible Surface: 119</p> <p>Perimeter: 674</p>	<p>Profile Diagram:</p> <p>Splicing Diagram:</p>	
---	--	--

Aluminum Wall Cladding Systems

<p>Model: YX-CCB-041 YX-CCB-6.4*54.9*106</p> <p>Wall Thickness: 1.3mm</p> <p>Visible Surface: 92</p> <p>Perimeter: 254</p>	<p>Profile Diagram:</p> <p>Splicing Diagram:</p>	
--	--	--

<p>Model: YX-CCB-044 YX-CCB-27.45*172.3</p> <p>Wall Thickness: 1.35mm</p> <p>Visible Surface: 154</p> <p>Perimeter: 716</p>	<p>Profile Diagram:</p> <p>Splicing Diagram:</p>	
---	--	--

<p>Model: YX-CCB-042 YX-CCB-29*28*17*150.4</p> <p>Wall Thickness: 1.1mm/1.2mm/2.0mm</p> <p>Visible Surface: 135</p> <p>Perimeter: 923/922</p>	<p>Profile Diagram:</p> <p>Splicing Diagram:</p>	
---	--	--

<p>Model: YX-CCB-045 YX-CCB-31.1*30*15.8</p> <p>Wall Thickness: 1.1mm</p> <p>Visible Surface: 135</p> <p>Perimeter: 624</p>	<p>Profile Diagram:</p> <p>Splicing Diagram:</p>	
---	--	--

<p>Model: YX-CCB-042-New Model YX-CCB-29*17*150.4</p> <p>Wall Thickness: 1.0mm</p> <p>Visible Surface: 136</p> <p>Perimeter: 931.48</p>	<p>Profile Diagram:</p> <p>Splicing Diagram:</p>	
---	--	--

<p>Model: YX-CCB-046 YX-CCB-18*20*137.2</p> <p>Wall Thickness: 1.0mm</p> <p>Visible Surface: 120</p> <p>Perimeter: 489</p>	<p>Profile Diagram:</p> <p>Splicing Diagram:</p>	
--	--	--

<p>Model: YX-CCB-043 YX-CCB-251*180</p> <p>Wall Thickness: 1.2mm</p> <p>Visible Surface: 73</p> <p>Perimeter: 410</p>	<p>Profile Diagram:</p> <p>Splicing Diagram:</p>	
---	--	--

<p>Model: YX-CCB-047 YX-CCB-15*25*25*95</p> <p>Wall Thickness: 1.2mm</p> <p>Visible Surface: 80</p> <p>Perimeter: 405</p>	<p>Profile Diagram:</p> <p>Splicing Diagram:</p>	
---	--	--

Aluminum Wall Cladding Systems

<p>Model: YX-CCB-048 YX-CCB-30*40*80</p> <p>Wall Thickness: 1.0mm</p> <p>Visible Surface: 70</p> <p>Perimeter: 332</p>	<p>Profile Diagram:</p> <p>Splicing Diagram:</p>	
--	--	--

<p>Model: YX-CCB-052 YX-CCB-30*60*136.9</p> <p>Wall Thickness: 1.4mm</p> <p>Visible Surface: 120</p> <p>Perimeter: 474</p>	<p>Profile Diagram:</p> <p>Splicing Diagram:</p>	
--	--	--

<p>Model: YX-CCB-049 YX-CCB-20*20*60*97.9</p> <p>Wall Thickness: 0.9mm</p> <p>Visible Surface: 80</p> <p>Perimeter: 292</p>	<p>Profile Diagram:</p> <p>Splicing Diagram:</p>	
---	--	--

<p>Model: YX-CCB-053 YX-CCB-30*80*80*179</p> <p>Wall Thickness: 1.5mm</p> <p>Visible Surface: 160</p>	<p>Profile Diagram:</p> <p>Splicing Diagram:</p>	
---	--	--

<p>Model: YX-CCB-050 YX-CCB-100*20*40*84.6</p> <p>Wall Thickness: 1.3mm</p> <p>Visible Surface: 70</p> <p>Perimeter: 639</p>	<p>Profile Diagram:</p> <p>Splicing Diagram:</p>	
--	--	--

<p>Model: YX-CCB-054 YX-CCB-8.9*40*20*135.2</p> <p>Wall Thickness: 1.1mm</p> <p>Visible Surface: 120</p> <p>Perimeter: 356</p>	<p>Profile Diagram:</p> <p>Splicing Diagram:</p>	
--	--	--

<p>Model: YX-CCB-051 YX-CCB-Corner Connector</p> <p>Wall Thickness: 1.0mm</p> <p>Visible Surface: 32</p> <p>Perimeter: 252</p>	<p>Profile Diagram:</p>	
--	-------------------------	--

<p>Model: YX-CCB-055 YX-CCB-18*24*151.05</p> <p>Wall Thickness: 1.0mm</p> <p>Visible Surface: 131</p> <p>Perimeter: 750</p>	<p>Profile Diagram:</p> <p>Splicing Diagram:</p>	
---	--	--

Aluminum Wall Cladding Systems

<p>Model: YX-CCB-056 YX-CCB-10*10.19*130.15</p> <p>Wall Thickness: 1.0mm</p> <p>Visible Surface: 115</p> <p>Perimeter: 324</p>	<p>Profile Diagram:</p> <p>Splicing Diagram:</p>	
--	--	--

<p>Model: YX-CCB #</p> <p>Wall Thickness: *mm</p> <p>Visible Surface: #</p> <p>Perimeter: #</p>	<p>Profile Diagram:</p>	<p>Splicing Diagram:</p>
---	-------------------------	--------------------------

<p>Model: YX-CCB-057-A #</p> <p>Wall Thickness: 0.8mm</p> <p>Visible Surface: 055 Capping</p> <p>Perimeter: 115</p>	<p>Profile Diagram:</p>	
---	-------------------------	--

<p>Model: YX-CCB-061 YX-CCB-40*40*173.4</p> <p>Wall Thickness: 1.4mm</p> <p>Visible Surface: 160</p> <p>Perimeter: 537</p>	<p>Profile Diagram:</p> <p>Splicing Diagram:</p>	
--	--	--

<p>Model: YX-CCB-058-A #</p> <p>Wall Thickness: 0.8mm</p> <p>Visible Surface: 042 Capping</p> <p>Perimeter: 137</p>	<p>Profile Diagram:</p>	
---	-------------------------	--

<p>Model: YX-CCB-062 YX-CCB-96*72.5*144.8</p> <p>Wall Thickness: *mm</p> <p>Visible Surface: #</p> <p>Perimeter: 627</p>	<p>Profile Diagram:</p>	
--	-------------------------	--

<p>Model: YX-CCB-059 YX-CCB-31.2*50*116.4</p> <p>Wall Thickness: 1.2mm</p> <p>Visible Surface: 100</p> <p>Perimeter: 336</p>	<p>Profile Diagram:</p> <p>Splicing Diagram:</p>	
--	--	--

<p>Model: YX-CCB-063 YX-CCB-27.7*54.95*138.9</p> <p>Wall Thickness:</p> <p>Visible Surface: 120</p> <p>Perimeter: 437</p>	<p>Profile Diagram:</p> <p>Splicing Diagram:</p>	
---	--	--

Aluminum Wall Cladding Systems

<p>Model: YX-CCB-064 YX-CCB-14.5*50*131.3</p> <p>Wall Thickness: 1.3mm</p> <p>Visible Surface: 120</p> <p>Perimeter: 368</p>	<p>Profile Diagram:</p> <p>Splicing Diagram:</p>	
--	--	--

<p>Model: YX-CCB-068 YX-CCB-20*20*123.06</p> <p>Wall Thickness: 0.9mm</p> <p>Visible Surface: 120</p> <p>Perimeter: 500</p>	<p>Profile Diagram:</p> <p>Splicing Diagram:</p>	
---	--	--

<p>Model: YX-CCB-065 YX-CCB-11*10*129</p> <p>Wall Thickness: 0.95mm</p> <p>Visible Surface: 120</p> <p>Perimeter: 510</p>	<p>Profile Diagram:</p> <p>Splicing Diagram:</p>	
---	--	--

<p>Model: YX-CCB-069 YX-CCB-18.6*20*164</p> <p>Wall Thickness: 1.4mm</p> <p>Visible Surface: 150</p> <p>Perimeter: 571</p>	<p>Profile Diagram:</p> <p>Splicing Diagram:</p>	
--	--	--

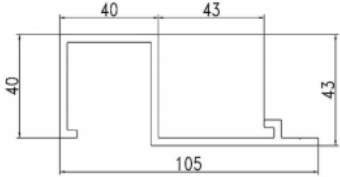

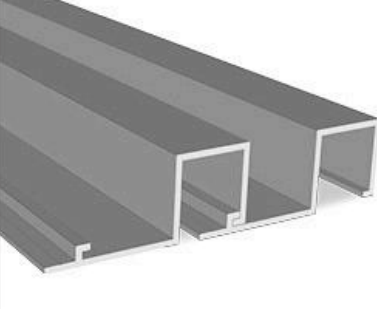
<p>Model: YX-CCB-066 YX-CCB-31.2*50*110</p> <p>Wall Thickness: 1.05mm</p> <p>Visible Surface: 100</p> <p>Perimeter: 357</p>	<p>Profile Diagram:</p> <p>Splicing Diagram:</p>	
---	--	--

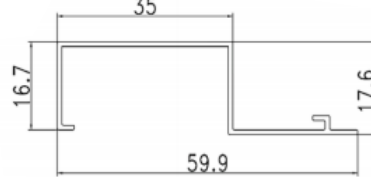

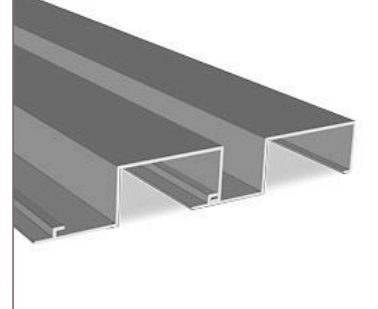
<p>Model: YX-CCB YX-CCB</p> <p>Wall Thickness: *mm</p> <p>Visible Surface: #</p> <p>Perimeter: #</p>	<p>Profile Diagram:</p> <p>Splicing Diagram:</p>	
--	--	--

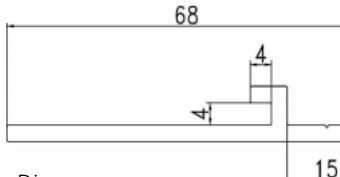

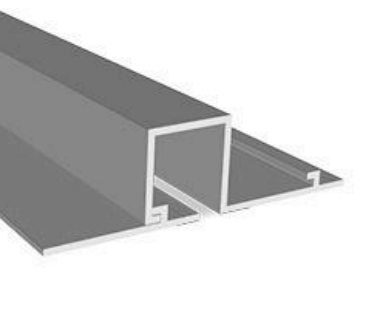
<p>Model: YX-CCB-067 YX-CCB-21.2*40*134.9</p> <p>Wall Thickness: 1.3mm</p> <p>Visible Surface: 120</p> <p>Perimeter: 447</p>	<p>Profile Diagram:</p> <p>Splicing Diagram:</p>	
--	--	--


<p>Model: YX-CCB-071 YX-CCB-20.9*40*94.2</p> <p>Wall Thickness: 0.8mm</p> <p>Visible Surface: 80</p> <p>Perimeter: 287.8</p>	<p>Profile Diagram:</p> <p>Splicing Diagram:</p>	
--	--	--

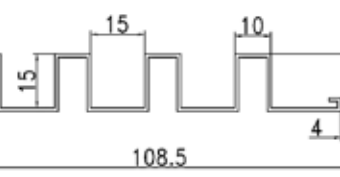

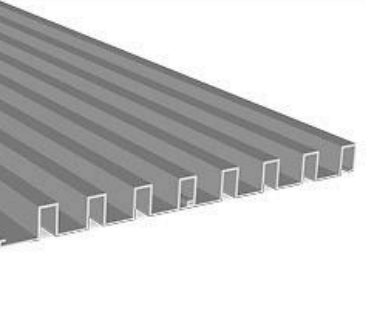
Aluminum Wall Cladding Systems

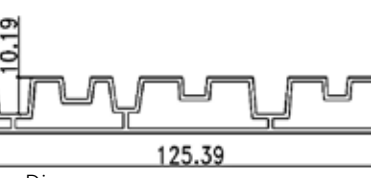

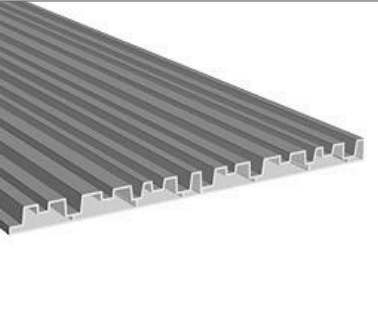
<p>Model: YX-CCB-072 YX-CCB-43*40*105</p> <p>Wall Thickness: 3mm</p> <p>Visible Surface: 80</p> <p>Perimeter: 398.195</p>	<p>Profile Diagram:</p>  <p>Splicing Diagram:</p> 	
---	--	---

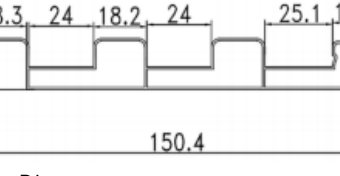
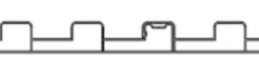
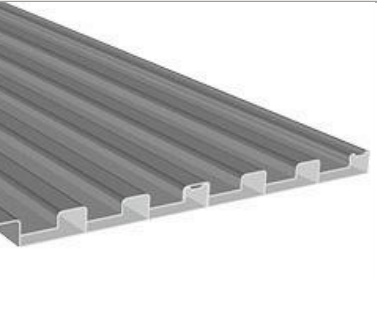
<p>Model: YX-CCB-076 YX-CCB-43*40*105</p> <p>Wall Thickness: 0.9mm</p> <p>Visible Surface: 50</p> <p>Perimeter: 199.94</p>	<p>Profile Diagram:</p>  <p>Splicing Diagram:</p> 	
--	--	---

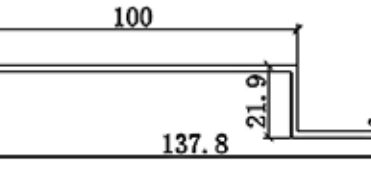


<p>Model: YX-CCB-073 YX-CCB-4*15*68</p> <p>Wall Thickness: 3mm</p> <p>Visible Surface: 43</p> <p>Perimeter: 163.225</p>	<p>Profile Diagram:</p>  <p>Splicing Diagram:</p> 	
---	---	--

<p>Model: YX-CCB-000 YX-CCB-#</p> <p>Wall Thickness: *mm</p> <p>Visible Surface: *</p> <p>Perimeter: *</p>	<p>Profile Diagram:</p> <p>Splicing Diagram:</p>	
--	--	--

<p>Model: YX-CCB-074 YX-CCB-43*40*105</p> <p>Wall Thickness: 1.0mm</p> <p>Visible Surface: 100</p> <p>Perimeter: 472.2</p>	<p>Profile Diagram:</p>  <p>Splicing Diagram:</p> 	
--	--	---

<p>Model: YX-XWG-828 #</p> <p>Wall Thickness: 1.2mm</p> <p>Visible Surface: 125</p> <p>Perimeter: 717</p>	<p>Profile Diagram:</p>  <p>Splicing Diagram:</p> 	
---	--	---

<p>Model: YX-CCB-075 YX-CCB-18*24*150.4</p> <p>Wall Thickness: 0.8mm/1.0mm</p> <p>Visible Surface: 131</p> <p>Perimeter: 753.88</p>	<p>Profile Diagram:</p>  <p>Splicing Diagram:</p> 	
---	--	---

<p>Model: YX-CCB-030-1.9 YX-CCB-21.9*100*20*137.8</p> <p>Wall Thickness: 1.9mm</p> <p>Visible Surface: 120</p> <p>Perimeter: 375</p>	<p>Profile Diagram:</p>  <p>Splicing Diagram:</p> 	
--	--	---

Aluminum Wall Cladding Systems

Model:
YX-LMY-002
YX-54*9

Wall Thickness:
3.0mm

Visible Surface: 34

Perimeter: 165

Profile Diagram:

Splicing Diagram:

Model:
YX-CCB-078
YX-CCB-11*30*95

Wall Thickness:
1.0mm

Visible Surface: 80

Perimeter: 287.6

Profile Diagram:

Splicing Diagram:

Model:
YX-LMY-045
YX-50*50*100*166

Wall Thickness:
1.5mm

Visible Surface: 150

Perimeter: 554

Profile Diagram:

Splicing Diagram:

Model:
YX-CCB-079
YX-CCB-30*20*112

Wall Thickness:
1.0mm

Visible Surface: 100

Perimeter: 475.19

Profile Diagram:

Splicing Diagram:

Model:
YX-LMY-095
YX-50*30*50*82

Wall Thickness:
1.5mm

Visible Surface: 82

Perimeter: 0.162

Profile Diagram:

Splicing Diagram:

Model:
YX-XWG-1047
YX-XWG-17.8*17

Wall Thickness: 0.8mm

Visible Surface:
Heat-Insulating Tile
Edge Finishing

Perimeter: 70.58

Profile Diagram:

Model:
YX-CCB-077
YX-CCB-20*30*138

Wall Thickness:
2.0mm

Visible Surface: 120

Perimeter: 444.85

Profile Diagram:

Splicing Diagram:

Model:
YX-CCB-080
YX-CCB-31*25*54

Wall Thickness:
1.0mm

Visible Surface: 40

Perimeter: 280.6

Profile Diagram:

Splicing Diagram:

Aluminum Wall Cladding Systems

Model:
YX-CCB-081
YX-CCB-27.9*25*155.8

Wall Thickness:
1.5mm

Visible Surface: 140

Perimeter: 498.16

Profile Diagram:

Splicing Diagram:

Model:
YX-CCB-085
YX-CCB-40*40*97.5

Wall Thickness:
1.0mm

Visible Surface: 80

Perimeter: 317.8

Profile Diagram:

Splicing Diagram:

Model:
YX-CCB-082
YX-CCB-11.4*10*91

Wall Thickness:
1.0mm

Visible Surface: 75

Perimeter: 356.8

Profile Diagram:

Splicing Diagram:

Model:
YX-CCB-086
YX-CCB-40*20*97

Wall Thickness:
1.1mm

Visible Surface: 80

Perimeter: 522

Profile Diagram:

Splicing Diagram:

Model:
YX-CCB-083
YX-CCB-21*30*71

Wall Thickness:
0.9mm

Visible Surface: 60

Perimeter: 236.6

Profile Diagram:

Splicing Diagram:

Model:
YX-CCB-087
YX-CCB-45.1*40*133.3

Wall Thickness:
1.1mm

Visible Surface: 120

Perimeter: 458.953

Profile Diagram:

Splicing Diagram:

Model:
YX-CCB-084
YX-CCB-21*60*81

Wall Thickness:
0.9mm

Visible Surface: 70

Perimeter: 256.6

Profile Diagram:

Splicing Diagram:

Model:
YX-CCB-088
YX-CCB-17*29*134

Wall Thickness:
1.1mm

Visible Surface: 116

Perimeter: 348.52

Profile Diagram:

Splicing Diagram:

Aluminum Wall Cladding Systems

Model:
YX-CCB-089
YX-CCB-16.6*90*138

Wall Thickness:
1.2mm

Visible Surface: 120

Perimeter: 377.08

Profile Diagram:

Model:
YX-CCB-093
YX-CCB-21*60*81

Wall Thickness:
1.0mm

Visible Surface: 90

Perimeter: 305.8

Profile Diagram:

Model:
YX-CCB-090
YX-CCB-18*10*137.5

Wall Thickness:
1.1mm

Visible Surface: 120

Perimeter: 546.6

Profile Diagram:

Model:
YX-CCB-094
YX-CCB-51.1*50*116.2

Wall Thickness:
1.0mm

Visible Surface: 100

Perimeter: 377.4

Profile Diagram:

Model:
YX-CCB-091
YX-CCB-14.115*142

Wall Thickness:
1.0mm

Visible Surface: 128

Perimeter: 472.2

Profile Diagram:

Model:
YX-CCB-095
YX-CCB-18.85*105*123

Wall Thickness:
1.0mm

Visible Surface: 110

Perimeter: 329.2

Profile Diagram:

Model:
YX-CCB-092
YX-CCB-5*2.2*93

Wall Thickness:
As Shown In The Figure

Visible Surface: 83

Perimeter: 352.15

Profile Diagram:

Model:
YX-CCB-096
YX-CCB-25*25*112.5

Wall Thickness:
1.5mm

Visible Surface: 100

Perimeter: 407

Profile Diagram:

Aluminum Wall Cladding Systems

Model:
YX-CCB-097
YX-CCB-12.3*15*133

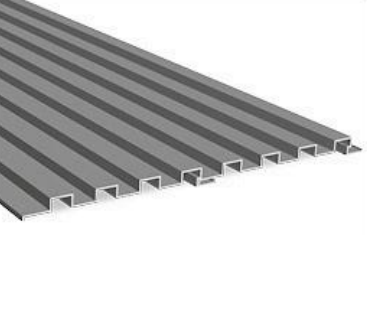
Wall Thickness:
1.0mm

Visible Surface: 120

Perimeter: 412.6

Profile Diagram:

Splicing Diagram:



Model:
YX-CCB-101
YX-CCB-35*35*136

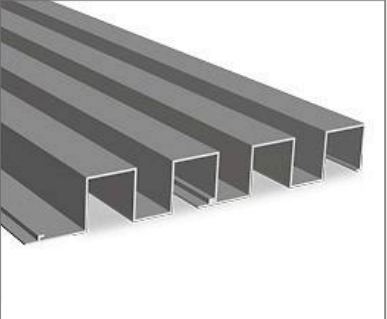
Wall Thickness:
1.3mm

Visible Surface: 122

Perimeter: 599.4

Profile Diagram:

Splicing Diagram:



Model:
YX-CCB-098
YX-CCB-6.3*5*80.77

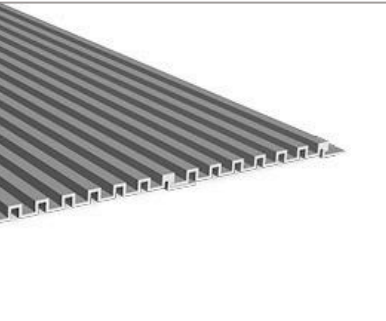
Wall Thickness:
1.0mm

Visible Surface: 70

Perimeter: 277.28

Profile Diagram:

Splicing Diagram:



Model:
YX-CCB-102
YX-CCB-18*10*132.8

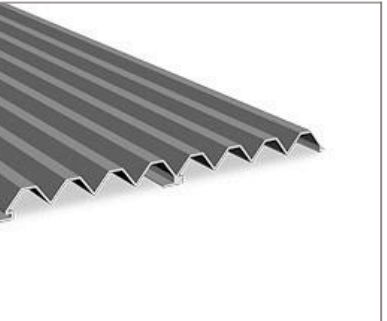
Wall Thickness:
1.1mm

Visible Surface: 120

Perimeter: 395.14

Profile Diagram:

Splicing Diagram:



Model:
YX-CCB-099
YX-CCB-16.5*30*134.3

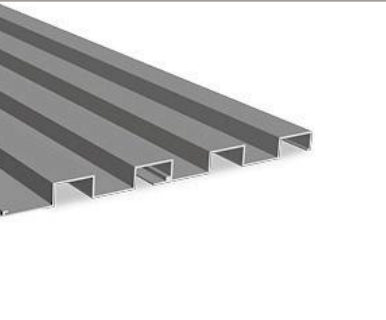
Wall Thickness:
1.2mm

Visible Surface: 120

Perimeter: 404.4

Profile Diagram:

Splicing Diagram:



Model:
YX-CCB-103
YX-CCB-38*30*137

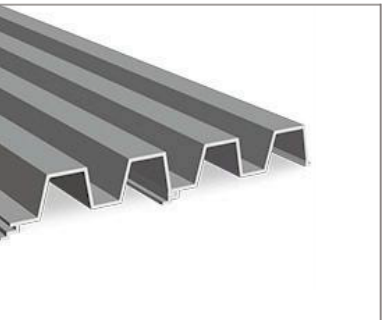
Wall Thickness:
1.0mm

Visible Surface: 126

Perimeter: 484.42

Profile Diagram:

Splicing Diagram:



Model:
YX-CCB-100
YX-CCB-50*60*99

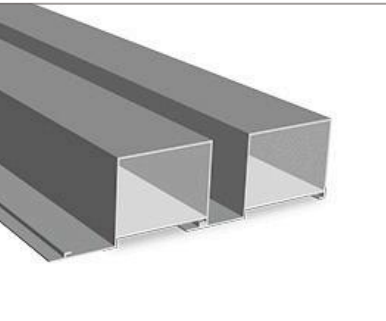
Wall Thickness:
1.0mm

Visible Surface: 85

Perimeter: 526.6

Profile Diagram:

Splicing Diagram:



Model:
YX-CCB-104
YX-CCB-34.8*15*97

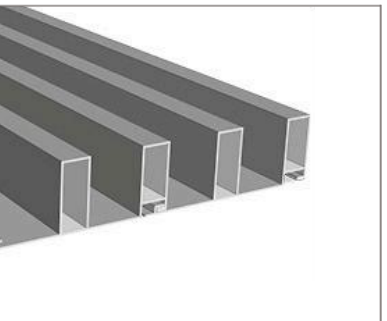
Wall Thickness:
1.0mm

Visible Surface: 85

Perimeter: 363.57

Profile Diagram:

Splicing Diagram:



Aluminum Wall Cladding Systems

Model:
YX-CCB-105
YX-CCB-21.5*50*135.3

Wall Thickness:
1.2mm

Visible Surface: 120

Perimeter: 452.09

Profile Diagram:

Splicing Diagram:

Model:
YX-CCB-109
YX-CCB-11.8*28*102

Wall Thickness:
1.0mm

Visible Surface: 88

Perimeter: 305

Profile Diagram:

Splicing Diagram:

Model:
YX-CCB-106
YX-CCB-20.5*10*131.2

Wall Thickness:
1.2mm

Visible Surface: 120

Perimeter: 352.53

Profile Diagram:

Splicing Diagram:

Model:
YX-CCB-110
YX-CCB-16.6*15.1*80

Wall Thickness:
0.9mm

Visible Surface: 71

Perimeter: 244.11

Profile Diagram:

Splicing Diagram:

Model:
YX-CCB-107
YX-CCB-35.9*8*100

Wall Thickness:
1.0mm

Visible Surface: 90

Perimeter: 322.7

Profile Diagram:

Splicing Diagram:

Model:
YX-CCB-111
YX-CCB-20.1*25*163

Wall Thickness:
1.3mm

Visible Surface: 150

Perimeter: 575.27

Profile Diagram:

Splicing Diagram:

Model:
YX-CCB-108
YX-CCB-12.2*25*139

Wall Thickness:
1.1mm

Visible Surface: 124

Perimeter: 427.2

Profile Diagram:

Splicing Diagram:

Model:
YX-CCB-112
YX-CCB-14.55*10*130

Wall Thickness:
1.1mm

Visible Surface: 120

Perimeter: 391.74

Profile Diagram:

Splicing Diagram:

Aluminum Wall Cladding Systems

Model:
YX-CCB-113
YX-CCB-17.2*30*46.8

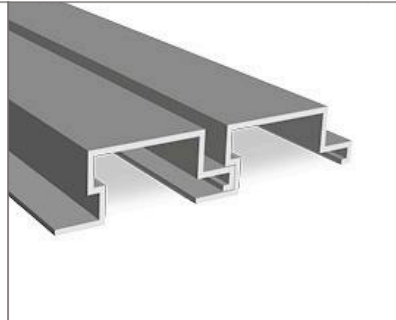
Wall Thickness:
0.8mm

Visible Surface: 36

Perimeter: 175

Profile Diagram:

Splicing Diagram:



Model:
YX-CCB-117
YX-CCB-30.95*30*72.8

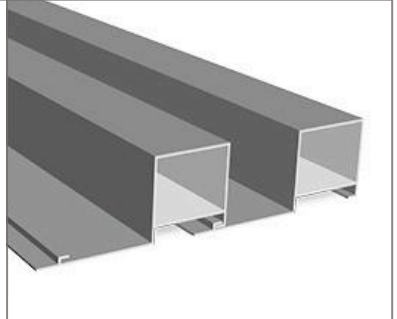
Wall Thickness:
0.85mm

Visible Surface: 60

Perimeter: 234.9

Profile Diagram:

Splicing Diagram:



Model:
YX-CCB-114
YX-CCB-14.7*15*102

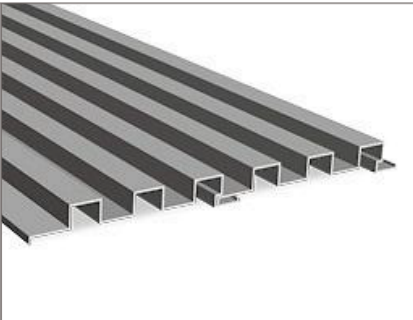
Wall Thickness:
1.0mm

Visible Surface: 90

Perimeter: 352.8

Profile Diagram:

Splicing Diagram:



Model:
YX-CCB-118
YX-CCB-10*15*101.5

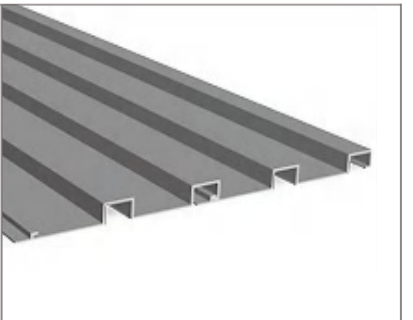
Wall Thickness:
0.9mm

Visible Surface: 90

Perimeter: 290.4

Profile Diagram:

Splicing Diagram:



Model:
YX-CCB-115
YX-CCB-20*40*134

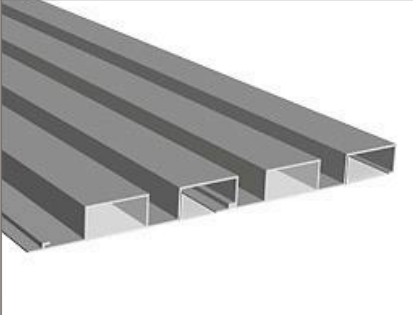
Wall Thickness:
1.1mm

Visible Surface: 120

Perimeter: 400

Profile Diagram:

Splicing Diagram:



Model:
YX-CCB-119
YX-CCB-16.2*50*137.1

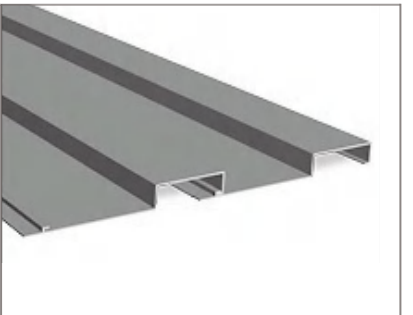
Wall Thickness:
1.1mm

Visible Surface: 120

Perimeter: 353.2

Profile Diagram:

Splicing Diagram:



Model:
YX-CCB-116
YX-CCB-24.05*10*94

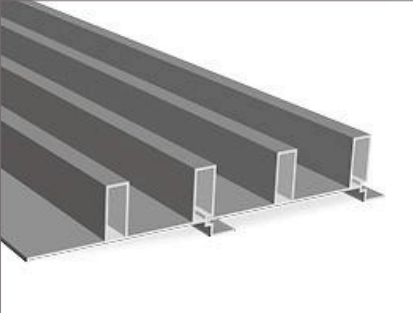
Wall Thickness:
0.95mm

Visible Surface: 120

Perimeter: 300.02

Profile Diagram:

Splicing Diagram:



Model:
YX-CCB-120
YX-CCB-14.55*10*130

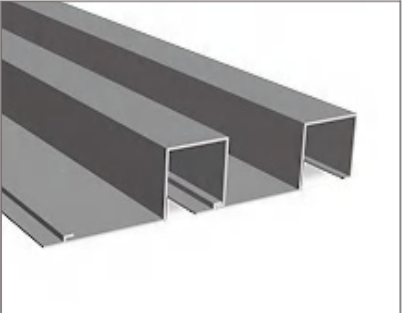
Wall Thickness:
0.95mm

Visible Surface: 70

Perimeter: 306.8

Profile Diagram:

Splicing Diagram:



<p>Model: YX-CCB-121 YX-CCB-32.2*50*120</p> <p>Wall Thickness: 2.0mm</p> <p>Visible Surface: 100</p> <p>Perimeter: 468.4</p>	<p>Profile Diagram:</p> <p>Splicing Diagram:</p>	
--	--	--

<p>Model: YX-CCB-125 YX-CCB-31*50*110</p> <p>Wall Thickness: 0.85mm</p> <p>Visible Surface: 100</p> <p>Perimeter: 352.19</p>	<p>Profile Diagram:</p> <p>Splicing Diagram:</p>	
--	--	--

<p>Model: YX-CCB-122 YX-CCB-20*25*117.2</p> <p>Wall Thickness: 1.4mm</p> <p>Visible Surface: 100</p> <p>Perimeter: 400.6</p>	<p>Profile Diagram:</p> <p>Splicing Diagram:</p>	
--	--	--

<p>Model: YX-CCB-126 YX-CCB-10*15*101.5</p> <p>Wall Thickness: 1.0mm</p> <p>Visible Surface: 120</p> <p>Perimeter: 441.5</p>	<p>Profile Diagram:</p> <p>Splicing Diagram:</p>	
--	--	--

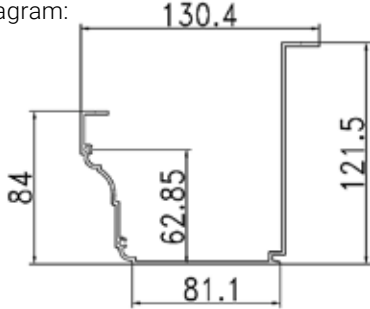
<p>Model: YX-CCB-123 YX-CCB-31.3*15*118</p> <p>Wall Thickness: 1.1mm</p> <p>Visible Surface: 105</p> <p>Perimeter: 614.4</p>	<p>Profile Diagram:</p> <p>Splicing Diagram:</p>	
--	--	--

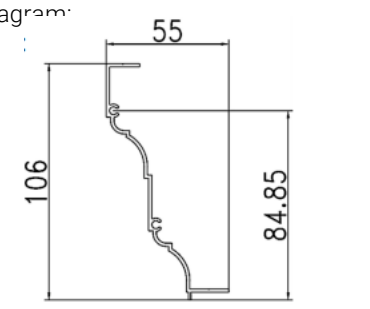
<p>Model: YX-CCB-127 YX-CCB-20*24*131.35</p> <p>Wall Thickness: 1.0mm</p> <p>Visible Surface: *</p> <p>Perimeter: *</p>	<p>Profile Diagram:</p> <p>Splicing Diagram:</p>	
---	--	--

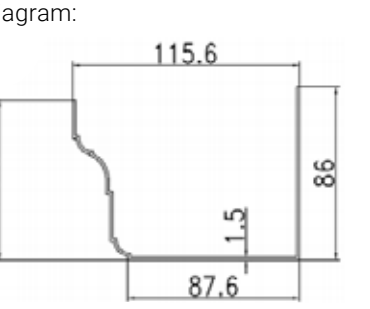
<p>Model: YX-CCB-124 YX-CCB-21.4*100*136</p> <p>Wall Thickness: 1.1mm</p> <p>Visible Surface: 119</p> <p>Perimeter: 364.49</p>	<p>Profile Diagram:</p> <p>Splicing Diagram:</p>	
--	--	--

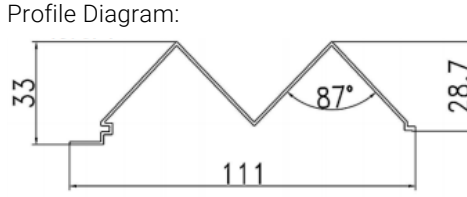

<p>Model: YX-CCB-128 YX-CCB-51.1-22.2*133.9</p> <p>Wall Thickness: 1.1mm</p> <p>Visible Surface: 115</p> <p>Perimeter: #</p>	<p>Profile Diagram:</p> <p>Splicing Diagram:</p>	
--	--	--

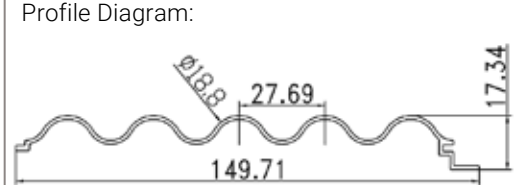
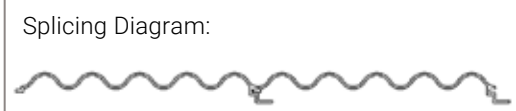

Aluminum Wall Cladding Systems

<p>Model: YX-CCB-135 YX-CCB-121.5*130.4*81.1</p> <p>Wall Thickness: 1.8mm</p> <p>Visible Surface: *</p> <p>Perimeter: 702.45</p>	<p>Profile Diagram:</p> 
--	---

<p>Model: YX-CCB-136 YX-CCB-106*55*84.85</p> <p>Wall Thickness: 1.5mm</p> <p>Visible Surface: *</p> <p>Perimeter: 338.92</p>	<p>Profile Diagram:</p> 
--	---

<p>Model: YX-CCB-137 YX-CCB-#</p> <p>Wall Thickness: 1.4mm</p> <p>Visible Surface: *</p> <p>Perimeter: 534.83</p>	<p>Profile Diagram:</p> 
---	---

<p>Model: YX-CCB-138 YX-CCB-33*87°*111</p> <p>Wall Thickness: 0.9mm</p> <p>Visible Surface: 98</p> <p>Perimeter: 337.55</p>	<p>Profile Diagram:</p>  <p>Splicing Diagram:</p> 
---	--

<p>Model: YX-BLB-001 YX-BLB-17.34*27.69*149.71</p> <p>Wall Thickness: 1.2mm</p> <p>Visible Surface: 138</p> <p>Perimeter: 387</p>	<p>Profile Diagram:</p>  <p>Splicing Diagram:</p> 	
---	--	---

<p>Model: YX-BLB-# YX-BLB-###</p> <p>Wall Thickness: *m</p> <p>Visible Surface: *</p> <p>Perimeter: *</p>	<p>Profile Diagram:</p>	
	<p>Splicing Diagram:</p>	

<p>Model: YX-BLB-# YX-BLB-###</p> <p>Wall Thickness: *m</p> <p>Visible Surface: *</p> <p>Perimeter: *</p>	<p>Profile Diagram:</p>	
	<p>Splicing Diagram:</p>	

<p>Model: YX-BLB-### YX-BLB-#</p> <p>Wall Thickness: *mm</p> <p>Visible Surface: *</p> <p>Perimeter: *</p>	<p>Profile Diagram:</p>	
	<p>Splicing Diagram:</p>	

Aluminum Wall Cladding Systems

<p>Model: YX-BLB-002 YX-BLB-10*20*133</p> <p>Wall Thickness: 1.2mm</p> <p>Visible Surface: 120</p> <p>Perimeter: 400</p>	<p>Profile Diagram:</p> <p>Splicing Diagram:</p>	
--	--	--

<p>Model: YX-BLB-006 YX-BLB-10*20*60</p> <p>Wall Thickness: 0.9mm</p> <p>Visible Surface: 60</p> <p>Perimeter: 204</p>	<p>Profile Diagram:</p> <p>Splicing Diagram:</p>	
--	--	--

<p>Model: YX-BLB-003 YX-BLB-54.7*98*113</p> <p>Wall Thickness: 1.1mm</p> <p>Visible Surface: 98</p> <p>Perimeter: 361</p>	<p>Profile Diagram:</p> <p>Splicing Diagram:</p>	
---	--	--

<p>Model: YX-BLB-007 YX-BLB-8*70*88.9</p> <p>Wall Thickness: 1.2mm/1.0mm</p> <p>Visible Surface: 70</p> <p>Perimeter: 211/209</p>	<p>Profile Diagram:</p> <p>Splicing Diagram:</p>	
---	--	--

<p>Model: YX-BLB-004 YX-BLB-5*10*20*153</p> <p>Wall Thickness: 1.3mm</p> <p>Visible Surface: 140</p> <p>Perimeter: 403</p>	<p>Profile Diagram:</p> <p>Splicing Diagram:</p>	
--	--	--

<p>Model: YX-BLB-008 YX-BLB-42.1*100*115.5</p> <p>Wall Thickness: 1.1mm</p> <p>Visible Surface: 100</p> <p>Perimeter: 464</p>	<p>Profile Diagram:</p> <p>Splicing Diagram:</p>	
---	--	--

<p>Model: YX-BLB-005 YX-BLB-4.25*20*12.89*151</p> <p>Wall Thickness: 1.1mm</p> <p>Visible Surface: 140</p> <p>Perimeter: 389</p>	<p>Profile Diagram:</p> <p>Splicing Diagram:</p>	
--	--	--

<p>Model: YX-BLB-009 YX-BLB-11*16*95.5</p> <p>Wall Thickness: 0.8mm</p> <p>Visible Surface: 80</p> <p>Perimeter: 361</p>	<p>Profile Diagram:</p> <p>Splicing Diagram:</p>	
--	--	--

Aluminum Wall Cladding Systems

Model:
YX-BLB-010
YX-BLB-25*30*20*117


Wall Thickness:
0.9mm

Visible Surface: 100

Perimeter: 392

Profile Diagram:

Splicing Diagram:



Model:
YX-BLB-014
YX-BLB-31.3*60*73


Wall Thickness:
1.0mm

Visible Surface: 60

Perimeter: 239

Profile Diagram:

Splicing Diagram:



Model:
YX-BLB-011
YX-BLB-13.1*30*103


Wall Thickness:
0.8mm

Visible Surface: 90

Perimeter: 310

Profile Diagram:

Splicing Diagram:



Model:
YX-BLB-015
YX-BLB-9.65*20*153


Wall Thickness:
1.2mm

Visible Surface: 140

Perimeter: 453

Profile Diagram:

Splicing Diagram:



Model:
YX-BLB-012
YX-BLB-20.8*40*55


Wall Thickness:
0.8mm

Visible Surface: 40

Perimeter: 174

Profile Diagram:

Splicing Diagram:



Model:
YX-BLB-016
YX-BLB-60*60*136.8

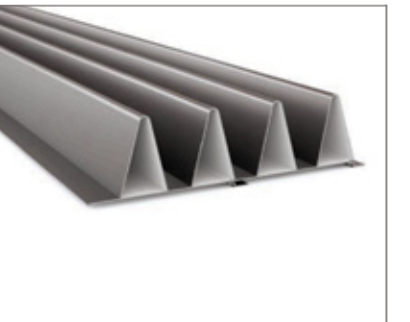
Wall Thickness:
1.4mm

Visible Surface: 120

Perimeter: 477

Profile Diagram:

Splicing Diagram:



Model:
YX-BLB-013
YX-BLB-18*50*65.5

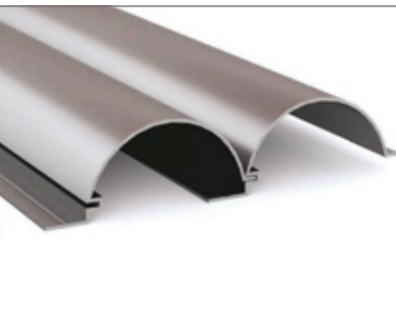
Wall Thickness:
0.9mm

Visible Surface: 50

Perimeter: 188

Profile Diagram:

Splicing Diagram:



Model:
YX-BLB-017
YX-BLB-61.6*120*135


Wall Thickness:
1.3mm

Visible Surface: 120

Perimeter: 434

Profile Diagram:

Splicing Diagram:



Aluminum Wall Cladding Systems

<p>Model: YX-BLB-018 YX-BLB-6.7*50*13.7*108.8</p> <p>Wall Thickness: 1.1mm</p> <p>Visible Surface: 100</p> <p>Perimeter: 306</p>	<p>Profile Diagram:</p>	
--	-------------------------	--

<p>Model: YX-BLB-022 YX-BLB-8*30*114.5</p> <p>Wall Thickness: 1.3mm</p> <p>Visible Surface: 99</p> <p>Perimeter: 285</p>	<p>Profile Diagram:</p>	
--	-------------------------	--

<p>Model: YX-BLB-019 YX-BLB-13.9*12*185</p> <p>Wall Thickness: 1.4mm</p> <p>Visible Surface: 168</p> <p>Perimeter: 416</p>	<p>Profile Diagram:</p>	
--	-------------------------	--

<p>Model: YX-BLB-023 YX-BLB-6.8*30*165.2</p> <p>Wall Thickness: 1.2mm</p> <p>Visible Surface: 151</p> <p>Perimeter: 387</p>	<p>Profile Diagram:</p>	
---	-------------------------	--

<p>Model: YX-BLB-020 YX-BLB-13.9*12*161</p> <p>Wall Thickness: 1.4mm</p> <p>Visible Surface: 144</p> <p>Perimeter: 367</p>	<p>Profile Diagram:</p>	
--	-------------------------	--

<p>Model: YX-BLB-024 YX-BLB-8*30*3*114.5</p> <p>Wall Thickness: 1.0mm</p> <p>Visible Surface: 99</p> <p>Perimeter: 287</p>	<p>Profile Diagram:</p>	
--	-------------------------	--

<p>Model: YX-BLB-021 YX-BLB-10*20*210</p> <p>Wall Thickness: 1.9mm</p> <p>Visible Surface: 196</p> <p>Perimeter: 725</p>	<p>Profile Diagram:</p>	
--	-------------------------	--

<p>Model: YX-BLB-025 YX-BLB-32.1*50*135</p> <p>Wall Thickness: 1.1mm</p> <p>Visible Surface: 120</p> <p>Perimeter: 402</p>	<p>Profile Diagram:</p>	
--	-------------------------	--

Aluminum Wall Cladding Systems

<p>Model: YX-BLB-026 YX-BLB-25.1*52.4*119</p> <p>Wall Thickness: 1.1mm</p> <p>Visible Surface: 105</p> <p>Perimeter: 446</p>	<p>Profile Diagram:</p> <p>Splicing Diagram:</p>	
--	--	--

<p>Model: YX-BLB-030 YX-BLB-20*60*137.9</p> <p>Wall Thickness: 1.1mm</p> <p>Visible Surface: 120</p> <p>Perimeter: 391</p>	<p>Profile Diagram:</p> <p>Splicing Diagram:</p>	
--	--	--

<p>Model: YX-BLB-027 YX-BLB-9.34*100*113.5</p> <p>Wall Thickness: 1.1mm</p> <p>Visible Surface: 100</p> <p>Perimeter: 264</p>	<p>Profile Diagram:</p> <p>Splicing Diagram:</p>	
---	--	--

<p>Model: YX-BLB-031 YX-BLB-40*80*117.6</p> <p>Wall Thickness: 1.2mm/1.8mm</p> <p>Visible Surface: 100</p> <p>Perimeter: 352/352</p>	<p>Profile Diagram:</p> <p>Splicing Diagram:</p>	
--	--	--

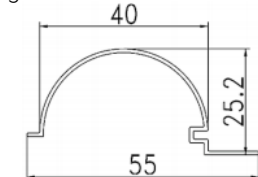

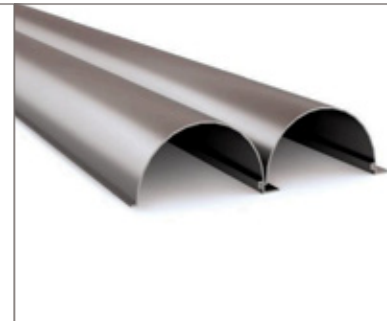
<p>Model: YX-BLB-028 YX-BLB-3.5*150*165.8</p> <p>Wall Thickness: 2.9mm</p> <p>Visible Surface: 150</p> <p>Perimeter: 478</p>	<p>Profile Diagram:</p> <p>Splicing Diagram:</p>	
--	--	--

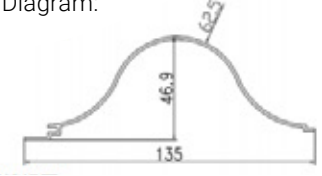

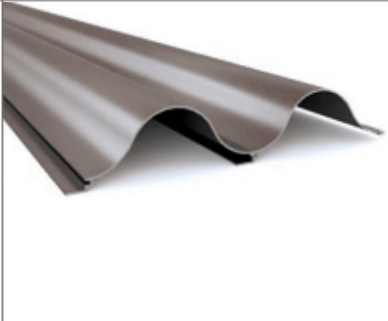
<p>Model: YX-BLB-032 YX-BLB-14.4**15*163</p> <p>Wall Thickness: 1.4mm</p> <p>Visible Surface: 150</p> <p>Perimeter: 471</p>	<p>Profile Diagram:</p> <p>Splicing Diagram:</p>	
---	--	--

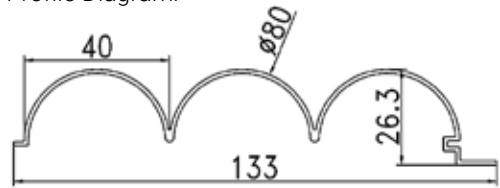


<p>Model: YX-BLB-029 YX-BLB-16.7*20*135.5</p> <p>Wall Thickness: 1.0mm</p> <p>Visible Surface: 120</p> <p>Perimeter: 392</p>	<p>Profile Diagram:</p> <p>Splicing Diagram:</p>	
--	--	--

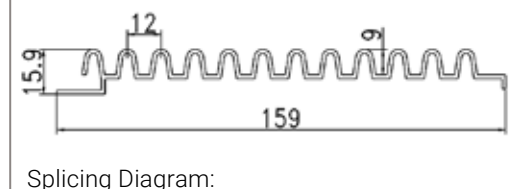
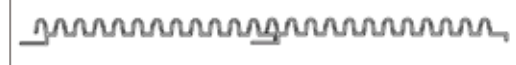
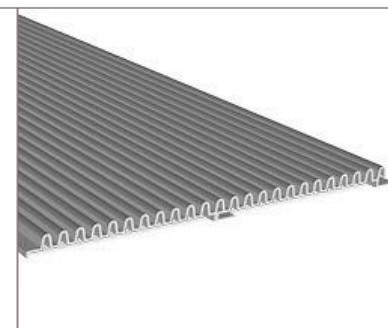
<p>Model: YX-BLB-033 YX-BLB-16.9*20*153</p> <p>Wall Thickness: 1.4mm</p> <p>Visible Surface: 140</p> <p>Perimeter: 455</p>	<p>Profile Diagram:</p> <p>Splicing Diagram:</p>	
--	--	--

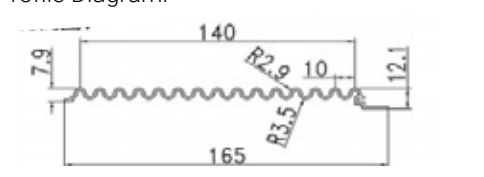


Aluminum Wall Cladding Systems

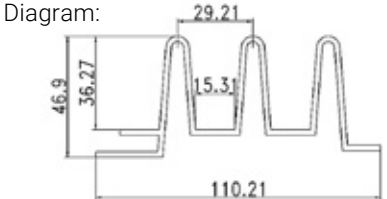

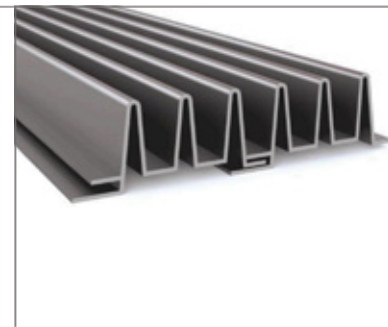
<p>Model: YX-BLB-034 YX-BLB-20*40*55</p> <p>Wall Thickness: 0.9mm</p> <p>Visible Surface: 40</p> <p>Perimeter: 179</p>	<p>Profile Diagram:</p>  <p>Splicing Diagram:</p> 	
--	--	---

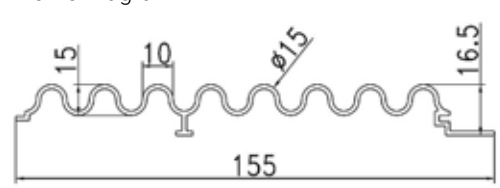


<p>Model: YX-BLB-038 YX-BLB-46.9* 62.5*135</p> <p>Wall Thickness: 1.3mm</p> <p>Visible Surface: 120</p> <p>Perimeter: 360</p>	<p>Profile Diagram:</p>  <p>Splicing Diagram:</p> 	
---	--	---

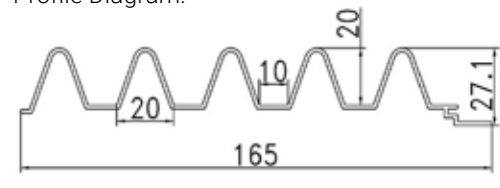


<p>Model: YX-BLB-035 YX-BLB-26.3*40*133</p> <p>Wall Thickness: 1.1mm</p> <p>Visible Surface: 120</p> <p>Perimeter: 413</p>	<p>Profile Diagram:</p>  <p>Splicing Diagram:</p> 	
--	---	--

<p>Model: YX-BLB-039 YX-BLB-15.9*12*159</p> <p>Wall Thickness: 1.4mm</p> <p>Visible Surface: 144</p> <p>Perimeter: 681</p>	<p>Profile Diagram:</p>  <p>Splicing Diagram:</p> 	
--	---	--

<p>Model: YX-BLB-036 YX-BLB-12.1*10*165</p> <p>Wall Thickness: 1.4mm</p> <p>Visible Surface: 150</p> <p>Perimeter: 529</p>	<p>Profile Diagram:</p>  <p>Splicing Diagram:</p> 	
--	--	---

<p>Model: YX-BLB-040 YX-BLB-46.9*29.2*110.2</p> <p>Wall Thickness: 2.1mm</p> <p>Visible Surface: 88</p> <p>Perimeter: 668</p>	<p>Profile Diagram:</p>  <p>Splicing Diagram:</p> 	
---	--	---

<p>Model: YX-BLB-037 YX-BLB-16.5*17.2*155</p> <p>Wall Thickness: 1.4mm</p> <p>Visible Surface: 138</p> <p>Perimeter: 515</p>	<p>Profile Diagram:</p>  <p>Splicing Diagram:</p> 	
--	--	---

<p>Model: YX-BLB-041 YX-BLB-27.1*30*165</p> <p>Wall Thickness: 1.3mm</p> <p>Visible Surface: 150</p> <p>Perimeter: 620</p>	<p>Profile Diagram:</p>  <p>Splicing Diagram:</p> 	
--	--	---

Aluminum Wall Cladding Systems

<p>Model: YX-BLB-042 YX-BLB-51.1*116*12.74</p> <p>Wall Thickness: 1.2mm</p> <p>Visible Surface: 112</p> <p>Perimeter: 568</p>	<p>Profile Diagram:</p>	
---	-------------------------	--

<p>Model: YX-BLB-046 YX-BLB-13.2*33.3*149.3</p> <p>Wall Thickness: 1.2mm</p> <p>Visible Surface: 133</p> <p>Perimeter: 382</p>	<p>Profile Diagram:</p>	
--	-------------------------	--

<p>Model: YX-BLB #</p> <p>Wall Thickness: *mm</p> <p>Visible Surface: #</p> <p>Perimeter: #</p>	<p>Profile Diagram:</p>	
	<p>Splicing Diagram:</p>	

<p>Model: YX-BLB-047 YX-BLB-24*50*65.5</p> <p>Wall Thickness: 0.9mm</p> <p>Visible Surface: 50</p> <p>Perimeter: 188</p>	<p>Profile Diagram:</p>	
--	-------------------------	--

<p>Model: YX-BLB-044 YX-BLB-20.3*194*220</p> <p>Wall Thickness: 2.0mm</p> <p>Visible Surface: 203</p> <p>Perimeter: 514</p>	<p>Profile Diagram:</p>	
---	-------------------------	--

<p>Model: YX-BLB-048 YX-BLB-17.34*33.3*149.71</p> <p>Wall Thickness: 1.2mm</p> <p>Visible Surface: 133</p> <p>Perimeter: 371</p>	<p>Profile Diagram:</p>	
--	-------------------------	--

<p>Model: YX-BLB-045 YX-BLB-15*78*90</p> <p>Wall Thickness: 1.0mm</p> <p>Visible Surface: 78</p> <p>Perimeter: 262</p>	<p>Profile Diagram:</p>	
--	-------------------------	--

<p>Model: YX-BLB-049 YX-BLB-32*60*134.5</p> <p>Wall Thickness: 1.05mm</p> <p>Visible Surface: 120</p> <p>Perimeter: 390</p>	<p>Profile Diagram:</p>	
---	-------------------------	--

<p>Model: YX-BLB-050 YX-BLB-10.25*30*163</p> <p>Wall Thickness: 1.2mm</p> <p>Visible Surface: 150</p> <p>Perimeter: 381</p>	<p>Profile Diagram:</p> <p>Splicing Diagram:</p>	
---	--	--

<p>Model: YX-BLB-054 #</p> <p>Wall Thickness: 1.5mm</p> <p>Visible Surface: 181</p> <p>Perimeter: 757</p>	<p>Profile Diagram:</p> <p>Splicing Diagram:</p>	
---	--	--

<p>Model: YX-BLB-051 YX-BLB-40.7*60*143.5</p> <p>Wall Thickness: 1.2mm</p> <p>Visible Surface: 130</p> <p>Perimeter: 460</p>	<p>Profile Diagram:</p> <p>Splicing Diagram:</p>	
--	--	--

<p>Model: YX-BLB-055 YX-BLB-10.4*49.4*166.15</p> <p>Wall Thickness: 1.2mm</p> <p>Visible Surface: 149</p> <p>Perimeter: 400</p>	<p>Profile Diagram:</p> <p>Splicing Diagram:</p>	
---	--	--

<p>Model: YX-BLB-052 YX-BLB-30.5*112.5</p> <p>Wall Thickness: 1.1mm</p> <p>Visible Surface: 100</p> <p>Perimeter: 282</p>	<p>Profile Diagram:</p> <p>Splicing Diagram:</p>	
---	--	--

<p>Model: YX-BLB-056 YX-BLB-32*R28*74.01</p> <p>Wall Thickness: 3.0mm</p> <p>Visible Surface: 74</p> <p>Perimeter: 230</p>	<p>Profile Diagram:</p> <p>Splicing Diagram:</p>	
--	--	--

<p>Model: YX-BLB-053 YX-BLB-37.9*R15*134.5</p> <p>Wall Thickness: 1.2mm</p> <p>Visible Surface: 121</p> <p>Perimeter: 432</p>	<p>Profile Diagram:</p> <p>Splicing Diagram:</p>	
---	--	--

<p>Model: YX-BLB-057 #</p> <p>Wall Thickness: 1.8mm</p> <p>Visible Surface: 202</p> <p>Perimeter: 648</p>	<p>Profile Diagram:</p> <p>Splicing Diagram:</p>	
---	--	--

Aluminum Wall Cladding Systems

Model:
YX-BLB-058
YX-BLB-24.5*40*180.36

Wall Thickness:
2.0mm

Visible Surface: 167

Perimeter: 570

Profile Diagram:

Model:
YX-LMY-085
YX-BLB-14.7*83*10*108.2

Wall Thickness:
1.2mm

Visible Surface: 93

Perimeter: 328

Profile Diagram:

Model:
YX-BLB-063
YX-BLB-23.8*50*168.19

Wall Thickness:
1.2mm

Visible Surface: 150

Perimeter: 482

Profile Diagram:

Model:
YX-LMY-172
YX-BLB-7.5*70*88.9

Wall Thickness:
2.0mm

Visible Surface: 70

Perimeter: 209

Profile Diagram:

Model:
YX-BLB-064
YX-BLB-32.5*50*193.8

Wall Thickness:
1.3mm

Visible Surface: 180

Perimeter: 589

Profile Diagram:

Model:
YX-CL-200
#

Wall Thickness:
1.6mm

Visible Surface: #

Perimeter: 852

Profile Diagram:

Model:
YX-LMY-084
YX-BLB-3*20*131

Wall Thickness:
1.1mm

Visible Surface: 120

Perimeter: 345

Profile Diagram:

Model:
YX-BLB-JLY-063
BLB-5*11*164

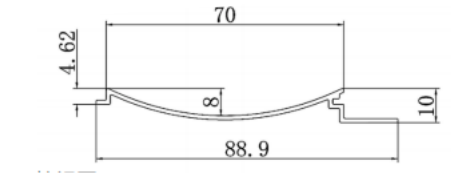


Wall Thickness:
1.5mm

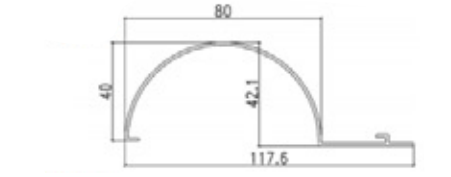


Visible Surface: 153

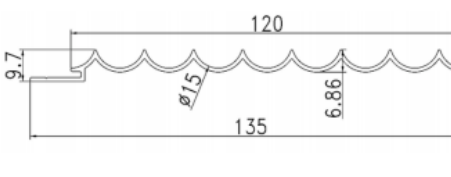

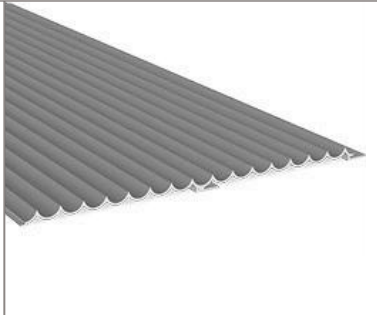
Perimeter: 531

Profile Diagram:

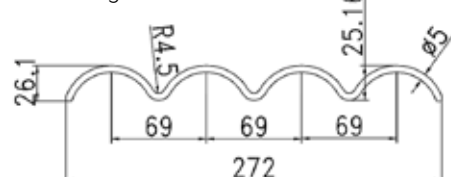

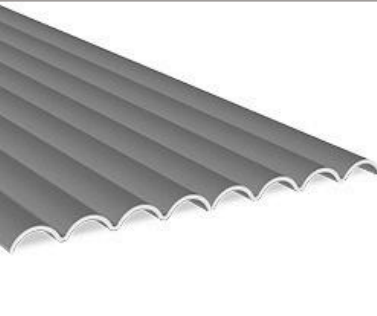
Aluminum Wall Cladding Systems

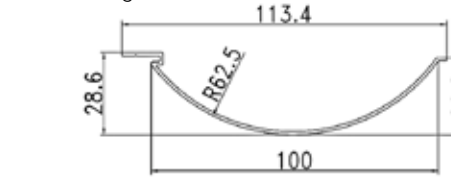


<p>Model: YX-BLB-007-1.0 YX-BLB-10*70*8*88.9</p> <p>Wall Thickness: 1.0mm</p> <p>Visible Surface: 70</p> <p>Perimeter: 209</p>	<p>Profile Diagram:</p>  <p>Splicing Diagram:</p> 	
--	--	---

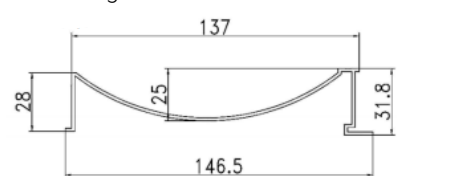

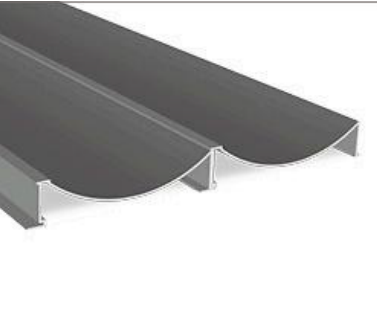
<p>Model: YX-BLB-031-1.2 YX-BLB-40*80*117.6</p> <p>Wall Thickness: 1.2mm</p> <p>Visible Surface: 100</p> <p>Perimeter: 352</p>	<p>Profile Diagram:</p>  <p>Splicing Diagram:</p> 	
--	--	---

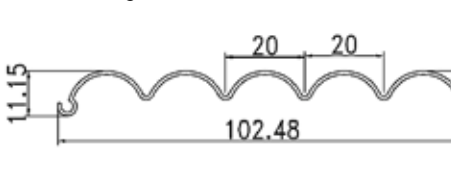

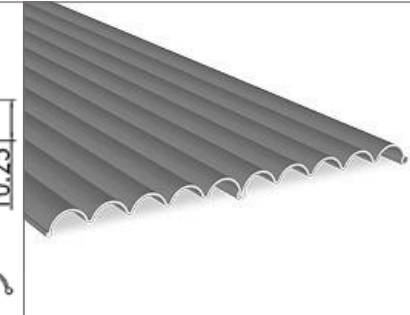
<p>Model: YX-XWG-807 YX-BLB-9.7* 15*120</p> <p>Wall Thickness: 1.2mm</p> <p>Visible Surface: 120</p> <p>Perimeter: 350</p>	<p>Profile Diagram:</p>  <p>Splicing Diagram:</p> 	
--	--	---

--	--	--

<p>Model: YX-XWG-819 YX-BLB-26.1* 5*272</p> <p>Wall Thickness: 5.0mm</p> <p>Visible Surface: 272</p> <p>Perimeter: 678</p>	<p>Profile Diagram:</p>  <p>Splicing Diagram:</p> 	
--	--	---

<p>Model: YX-BLB-065 YX-BLB-28.6*100*113.4</p> <p>Wall Thickness: 1.1mm</p> <p>Visible Surface: 100</p> <p>Perimeter: 278</p>	<p>Profile Diagram:</p>  <p>Splicing Diagram:</p> 	
---	--	---

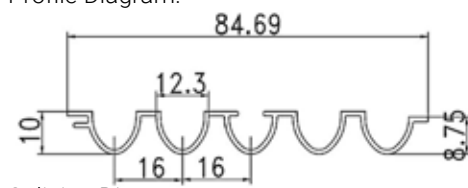

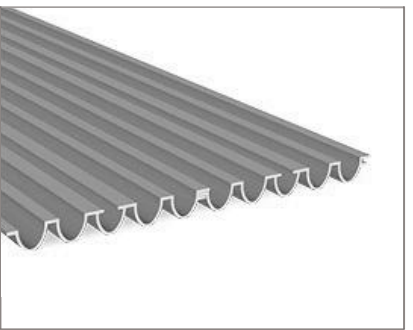
<p>Model: YX-XWG-728 YX-BLB-31.8*137*146.5</p> <p>Wall Thickness: 1.5mm</p> <p>Visible Surface: 137</p> <p>Perimeter: 451</p>	<p>Profile Diagram:</p>  <p>Splicing Diagram:</p> 	
---	--	---

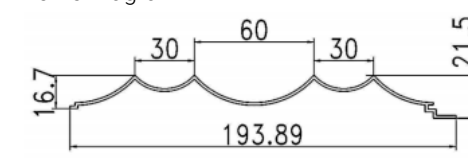

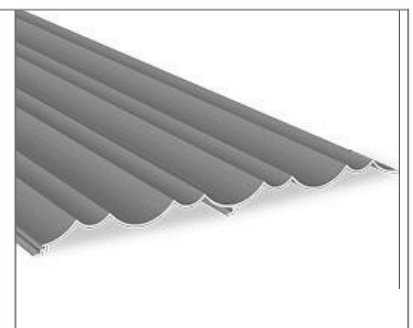
<p>Model: YX-BLB-066 YX-BLB-11.15*20*102.48</p> <p>Wall Thickness: 0.9mm</p> <p>Visible Surface: 99</p> <p>Perimeter: 278</p>	<p>Profile Diagram:</p>  <p>Splicing Diagram:</p> 	
---	--	---

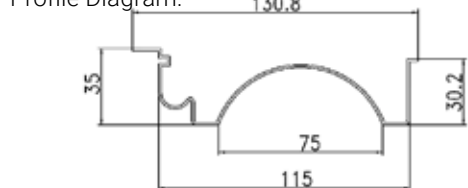




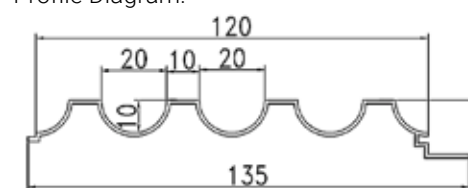

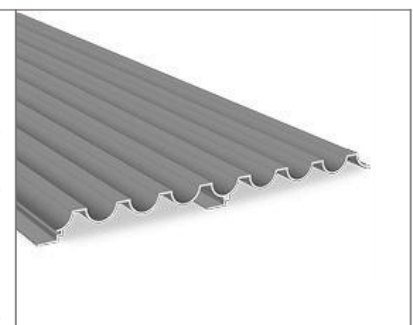
Aluminum Wall Cladding



<p>Model: YX-BLB-067 YX-BLB-10*16*84.69</p> <p>Wall Thickness: 1.0mm</p> <p>Visible Surface: 80</p> <p>Perimeter: 302</p>	<p>Profile Diagram:</p>  <p>Splicing Diagram:</p> 	
---	--	---

<p>Model: YX-BLB-068 YX-BLB-21.5*30*60*193.89</p> <p>Wall Thickness: 1.4mm</p> <p>Visible Surface: 180</p> <p>Perimeter: 455</p>	<p>Profile Diagram:</p>  <p>Splicing Diagram:</p> 	
--	--	--

<p>Model: YX-BLB-069 YX-BLB-35*75*115*130.8</p> <p>Wall Thickness: 1.2mm</p> <p>Visible Surface: 115</p> <p>Perimeter: 451</p>	<p>Profile Diagram:</p>  <p>Splicing Diagram:</p> 	
--	--	---

<p>Model: YX-BLB-070 YX-BLB-17.7*20*120*135</p> <p>Wall Thickness: 1.1mm</p> <p>Visible Surface: 120</p> <p>Perimeter: 384</p>	<p>Profile Diagram:</p>  <p>Splicing Diagram:</p> 	
--	--	---

Aluminum Wall Cladding Systems

Model:
YX-BLB-071
YX-BLB-10*12.3*82.59

Wall Thickness:
1.2mm

Visible Surface: 79

Perimeter: 296

Profile Diagram:
82.59
12.3
10
16
Splicing Diagram:

Model:
YX-BLB-075
YX-BLB-11.05*20*91

Wall Thickness:
1.1mm

Visible Surface: 80

Perimeter: 231.888

Profile Diagram:
80
20
9.65
4.25
R15.72
11.05
11.2
91
Splicing Diagram:

Model:
YX-BLB-072
YX-BLB-14.3*14.61*117

Wall Thickness:
1.0mm

Visible Surface: 102

Perimeter: 356

Profile Diagram:
108.54
14.3
14.61
6.8
117
7.6
Splicing Diagram:

Model:
YX-BLB-076
YX-BLB-10.37*120*138.8

Wall Thickness:
1.0mm

Visible Surface: 120

Perimeter: 319.855

Profile Diagram:
10.37
120
138.8
6.1
Splicing Diagram:

Model:
YX-BLB-073
YX-BLB-16.8*20*136.7

Wall Thickness:
1.0mm

Visible Surface: 125

Perimeter: 421.39

Profile Diagram:
R10
20
5
20
5
20
5
20
5
20
14.7
136.7
16.8
Splicing Diagram:

Model:
YX-BLB-077
YX-BLB-30.3*75*185.66

Wall Thickness:
1.5mm

Visible Surface: 165

Perimeter: 922.762

Profile Diagram:
R2.5
23.5
185.66
30.3
Splicing Diagram:

Model:
YX-BLB-074
YX-BLB-17.1*20*135.5

Wall Thickness:
1.4mm

Visible Surface: 120

Perimeter: 399.12

Profile Diagram:
20
10
20
10
R10
12.9
135.5
17.1
Splicing Diagram:

Model:
YX-BLB-078
YX-BLB-26.2*191

Wall Thickness:
1.2mm

Visible Surface: 175

Perimeter: 650.659

Profile Diagram:
R10.07
26.2
10.5
R7.2
R10.02
20.7
10
191
16.9
14.4
18.8
Splicing Diagram:

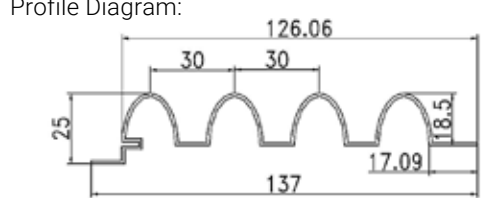
Aluminum Wall Cladding Systems


Model:
YX-BLB-079
YX-BLB-25*30*137

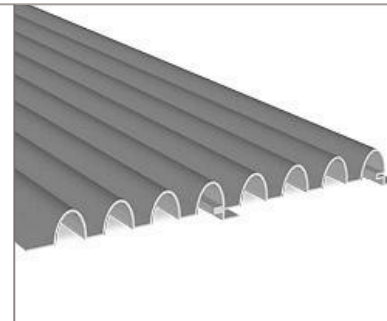
Wall Thickness:
1.0mm

Visible Surface: 120

Perimeter: 505.91

Profile Diagram:


Splicing Diagram:


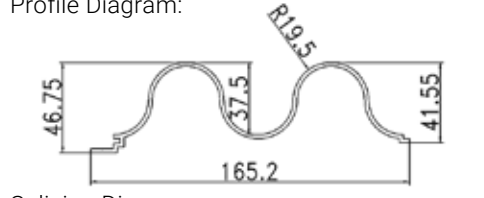



Model:
YX-BLB-083
YX-BLB-46.75*37.5*165.2

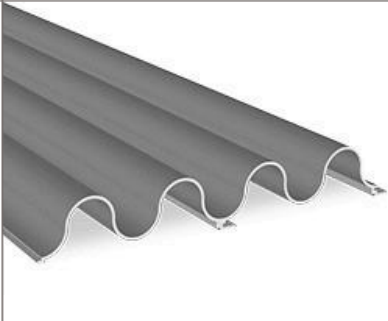
Wall Thickness:
2.0mm

Visible Surface: 150

Perimeter: 530.692

Profile Diagram:


Splicing Diagram:


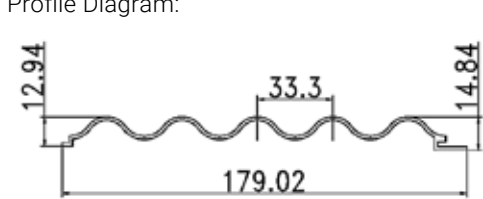


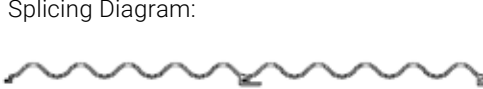
Model:
YX-BLB-080
YX-BLB-14.84*33.3*179.02

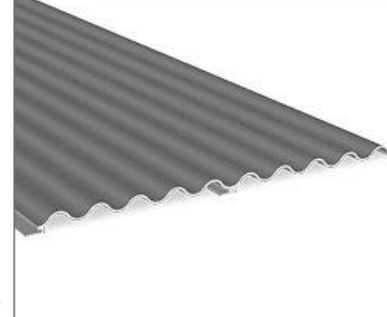
Wall Thickness:
1.5mm

Visible Surface: 166

Perimeter: 439.26

Profile Diagram:


Splicing Diagram:


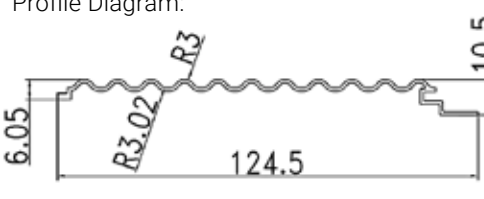


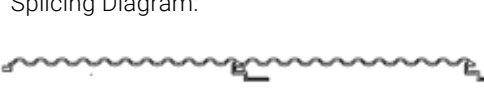
Model:
YX-BLB-084
YX-BLB-10.5*6.05*124.5

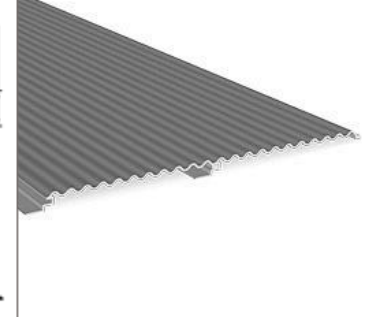
Wall Thickness:
1.0mm

Visible Surface: 109

Perimeter: 316.88

Profile Diagram:


Splicing Diagram:


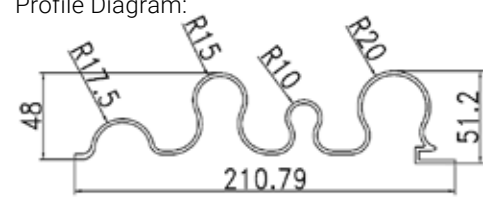



Model:
YX-BLB-081
YX-BLB-51.2*48*210.79

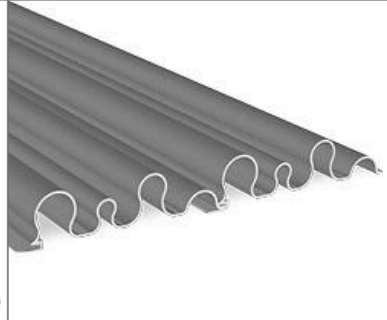
Wall Thickness:
2.0mm

Visible Surface: 191

Perimeter: 881.89

Profile Diagram:


Splicing Diagram:


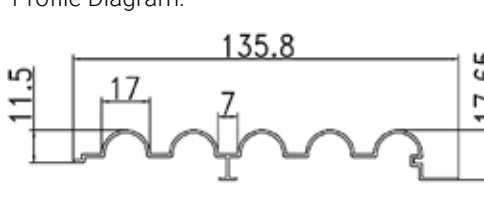


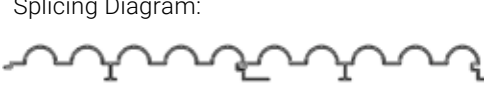
Model:
YX-BLB-085
YX-BLB-17.65*7*135.8

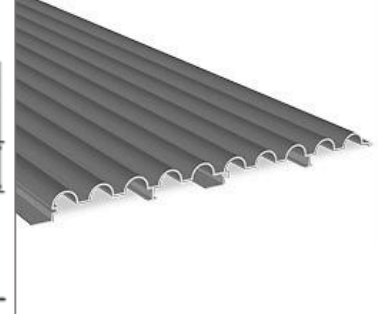
Wall Thickness:
1.0mm

Visible Surface: 120

Perimeter: 428.349

Profile Diagram:


Splicing Diagram:


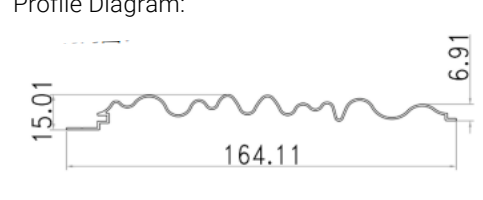



Model:
YX-BLB-082
YX-BLB-15.01*6.91*164.11


Wall Thickness:
1.0mm

Visible Surface: 147

Perimeter: 444.11

Profile Diagram:


Splicing Diagram:


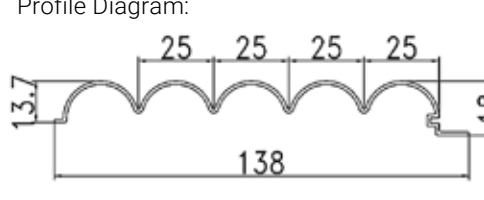



Model:
YX-BLB-086
YX-BLB-13.7*25*138

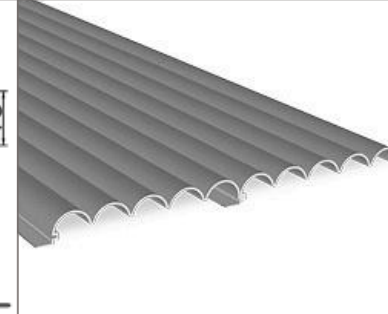
Wall Thickness:
1.1mm

Visible Surface: 125

Perimeter: 394.53

Profile Diagram:


Splicing Diagram:




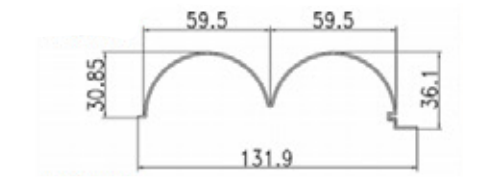
Aluminum Wall Cladding Systems


Model:
YX-BLB-087
YX-BLB-36.1*59.5*131.9

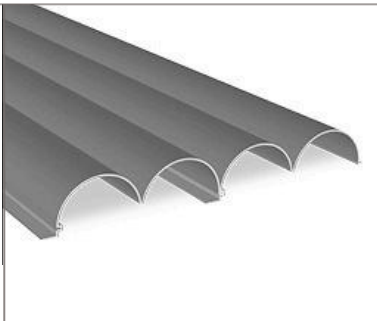
Wall Thickness:
1.0mm

Visible Surface: 119

Perimeter: 404.48

Profile Diagram:


Splicing Diagram:


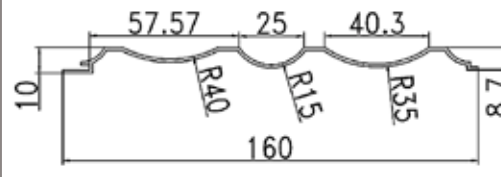


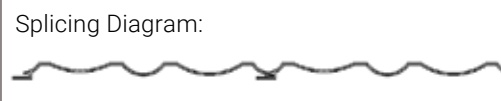
Model:
YX-BLB-091
YX-BLB-10*R15*160


Wall Thickness:
1.2mm

Visible Surface: 150

Perimeter: 365.38

Profile Diagram:


Splicing Diagram:


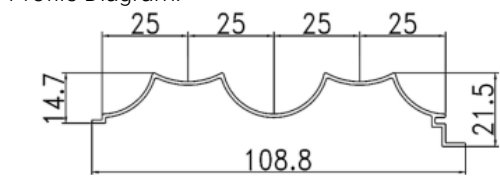



Model:
YX-BLB-088
YX-BLB-21.5*25*108.8

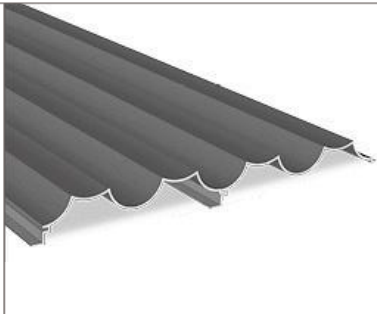
Wall Thickness:
1.0mm

Visible Surface: 100

Perimeter: 290.67

Profile Diagram:


Splicing Diagram:


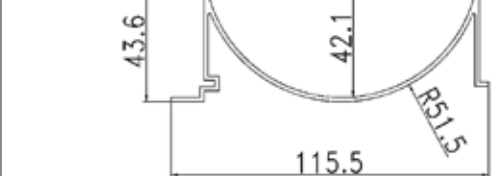


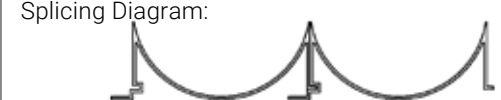
Model:
YX-BLB-092
YX-BLB-43.6*R51.5*115.5

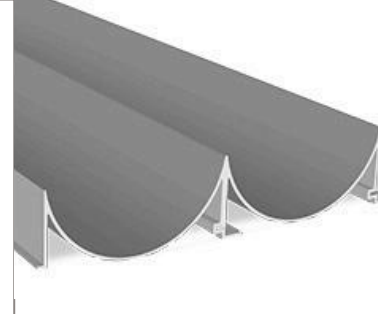
Wall Thickness:
1.5mm

Visible Surface: 100

Perimeter: 454.38

Profile Diagram:


Splicing Diagram:


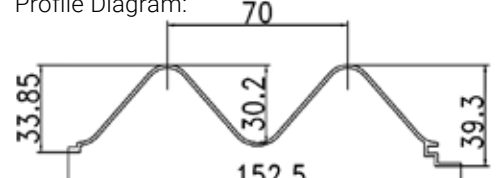



Model:
YX-BLB-089
YX-BLB-39.3*70*152.5

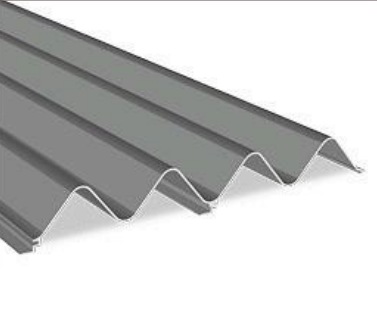
Wall Thickness:
1.2mm

Visible Surface: 140

Perimeter: 266.7

Profile Diagram:


Splicing Diagram:


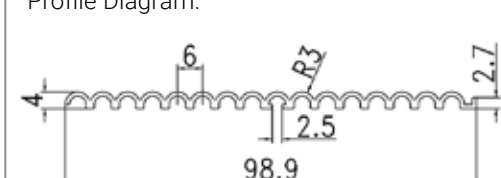


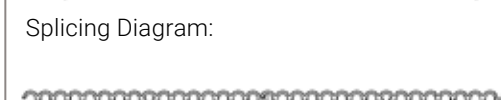
Model:
YX-BLB-093
YX-BLB-4*R3*98.9

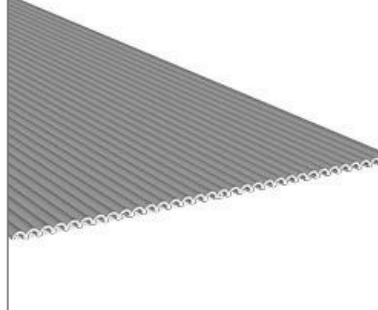
Wall Thickness:
1.0mm

Visible Surface: 96

Perimeter: 294.79

Profile Diagram:


Splicing Diagram:


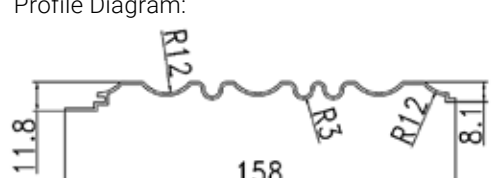



Model:
YX-BLB-090
YX-BLB-11.8*R12*158


Wall Thickness:
1.1mm

Visible Surface: 142

Perimeter: 405.09

Profile Diagram:


Splicing Diagram:


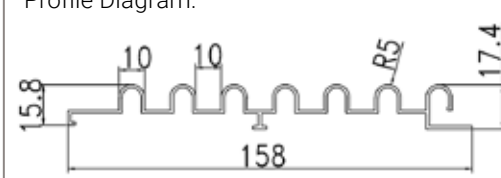


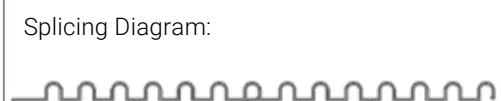
Model:
YX-BLB-094
YX-BLB-17.4*R5*158

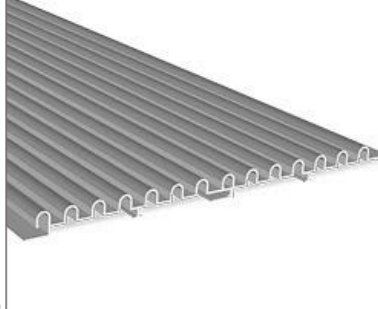
Wall Thickness:
1.2mm

Visible Surface: 141

Perimeter: 602.47

Profile Diagram:


Splicing Diagram:




Aluminum Wall Cladding Systems

<p>Model: YX-BLB-095 YX-BLB-49.7* 80*113</p> <p>Wall Thickness: Uniform Wall Thickness</p> <p>Visible Surface: 100</p> <p>Perimeter: 502.01</p>	<p>Profile Diagram:</p>	
---	-------------------------	--

<p>Model: YX-BLB-099 YX-BLB-26.2*R6*149.2</p> <p>Wall Thickness: 1.3mm</p> <p>Visible Surface: 135</p> <p>Perimeter: 605.57</p>	<p>Profile Diagram:</p>	
---	-------------------------	--

<p>Model: YX-BLB-096 YX-BLB-13.5*33.3*112.9</p> <p>Wall Thickness: 1.0mm</p> <p>Visible Surface: 99</p> <p>Perimeter: 285.43</p>	<p>Profile Diagram:</p>	
--	-------------------------	--

<p>Model: YX-BLB-100 YX-BLB-26.5*30*132.2</p> <p>Wall Thickness: 1.2mm</p> <p>Visible Surface: 120</p> <p>Perimeter: 429.72</p>	<p>Profile Diagram:</p>	
---	-------------------------	--

<p>Model: YX-BLB-097 YX-BLB-27.5*R7.5*135.7</p> <p>Wall Thickness: 1.5mm</p> <p>Visible Surface: 120</p> <p>Perimeter: 506.03</p>	<p>Profile Diagram:</p>	
---	-------------------------	--

<p>Model: YX-BLB-101 YX-BLB-21.1*150*162.2</p> <p>Wall Thickness: 1.3mm</p> <p>Visible Surface: 150</p> <p>Perimeter: 457.82</p>	<p>Profile Diagram:</p>	
--	-------------------------	--

<p>Model: YX-BLB-098 YX-BLB-16.8*20*36.5</p> <p>Wall Thickness: 1.1mm</p> <p>Visible Surface: 25</p> <p>Perimeter: 126.78</p>	<p>Profile Diagram:</p>	
---	-------------------------	--

<p>Model: YX-BLB-102 YX-BLB-26.6*R75*114.4</p> <p>Wall Thickness: 1.2mm</p> <p>Visible Surface: 100</p> <p>Perimeter: 275.1</p>	<p>Profile Diagram:</p>	
---	-------------------------	--

Aluminum Wall Cladding Systems

Model:
YX-BLB-103
YX-BLB-52.2*92*120

Wall Thickness:
1.2mm

Visible Surface: 99

Perimeter: 338.77

Profile Diagram:

Splicing Diagram:

Model:
YX-BLB-107
YX-BLB-63*90*135.4

Wall Thickness:
1.2mm

Visible Surface: 120

Perimeter: 618.77

Profile Diagram:

Splicing Diagram:

Model:
YX-BLB-104
YX-BLB-21*25*119.5

Wall Thickness:
1.1mm

Visible Surface: 99

Perimeter: 395.19

Profile Diagram:

Splicing Diagram:

Model:
YX-BLB-108
YX-BLB-21.5*25*108.8

Wall Thickness:
1.2mm

Visible Surface: 121

Perimeter: 241.8

Profile Diagram:

Splicing Diagram:

Model:
YX-BLB-105
YX-BLB-15*R5*119

Wall Thickness:
1.0mm

Visible Surface: 100

Perimeter: 366.91

Profile Diagram:

Splicing Diagram:

Model:
YX-BLB-109
YX-BLB-41.2*E4*101.19

Wall Thickness:
1.1mm

Visible Surface: 90

Perimeter: 438.06

Profile Diagram:

Splicing Diagram:

Model:
YX-BLB-106
YX-BLB-9.9*R25*88.9

Wall Thickness:
1.0mm

Visible Surface: 70

Perimeter: 220.06

Profile Diagram:

Splicing Diagram:

Model:
YX-BLB-110
YX-BLB-17.7*R11*116.9

Wall Thickness:
1.2mm

Visible Surface: 103

Perimeter: 383.21

Profile Diagram:

Splicing Diagram:

Aluminum Wall Cladding Systems

<p>Model: YX-BLB-111 YX-BLB-57.2*R25*114.5</p> <p>Wall Thickness: 1.2mm</p> <p>Visible Surface: 100</p> <p>Perimeter: 369.24</p>	<p>Profile Diagram:</p>	
--	-------------------------	--

<p>Model: YX-BLB-115 YX-BLB-15*R13.4*138</p> <p>Wall Thickness: 1.1mm</p> <p>Visible Surface: 118</p> <p>Perimeter: 360.02</p>	<p>Profile Diagram:</p>	
--	-------------------------	--

<p>Model: YX-BLB-112 YX-BLB-15.4*R15*105</p> <p>Wall Thickness: 1.0mm</p> <p>Visible Surface: 91</p> <p>Perimeter: 293.49</p>	<p>Profile Diagram:</p>	
---	-------------------------	--

<p>Model: YX-BLB-118 YX-BLB-29.3*R45*81.87</p> <p>Wall Thickness: 1.2mm</p> <p>Visible Surface: 98</p> <p>Perimeter: 367.54</p>	<p>Profile Diagram:</p>	
---	-------------------------	--

<p>Model: YX-BLB-113 YX-BLB-14.93*R14*100</p> <p>Wall Thickness: 1.2mm</p> <p>Visible Surface: 81</p> <p>Perimeter: 253.52</p>	<p>Profile Diagram:</p>	
--	-------------------------	--

<p>Model: YX-BLB-119 YX-BLB-24*R25*114.5</p> <p>Wall Thickness: 1.0mm</p> <p>Visible Surface: 98</p> <p>Perimeter: 325.94</p>	<p>Profile Diagram:</p>	
---	-------------------------	--

<p>Model: YX-BLB-114 YX-BLB-18.8*R12.5*140.7</p> <p>Wall Thickness: 1.2mm</p> <p>Visible Surface: 130</p> <p>Perimeter: 376.93</p>	<p>Profile Diagram:</p>	
--	-------------------------	--

<p>Model: YX-BLB-120 YX-BLB-20.45*R25.65*155.1</p> <p>Wall Thickness: 0.9mm</p> <p>Visible Surface: 140</p> <p>Perimeter: 390.16</p>	<p>Profile Diagram:</p>	
--	-------------------------	--

Aluminum Wall Cladding Systems

<p>Model: YX-BLB-121 YX-BLB-45*R40*93</p> <p>Wall Thickness: 1.2mm</p> <p>Visible Surface: 80</p> <p>Perimeter: 299.81</p>	<p>Profile Diagram:</p> <p>Splicing Diagram:</p>
--	--

<p>Model: YX-BLB-127 YX-BLB-18*R17.45*100</p> <p>Wall Thickness: 1.9mm</p> <p>Visible Surface: 100</p> <p>Perimeter: 325</p>	<p>Profile Diagram:</p> <p>Splicing Diagram:</p>
--	--

<p>Model: YX-CCB-122 YX-CCB-10.3*R3*113</p> <p>Wall Thickness: 1.0mm</p> <p>Visible Surface: 96</p> <p>Perimeter: 372.31</p>	<p>Profile Diagram:</p> <p>Splicing Diagram:</p>
--	--

<p>Model: YX-BLB-000 YX-BLB-#</p> <p>Wall Thickness: mm</p> <p>Visible Surface: *</p> <p>Perimeter: *</p>	
---	--

<p>Model: YX-CCB-123 YX-CCB-28*R57.68*167</p> <p>Wall Thickness: 1.4mm</p> <p>Visible Surface: 155</p> <p>Perimeter: 589</p>	<p>Profile Diagram:</p> <p>Splicing Diagram:</p>
--	--

<p>Model: YX-BLB-130 YX-BLB-20*80*177.5</p> <p>Wall Thickness: 1.4mm</p> <p>Visible Surface: 160</p> <p>Perimeter: 458.93</p>	<p>Profile Diagram:</p> <p>Splicing Diagram:</p>
---	--

<p>Model: YX-BLB-126 YX-BLB-11.4*R2.4*105.5</p> <p>Wall Thickness: 1.2mm</p> <p>Visible Surface: 88</p> <p>Perimeter: 381.8</p>	<p>Profile Diagram:</p> <p>Splicing Diagram:</p>
---	--

<p>Model: YX-BLB-131 YX-BLB-34.4*30*136</p> <p>Wall Thickness: 1.8mm</p> <p>Visible Surface: 120</p> <p>Perimeter: 514.59</p>	<p>Profile Diagram:</p> <p>Splicing Diagram:</p>
---	--

Aluminum Wall Cladding Systems

Item No.	YX-LJ-000	Wall Thickness: 1.8mm	Item No.	YX-CTX-001	Wall Thickness: *mm	Item No.	YX-CDLY-001	Wall Thickness: 1.8mm
Item No.	YX-LW-222	Wall Thickness: 1.2mm	Item No.	YX-LMY-006	Wall Thickness: 2.7mm	Item No.	YX-LMY-007	Wall Thickness: 2.7mm
Item No.	YX-LMY-024	Wall Thickness: 0.85mm	Item No.	YX-LMY-045	Wall Thickness: 1.5mm	Item No.	YX-KBG-001	Wall Thickness: 1.3mm
Item No.	YX-DBG-150	Wall Thickness: 1.5mm	Item No.	YX-LMY-059	Wall Thickness: 1.8mm	Item No.	YX-LMY-060	Wall Thickness: 1.2mm
			Perimeter: 1134 Visible Surface: 208					
Item No.	YX-KBG-002	Wall Thickness: 1.3mm	Item No.		Item No.			








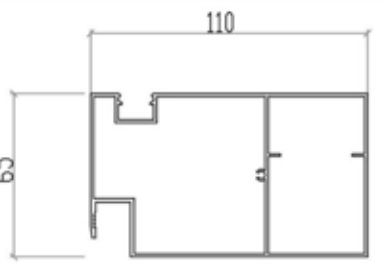
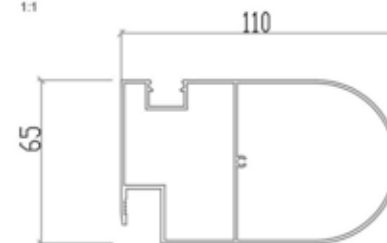

Item No.	YX-LY-064	Wall Thickness: 0.8mm	Item No.	YX-CDLY-002	Wall Thickness: 1.2mm	Item No.	YX-LY-001	Wall Thickness: 1.4mm
Item No.	YX-XDLY-002	Wall Thickness: 0.9mm	Item No.	YX-CDLY-003	Wall Thickness: 1.8mm	Item No.	YX-LY-084	Wall Thickness: 1.1mm
Item No.			Item No.	YX-GD12003	Wall Thickness: 0.8mm	Item No.	YX-LY-091	Wall Thickness: 1.1mm
Item No.	YX-LY-092	Wall Thickness: 1.1mm	Item No.	YX-GD12005	Wall Thickness: 1.8mm	Item No.	YX-LY-094	Wall Thickness: 1.0mm
Item No.	YX-LY-098	Wall Thickness: 1.35mm	Item No.	YX-JLY-010	Wall Thickness: 1.8mm	Item No.	YX-GDLY-094	Wall Thickness: 2.3mm

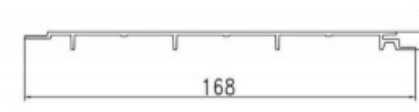
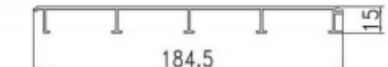
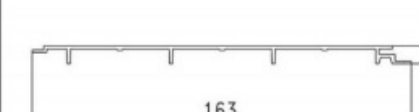
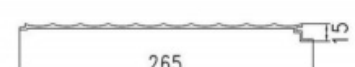
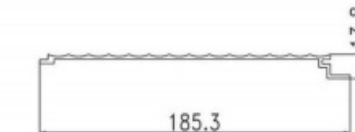
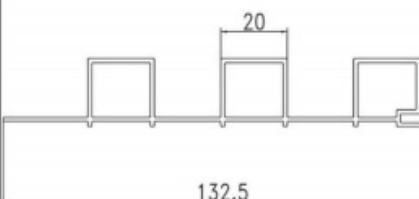
Item No.	YX-CBD-001	Wall Thickness: 1.9mm	Item No.	YX-LGH-401	Wall Thickness: 2.4mm	Item No.	YX-GD12003	Wall Thickness: 0.8mm
Item No.	YX-LY-122	Wall Thickness: 2.85mm	Item No.	YX-CCB-40X40-1.0	Wall Thickness: 1.0mm	Item No.	YX-LY-137	Wall Thickness: 1.85mm
Item No.	YX-8608	Wall Thickness: 1.0mm	Item No.	YX-LY-143	Wall Thickness: 1.2mm	Item No.	YX-GDLY-029	Wall Thickness: 1.0mm
Item No.	YX-JLY-031	Wall Thickness: 1.35mm	Item No.	YX-XMG-727	Wall Thickness: 1.5mm	Item No.	YX-XMG-728	Wall Thickness: 1.5mm
Item No.	YX-LY-165	Wall Thickness: 0.9mm	Item No.	YX-LY-166	Wall Thickness: 1.3mm	Item No.	YX-LY-015	Wall Thickness: 0.8mm

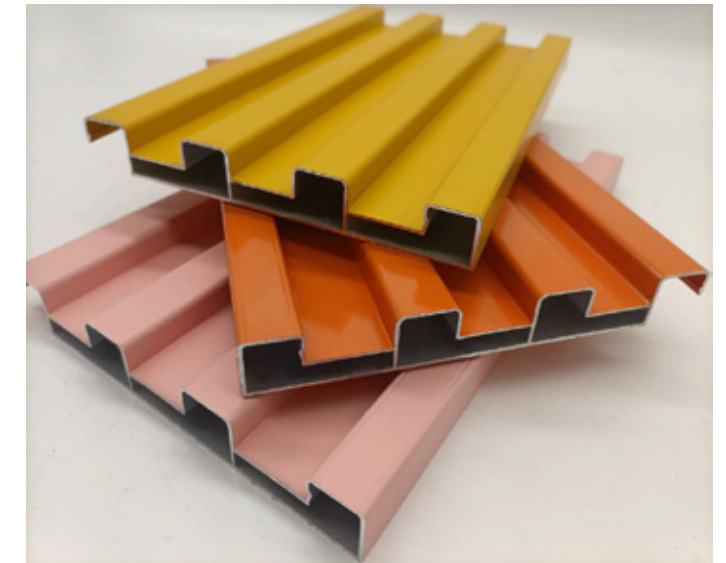
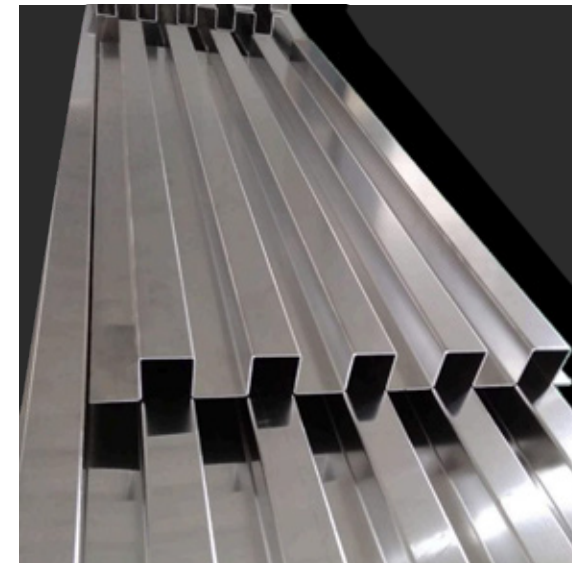


Item No. YX-LY-006 Wall Thickness: 2.7mm	Item No. YX-LY-007 Wall Thickness: 2.7mm	Item No. YX-LY-011 Wall Thickness: 1.35mm
Item No. YX-LY-013 Wall Thickness: 1.0mm	Item No. YX-LY-014 Wall Thickness: 1.7mm	Item No. YX-LY-045 Wall Thickness: 1.5mm
Item No. YX-LY-059 Wall Thickness: 1.8mm	Item No. YX-LY-060 Wall Thickness: 1.2mm	Item No. YX-LY-073 Wall Thickness: 1.4mm
Perimeter: 1134 Visible Surface: 208		
Item No. YX-LY-084 Wall Thickness: 1.1mm		Item No. YX-LY-091 Wall Thickness: 1.1mm
Item No. YX-LY-094 Wall Thickness: 1.0mm	Item No. YX-LY-122 Wall Thickness: 2.85mm	Item No. YX-LY-127 Wall Thickness: 2.4mm

Item No. YX-LY-126 Wall Thickness: 2.4mm	Item No. YX-LY-127 Wall Thickness: 2.4mm	Item No. YX-LY-137 Wall Thickness: 1.85mm
Item No. YX-LY-143 Wall Thickness: 1.2mm	Item No. YX-LY-165 Wall Thickness: 0.9mm	Item No. YX-LY-166 Wall Thickness: 1.3mm
Item No. YX-LY-171 Wall Thickness: 1.2mm	Item No. YX-LY-172 Wall Thickness: 2.0mm	Item No. YX-LY-212 Wall Thickness: 1.8mm
Item No. YX-LY-213 Wall Thickness: 1.8mm	Item No. YX-8608 Wall Thickness: 1.0mm	Item No. YX-GDLY-029 Wall Thickness: 1.0mm
缩小0.5的		
Item No. YX-XDLY-002 Wall Thickness: 0.9mm	Item No. YX-XDLY-003 Wall Thickness: 1.8mm	Item No. YX-GDLY-001 Wall Thickness: 1.8mm

W B F 简图			
			
Item No.	YX-WBF-TFO24	Wall Thickness:	1.0mm
Item No.	YX-WBF-TFO25	Wall Thickness:	0.9mm
			
Item No.	YX-WBF-TFO26	Wall Thickness:	1.0mm
Item No.	YX-WBF-TFO21	Wall Thickness:	2mm
			
Item No.	YX-WBF-TFO20	Wall Thickness:	
Item No.	YX-WBF-TFO21	Wall Thickness:	1.4mm
			
Item No.	YX-WBF-TFO23	Wall Thickness:	0.8mm
Item No.	YX-WBF-TFO27	Wall Thickness:	1.2mm
			
Item No.	YX-WBF-TFO28	Wall Thickness:	1.2mm
Item No.	YX-WBF-TFO29	Wall Thickness:	

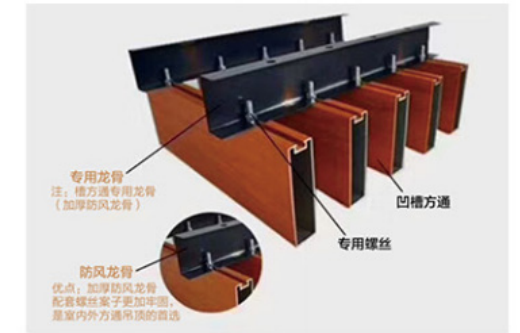
Item No.	YX-KBG-002	Wall Thickness:		Item No.	YX-DBG-180	Wall Thickness:		Item No.	YX-KBG-001	Wall Thickness:	
											
Item No.	YX-LJ-000	Wall Thickness:	1.8mm	Item No.	YX-CTX-001	Wall Thickness:		Item No.	YX-LW-222	Wall Thickness:	1.2mm
											





ENGINEERING
case

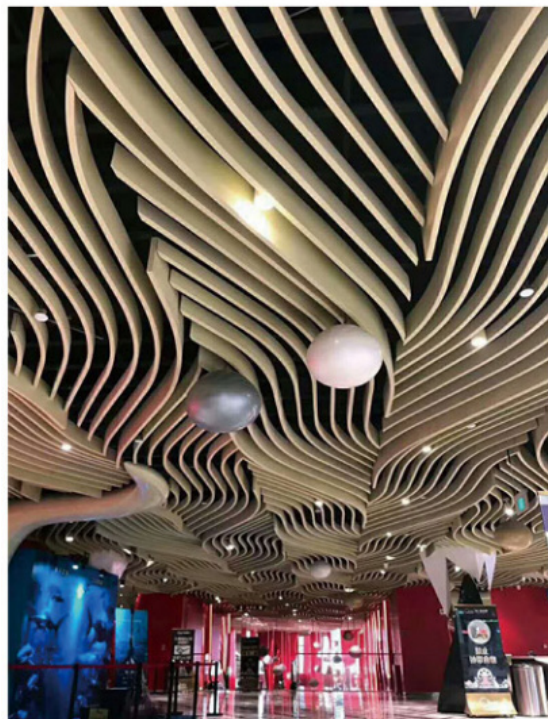
CEILING TUBE
Square Tube Series





CEILING TUBE

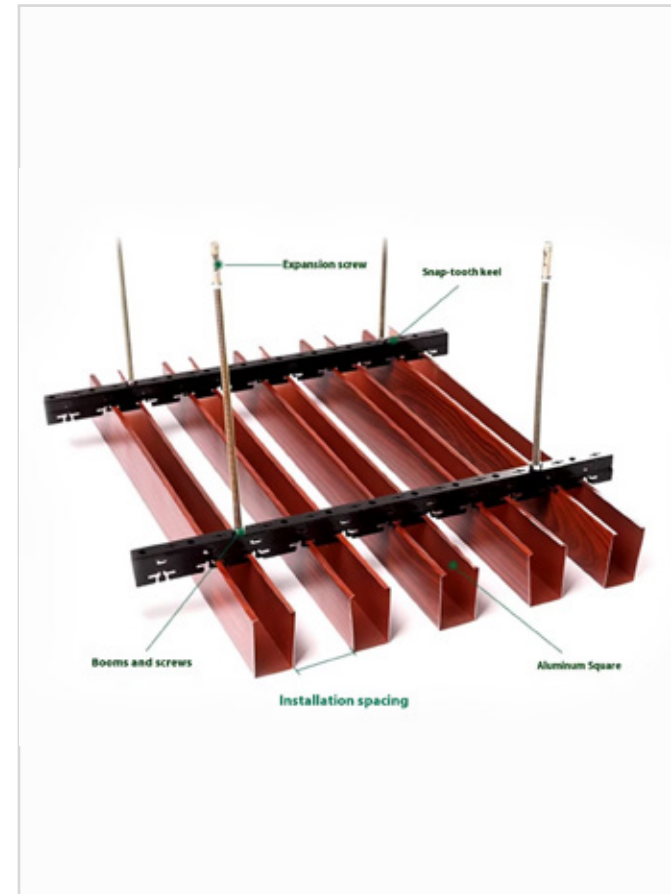
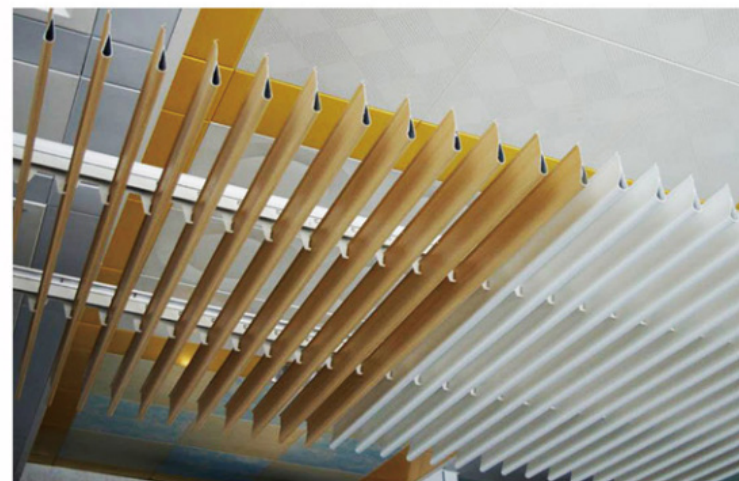
Square Tube Series



ENGINEERING case

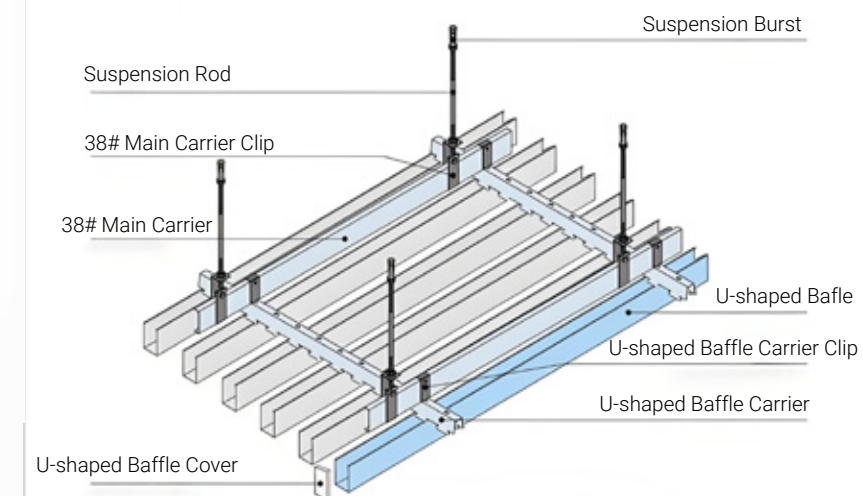
Ceiling suspension, also known as traditional ceiling plastering or ceiling, is an important sub-item of architectural decoration engineering. It provides thermal insulation, heat insulation, sound insulation, remedies inherent defects of the building, enhances spatial layering, facilitates additional lighting, enables easy cleaning, and achieves sound absorption. It also serves as a concealment layer for engineering such as electrical, hvac, communication, fire protection, and alarm piping and equipment. In the past, straw mats, reed mats, wooden planks and other materials were mainly used in traditional dwellings; with the advancement of technology, more modern building materials have been applied.

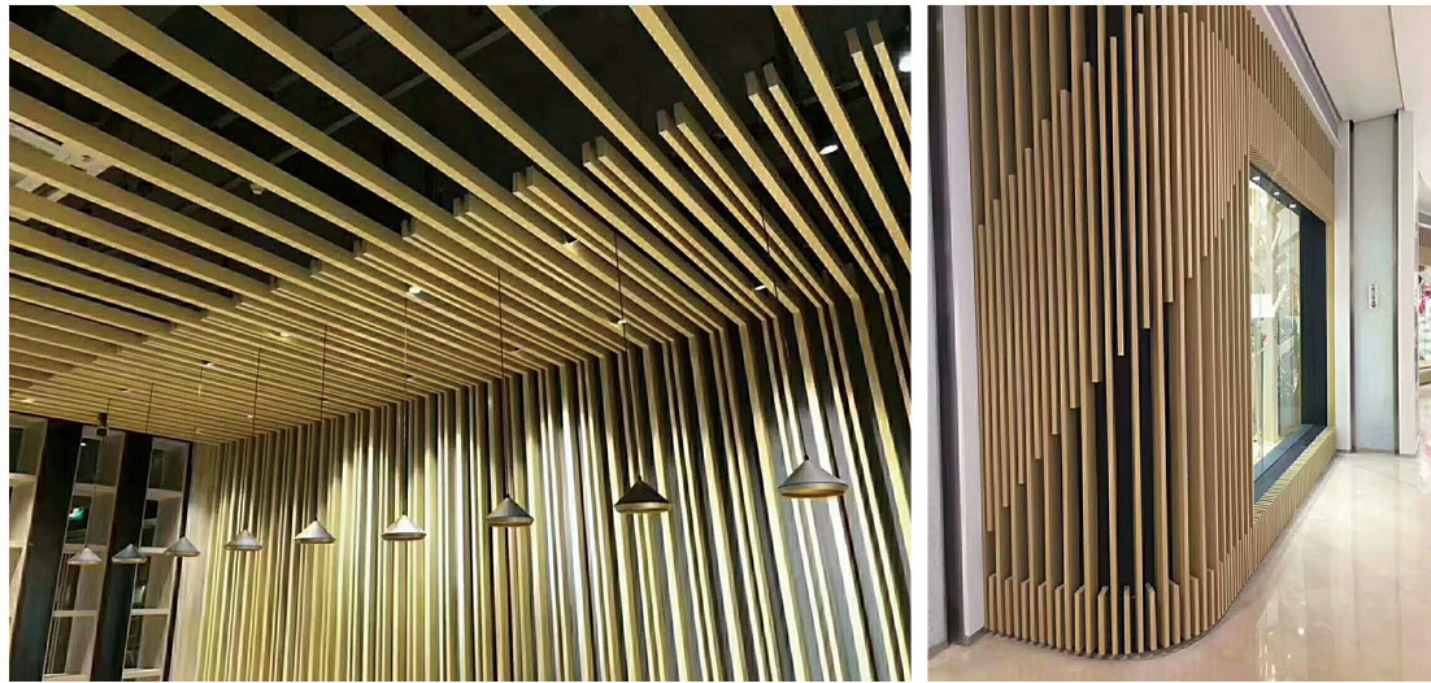




ENGINEERING case

U-shaped Baffle ceiling Installation Diagram





ENGINEERING

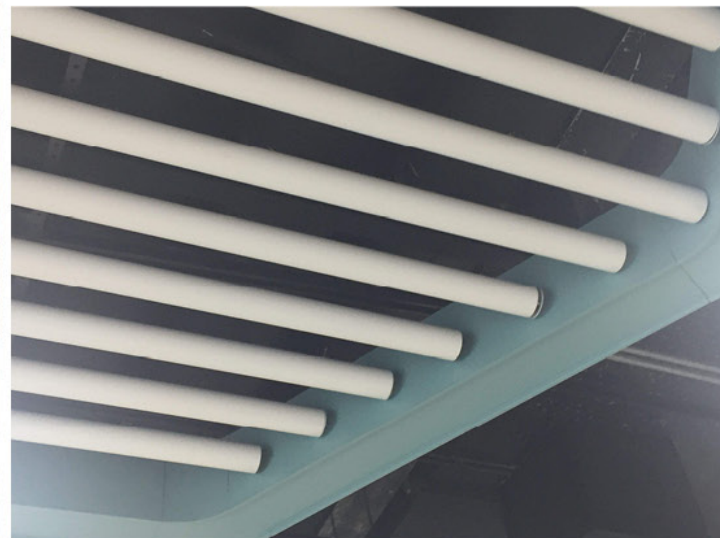
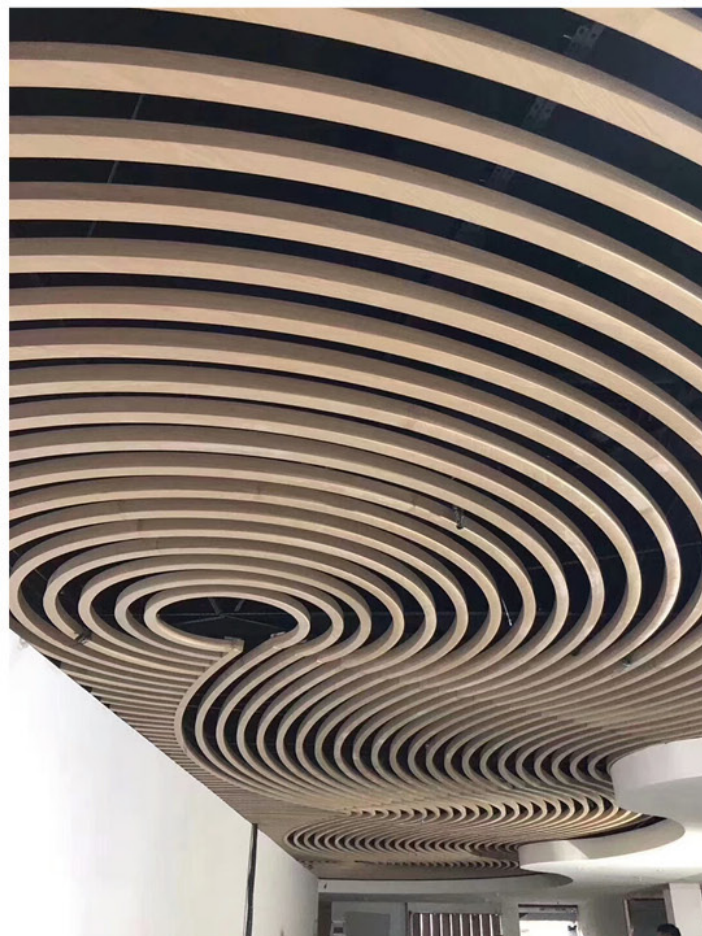
case

Product Features

- 1.Space division: the suspended ceiling creates different floor heights for two connected spaces, thus separating them into distinct areas.
- 2.Pipeline hiding & lighting customization: Conceals various pipelines, reserves lamp installation positions, and enhances indoor aesthetics .
- 3.Decorative enhancement: Enriches the top surface shape and reflects a unique decorative style.
- 4.Thermal insulation: Blocks heat and reduces humidity in summer; acts as an insulation layer in winter.
- 5.Easy cleaning: Suitable for kitchens, bathrooms and other areas, and easy to clean.

Product Categories:

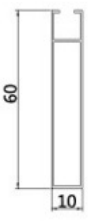
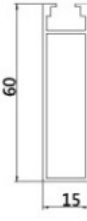
- Rectangular Tube Ceilings
- Circular Tube Ceilings
- Bullet-Shape Ceilings
- U-Shape Ceilings


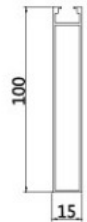
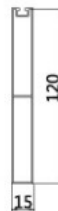
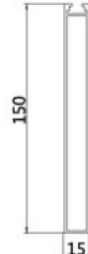


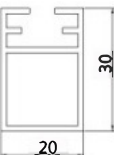
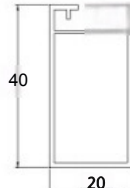
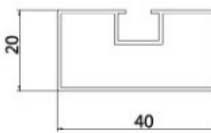

Optional color

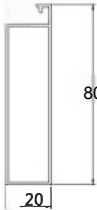
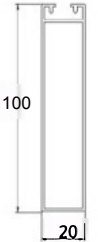
可选颜色


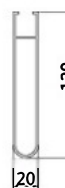




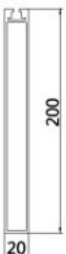
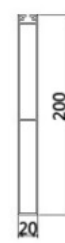

<p>10 Series</p>  <p>Model: CS60×10 Thickness: 0.7mm</p>	 <p>Model: CS60×15 Thickness: 1.05mm</p>		
---	---	--	--

<p>15 Series</p>  <p>Model: CS30×15 Thickness: 1.0mm</p>	 <p>Model: CS100×15 Thickness: 0.8mm</p>	 <p>Model: CS120×15 Thickness: 1.6mm</p>	 <p>Model: CS150×15 Thickness: 1.5mm</p>
---	---	---	---

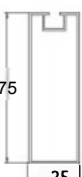
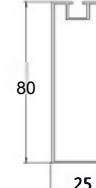

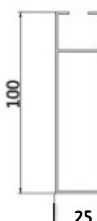
<p>20 Series</p>  <p>Model: CS30×20 Thickness: 1.2mm</p>	 <p>Model: CS40×20 Thickness: 0.7 0.8 0.9 1.3mm</p>	 <p>Model: CS20×40 Thickness: 0.8 0.95mm</p>	 <p>Model: CS50×20 Thickness: 0.7 0.9 1.2mm</p>
--	---	---	---

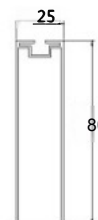



 <p>Model: CS60×20 Thickness: 0.8 1.0 1.2mm</p>	 <p>Model: CS75×20 Thickness: 1.2mm</p>	 <p>Model: CS80×20 Thickness: 0.8 1.0 1.2mm</p>	 <p>Model: CS100×20 Thickness: 0.8 0.9 1.0 1.2 1.4mm</p>
--	--	--	---

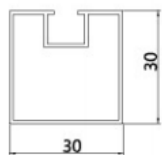
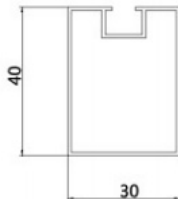


 <p>Model: CS120×20 Thickness: 1.0 1.2 1.3 2.0mm</p>	 <p>Model: CS120×20A Thickness: 1.0mm</p>	 <p>Model: CS150×20 Thickness: 1.2 1.4 1.5mm</p>	 <p>Model: CS180×20 Thickness: 1.6mm</p>
---	--	---	---

 <p>Model: CS200×20 Thickness: 2.0mm</p>	 <p>Model: CS200×20A Thickness: 1.5mm</p>	 <p>Model: CS250×20 Thickness: 2.2mm</p>	
---	--	---	--

<p>25 Series</p>  <p>Model: CS50×25 Thickness: 0.7 0.8 1.0 1.1 1.2 1.4mm</p>	 <p>Model: CS50×25A Thickness: 1.0mm</p>	 <p>Model: CS60×25 Thickness: 0.4 1.0 1.2mm</p>	 <p>Model: CS70×25 Thickness: 0.7 0.8 0.9 1.2mm</p>
---	---	--	--

 <p>Model: CS75×25 Thickness: 0.8 0.9 1.0 1.2mm</p>	 <p>Model: CS80×25 Thickness: 0.8 0.9 1.0 1.1 1.2 1.4mm</p>	 <p>Model: CS100×25 Thickness: 0.8 0.9 1.0 1.2 1.5 1.8 2.0mm</p>	 <p>Model: CS100×25A Thickness: 1.0 1.2mm</p>
---	---	--	---

 <p>Model: CS100×25 Thickness: 1.0mm</p>	 <p>Model: CS120×25 Thickness: 1.1 1.2 1.4 1.5 1.8mm</p>	 <p>Model: CS150×25 Thickness: 1.25 1.1 1.73mm</p>	 <p>Model: CS200×25 Thickness: 1.6 1.8mm</p>
---	---	---	---

<p>30 Series</p>  <p>Model: CS30×30 Thickness: 0.8 1.0 1.5mm</p>	 <p>Thickness: 0.6 0.7 0.8 1.0 1.2 1.4mm</p>	 <p>Model: CS50×30 Thickness: 0.7 0.8 1.0 1.2 1.4mm</p>	 <p>Model: CS60×30 Thickness: 0.7 0.8 0.9 1.0 1.2 1.5mm</p>
---	---	--	--

Model: CS60x30 Thickness: 0.8mm	Model: CS70x30 Thickness: 0.8 0.9 1.0 1.2 1.4mm	Model: CS80x30 Thickness: 0.7 0.8 1.0 1.2 1.4 1.8mm	Model: CS90x30 Thickness: 0.8 0.9 1.5mm

Model: CS100x30 Thickness: 0.7 0.8 0.9 1.0 1.1 1.2 1.4 1.9 2.0 2.4mm	Model: CS300x10A Thickness: 1.2mm	Model: CS100x30B Thickness: 1.0 1.2mm	Model: CS100x30C Thickness: 1.0mm

Model: CS120x30 Thickness: 1.0 1.2 1.5 1.8mm	Model: CS150x30 Thickness: 1.0 .14 .15 .18 1.9 2.5mm	Model: CS200x30 Thickness: 1.6mm	

35 Series 			
Model: CS80x35 Thickness: 1.2mm	Model: CS85.5x35 Thickness: 1.2mm	Model: CS100x35 Thickness: 0.8 1.0 1.2mm	

40 Series 			
Model: CS30x40 Thickness: 0.8 1.0 1.2mm	Model: CS40x40 Thickness: 0.7 0.8 0.9 1.0 1.2 1.5mm	Model: CS40x50 Thickness: 0.8 1.0 1.2mm	Model: CS40x60 Thickness: 0.9mm

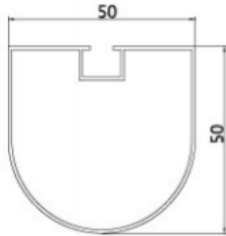
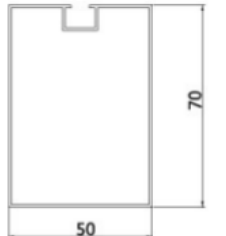
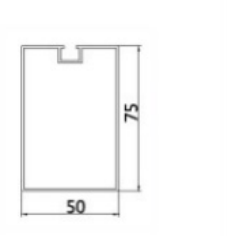

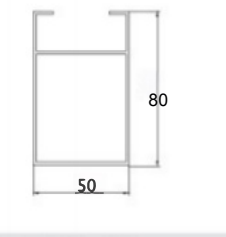
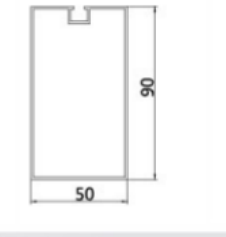
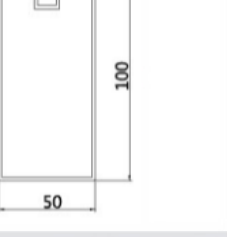
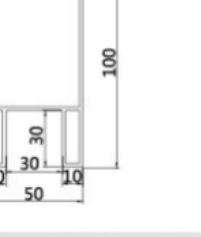
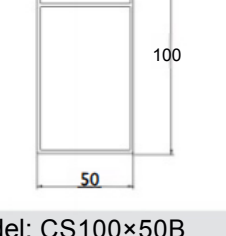
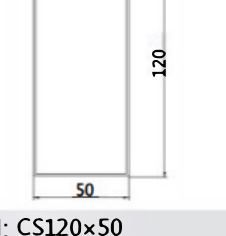
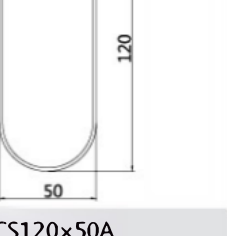
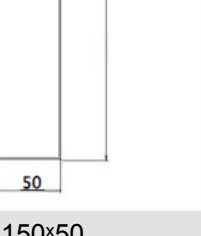
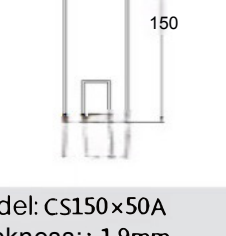
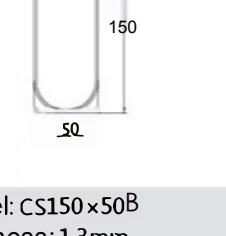
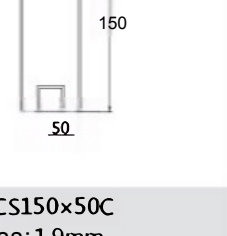
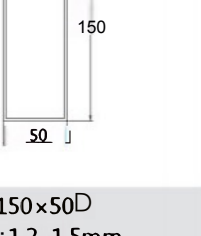
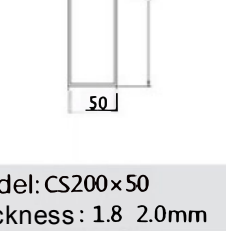
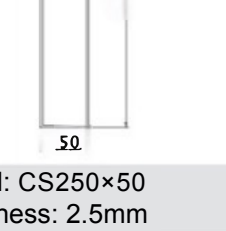
Model: CS50x40 Thickness: 0.7 0.9 1.0 1.2 1.4mm	Model: CS60x40 Thickness: 0.8 1.0 1.2 1.3 1.8mm	Model: CS70x40 Thickness: 0.8 0.9 1.0 1.2 1.4mm	Model: CS80x40 Thickness: 0.7 0.8 1.0 1.4 1.8mm

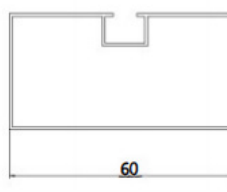
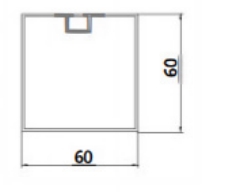
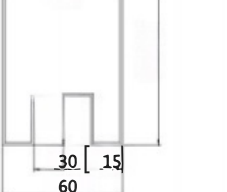
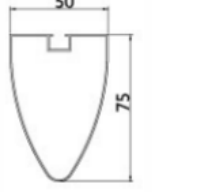
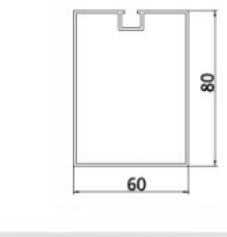
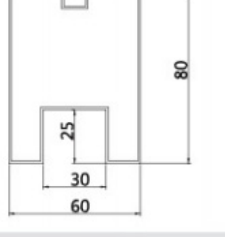
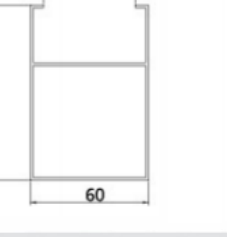
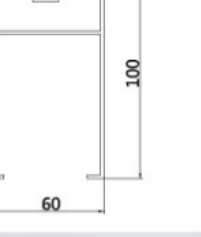
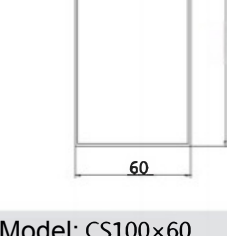
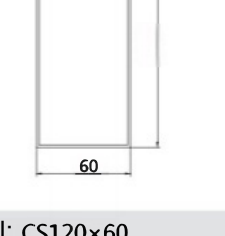
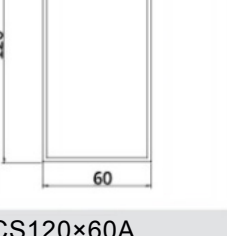
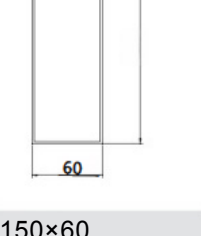
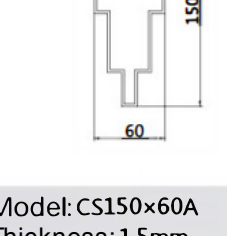
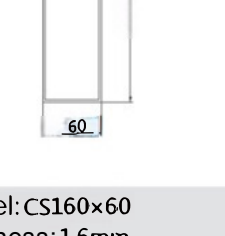
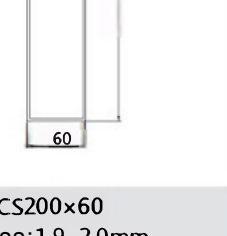
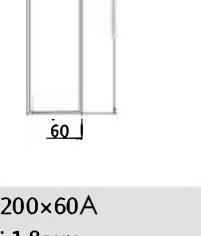
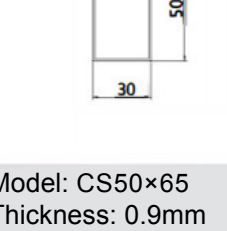
Model: CS80x40A Thickness: 1.2mm	Model: CS90x40 Thickness: 0.8 0.9 1.0 1.2 1.4 1.8mm	Model: CS100x40 Thickness: 0.8 0.9 1.0 1.1 1.2 1.4 1.8 2.0mm	Model: CS40x100A Thickness: 1.0 1.2mm

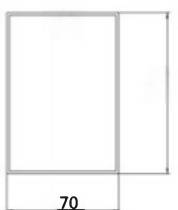
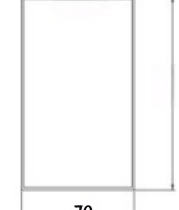

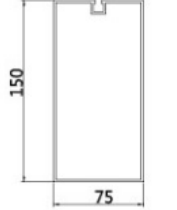
Model: CS120x40 Thickness: 1.0 1.1 1.2 1.4 1.8 2.0mm	Model: CS120x40A Thickness: 1.1mm	Model: CS150x40 Thickness: 1.2 1.5 1.4 1.8 2.0mm	Model: CS175x40 Thickness: 2.0mm

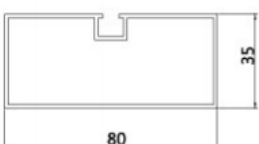
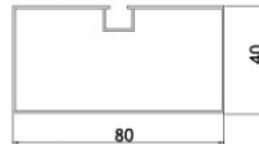


Model: CS200x40 Thickness: 1.8 2.0mm			

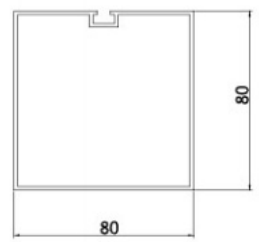
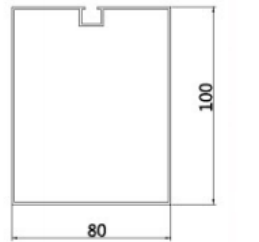
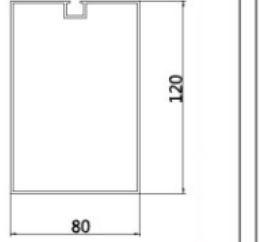
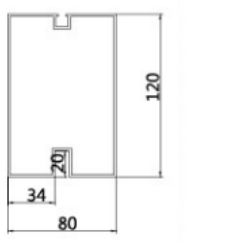
50 Series 			
Model: CS30x45 Thickness: 1.5mm	Model: CS30x50 Thickness: 0.8 1.0 1.2 1.4mm	Model: CS45x500 Thickness: 1.5mm	Model: CS50x50 Thickness: 0.6 0.7 0.8 0.9 1.0 1.1 1.2 1.4 1.8 2.0 2.4mm

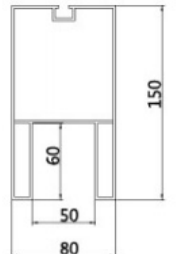
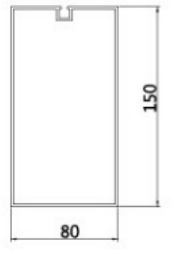
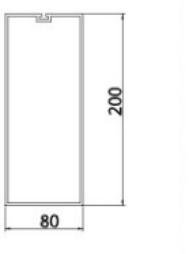
 Model: CS50x50A Thickness: 0.9mm	 Model: CS70x50 Thickness: 0.8 0.9 1.0 1.2 1.4mm	 Model: CS75x50 Thickness: 1.0mm	 Model: CS75x50 Thickness: 0.7 0.8 1.0 1.1 1.4 1.5 1.8 2.0mm
 Model: CS80x50A Thickness: 1.0mm	 Model: CS90x50 Thickness: 0.8 0.9 1.0 1.2 1.4 1.8 2.0mm	 Model: CS100x50 Thickness: 0.8 0.9 1.0 1.2 1.4 1.5 1.8 2.0 2.4mm	 Model: CS100x50A Thickness: 1.9mm
 Model: CS100x50B Thickness: 1.0 1.2 1.5mm	 Model: CS120x50 Thickness: 1.0 1.2 1.3 1.5 1.8 2.0 2.4mm	 Model: CS120x50A Thickness: 1.2mm	 Model: CS150x50 Thickness: 1.0 1.1 1.2 1.4 1.8 1.9 2.4 2.5mm
 Model: CS150x50A Thickness: 1.9mm	 Model: CS150x50B Thickness: 1.3mm	 Model: CS150x50C Thickness: 1.9mm	 Model: CS150x50D Thickness: 1.2 1.5mm
 Model: CS200x50 Thickness: 1.8 2.0mm	 Model: CS250x50 Thickness: 2.5mm		

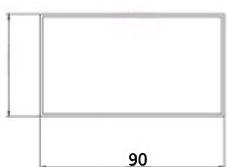
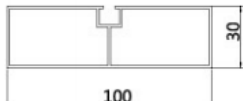
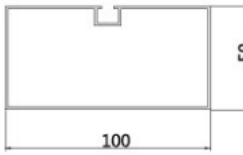
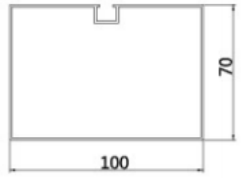
60 Series  Model: CS30x60 Thickness: 0.8 1.0 1.2mm	 Model: CS60x60 Thickness: 0.9 1.0 1.2 1.4 1.8mm	 Model: CS76.511x60 Thickness: 1.2mm	 Model: CS75x50 Thickness: 0.8 0.9mm
 Model: CS80x60 Thickness: 1.0 1.2 1.3 1.8mm	 Model: CS80x60A Thickness: 1.2mm	 Model: CS90x60 Thickness: 1.2mm	 Model: CS100x60 Thickness: 1.2mm
 Model: CS100x60 Thickness: 1.0 1.1 1.4 1.8 2.0 2.4mm	 Model: CS120x60 Thickness: 1.2 1.5 1.8 2.0 2.4mm	 Model: CS120x60A Thickness: 1.8mm	 Model: CS150x60 Thickness: 1.5 1.6 1.8 2.0mm
 Model: CS150x60A Thickness: 1.5mm	 Model: CS160x60 Thickness: 1.6mm	 Model: CS200x60 Thickness: 1.9 2.0mm	 Model: CS200x60A Thickness: 1.8mm
 Model: CS50x65 Thickness: 0.9mm			

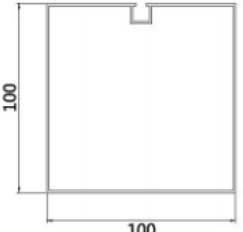
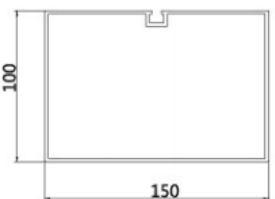
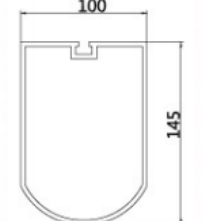
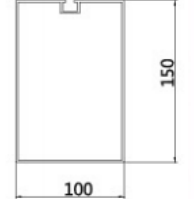
<p>70-75 Series</p>  <p>Model: CS100×70 Thickness: 1.1mm</p>	 <p>Model: CS120×70 Thickness: 1.2mm</p>	 <p>Model: CS100×75 Thickness: 1.1 1.2mm</p>	 <p>Model: CS150×75 Thickness: 1.8mm</p>
---	---	--	---

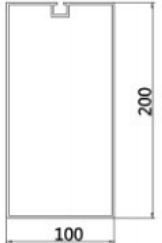
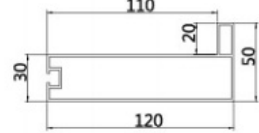
<p>80 Series</p>  <p>Model: CS35×80 Thickness: 1.2mm</p>	 <p>Model: CS40×80 Thickness: 0.8 1.0 1.2mm</p>	 <p>Model: CS50×80 Thickness: 0.8 1.0 1.2mm</p>	 <p>Model: CS60×80 Thickness: 0.9 1.0 1.2 1.4mm</p>
---	--	---	--

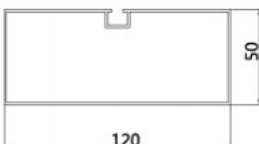
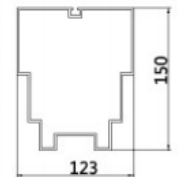
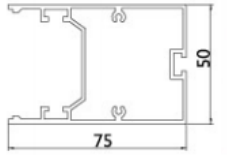
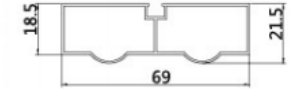
 <p>Model: CS80×80 Thickness: 1.0 1.2 1.3 1.8 2.0mm</p>	 <p>Model: CS100×80 Thickness: 1.1 1.4 1.5 1.8 2.0mm</p>	 <p>Model: CS120×80 Thickness: 1.3 1.4 1.8 2.0mm</p>	 <p>Model: CS120×80A Thickness: 1.3mm</p>
---	--	---	---

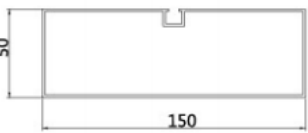
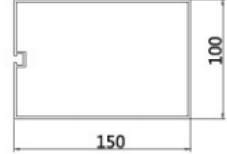

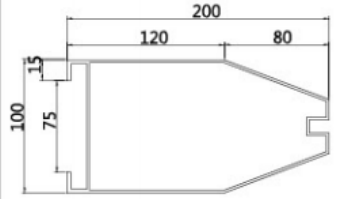
 <p>Model: CS150×80 Thickness: 1.9mm</p>	 <p>Model: CS150×80 Thickness: 1.5 1.9mm</p>	 <p>Model: CS200×80 Thickness: 2.0mm</p>	
---	---	--	--

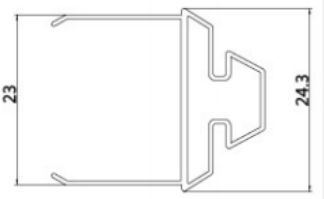
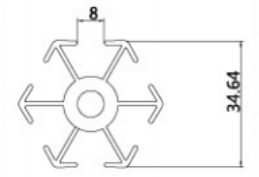
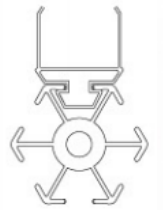
<p>100 Series</p>  <p>Model: CS50×90 Thickness: 1.0 1.2mm</p>	 <p>Model: CS30×100 Thickness: 0.9 1.0mm</p>	 <p>Model: CS50×100 Thickness: 1.0 1.2 1.5 1.8mm</p>	 <p>Model: CS70×100 Thickness: 1.1mm</p>
--	---	--	---

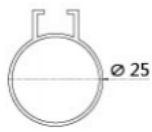


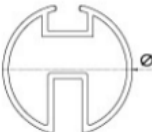
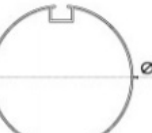




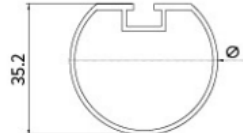


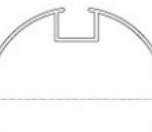
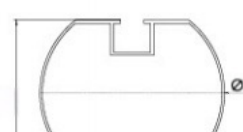






 <p>Model: CS100×100 Thickness: 1.2 1.5 1.8 2.0mm</p>	 <p>Model: CS100×150 Thickness: 1.9mm</p>	 <p>Model: CS145×100 Thickness: 3.0mm</p>	 <p>Model: CS150×100 Thickness: 1.9mm</p>
--	--	--	--





 <p>Model: CS200×100 Thickness: 2.2mm</p>	 <p>Model: CS30×120 Thickness: 1.2mm</p>		
--	---	--	--

<p>120 Series</p>  <p>Model: CS50×120 Thickness: 1.2 1.4mm</p>	 <p>Model: CS150×123 Thickness: 1.8mm</p>	 <p>Model: CS50×75 Thickness: 1.2 1.8mm</p>	 <p>Model: CS21.5×69 Thickness: 0.6mm</p>
--	---	---	--

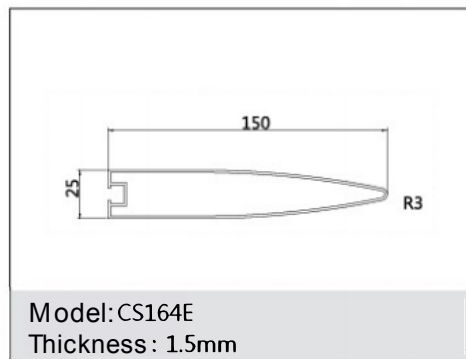
<p>150 Series</p>  <p>Model: CS50×150 Thickness: 1.3 1.8mm</p>	 <p>Model: CS100×150 Thickness: 1.8 2.0mm</p>	 <p>Model: CS100×200 Thickness: 3.0mm</p>	 <p>Model: CS100×200A Thickness: 2.0mm</p>
---	--	--	---

<p>Six-Sided Frame Series</p>  <p>Model: CS24.3×28 Thickness: 0.6mm</p>	 <p>Model: CS34.64×34.64 Thickness: 1.2mm</p>	 <p>Model: Assembly Drawing Thickness: mm</p>	
--	--	--	--

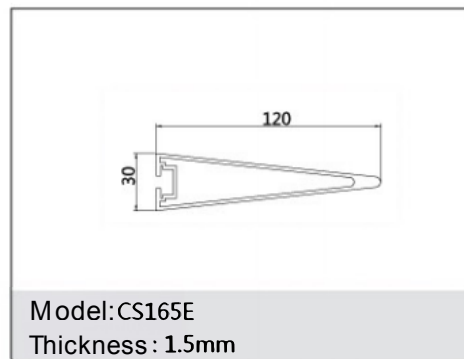
 Model: CS140E Thickness: 0.8mm	1:1  Model: CS141E Thickness: 0.7 0.9 1.0mm	 Model: CS142E Thickness: 0.7mm	 Model: CS143E Thickness: 1.5mm
 Model: CS144E Thickness: 1.0mm	 Model: CS145E Thickness: 0.7mm	 Model: CS146E Thickness: 0.7 0.8 0.9 1.2mm	 Model: CS147E Thickness: 1.2mm
 Model: CS148E Thickness: 0.7mm	 Model: CS149E Thickness: 1.1mm	 Model: CS150E Thickness: 1.0mm	 Model: CS151E Thickness: 0.7 0.8 0.9 1.0 1.2 1.4mm
 Model: CS152E Thickness: 0.7 0.8 0.9 1.1 1.2 1.4mm	 Model: CS153E Thickness: 0.8mm	 Model: CS154E Thickness: 0.8 0.9 1.0 1.2 1.4mm	 Model: CS155E Thickness: 0.8 1.0 1.2mm
 Model: CS156E Thickness: 0.8mm	 Model: CS157E Thickness: 1.0 1.2mm	 Model: CS158E Thickness: 1.2mm	 Model: CS159E Thickness: 0.85 1.0 1.2 1.4mm

 Model: CS160E Thickness: 0.9 1.0 1.2 1.4mm	 Model: CS161E Thickness: 0.95 1.2mm	 Model: CS162E Thickness: 1.2 1.4mm	 Model: CS163E Thickness: 1.8mm
--	---	--	--

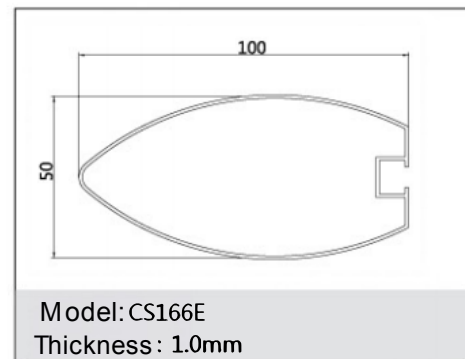




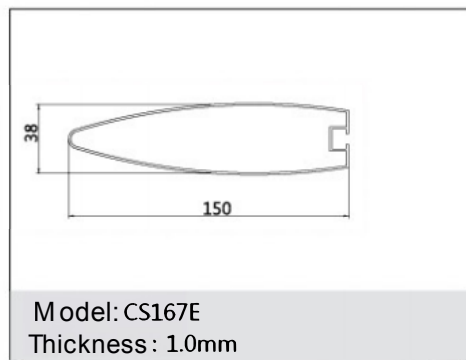
Model: CS164E
Thickness: 1.5mm



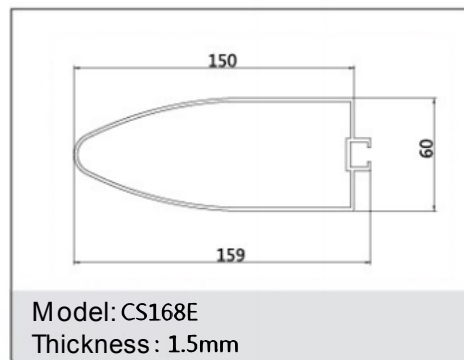
Model: CS165E
Thickness: 1.5mm



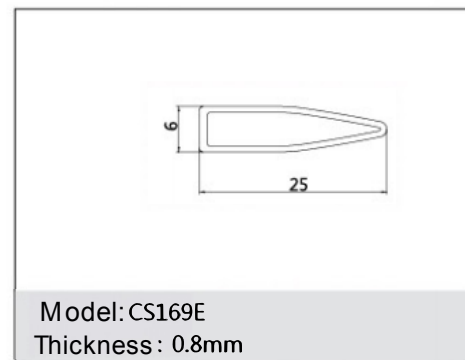
Model: CS166E
Thickness: 1.0mm



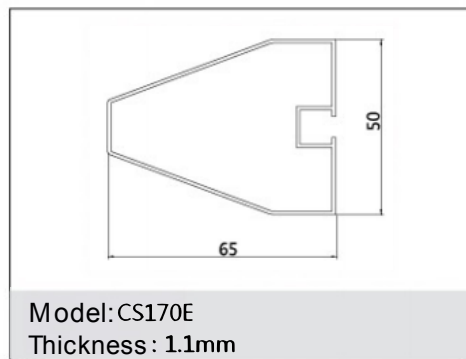
Model: CS167E
Thickness: 1.0mm



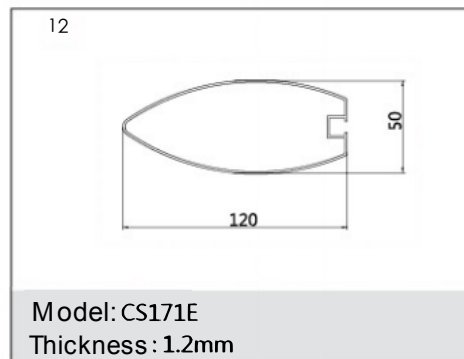
Model: CS168E
Thickness: 1.5mm



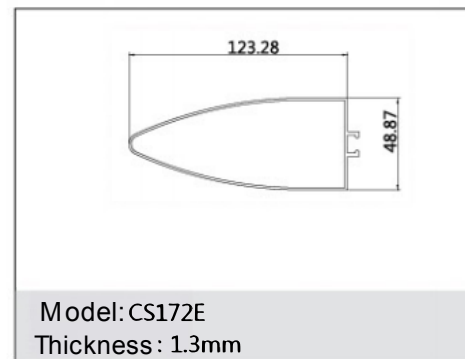
Model: CS169E
Thickness: 0.8mm



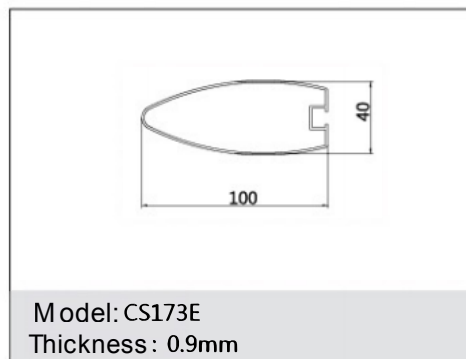
Model: CS170E
Thickness: 1.1mm



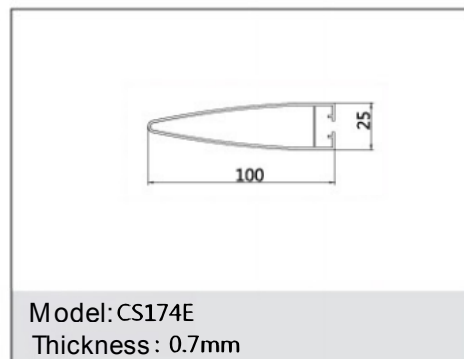
Model: CS171E
Thickness: 1.2mm



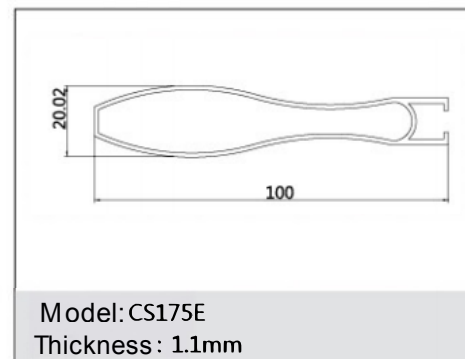
Model: CS172E
Thickness: 1.3mm



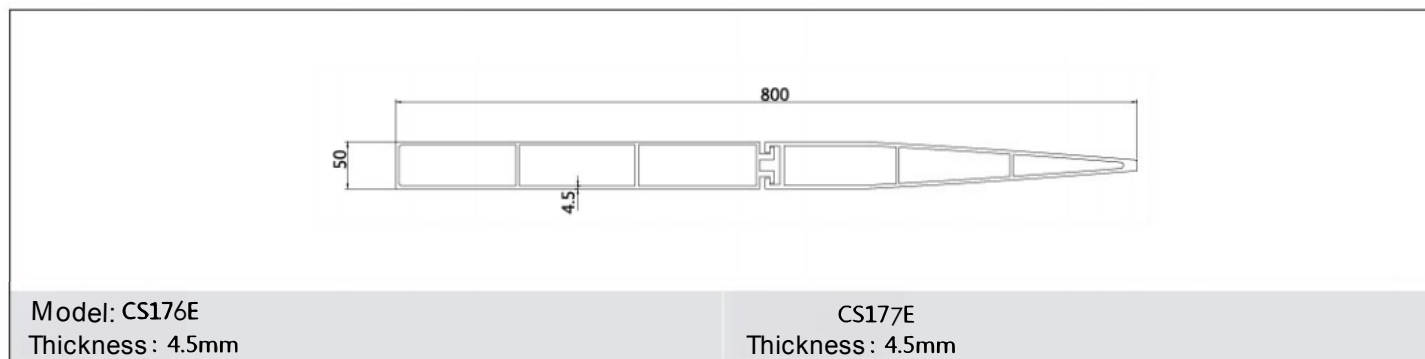
Model: CS173E
Thickness: 0.9mm



Model: CS174E
Thickness: 0.7mm

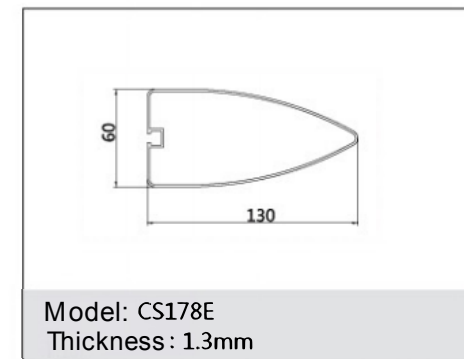


Model: CS175E
Thickness: 1.1mm

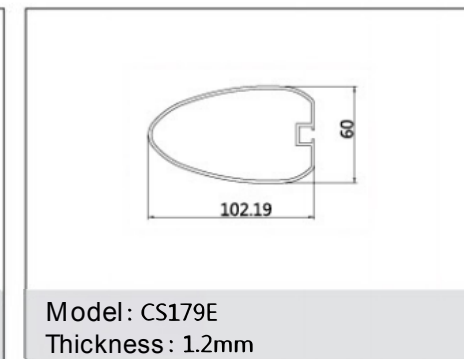


Model: CS176E
Thickness: 4.5mm

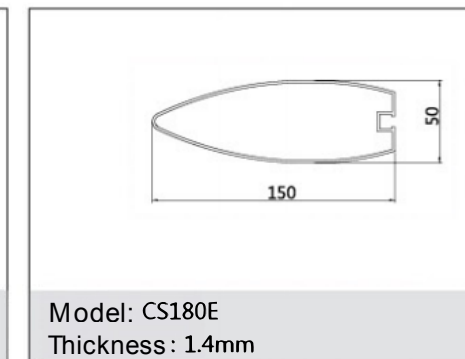
CS177E
Thickness: 4.5mm



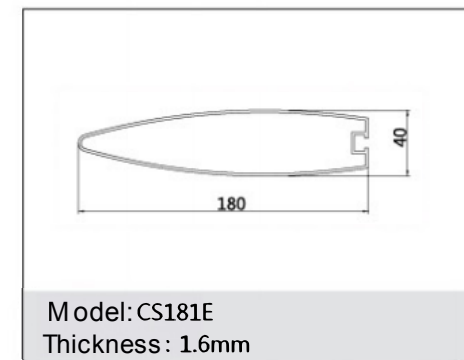
Model: CS178E
Thickness: 1.3mm



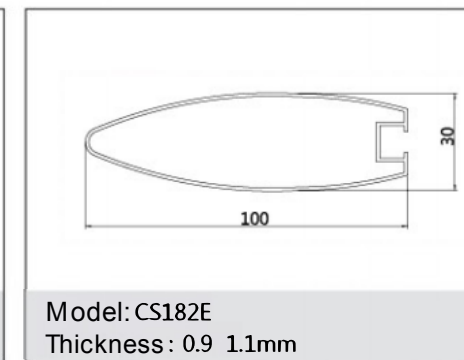
Model: CS179E
Thickness: 1.2mm



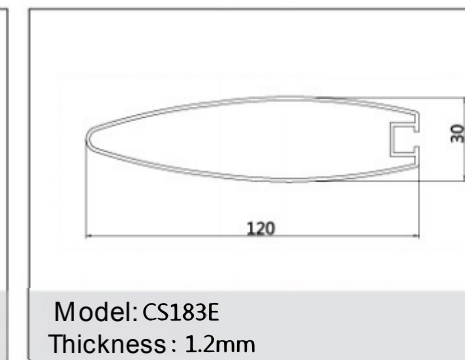
Model: CS180E
Thickness: 1.4mm



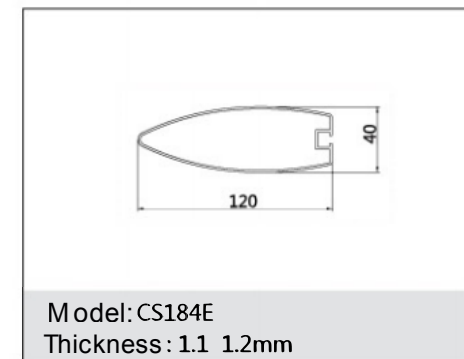
Model: CS181E
Thickness: 1.6mm



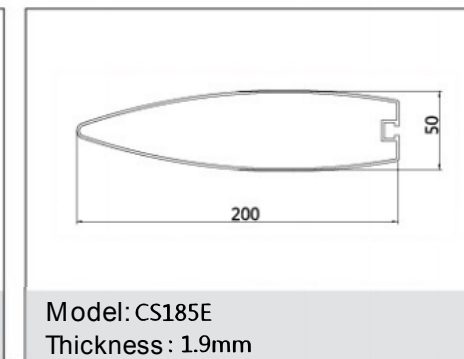
Model: CS182E
Thickness: 0.9 1.1mm



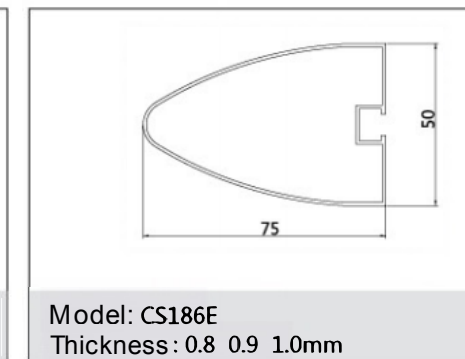
Model: CS183E
Thickness: 1.2mm



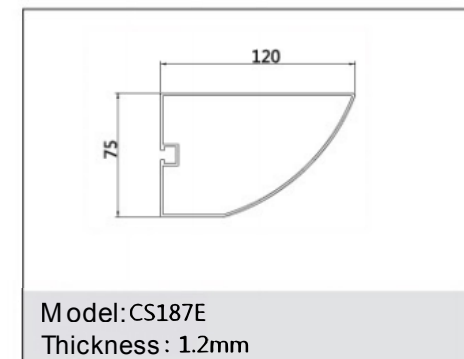
Model: CS184E
Thickness: 1.1 1.2mm



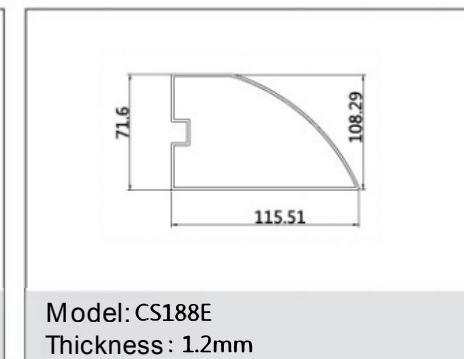
Model: CS185E
Thickness: 1.9mm



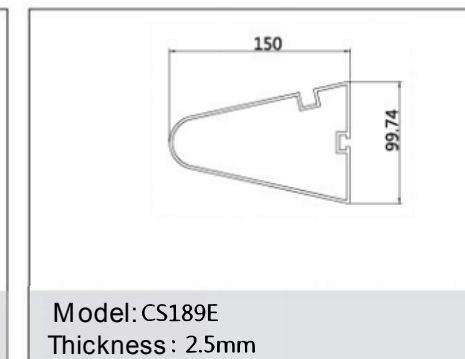
Model: CS186E
Thickness: 0.8 0.9 1.0mm



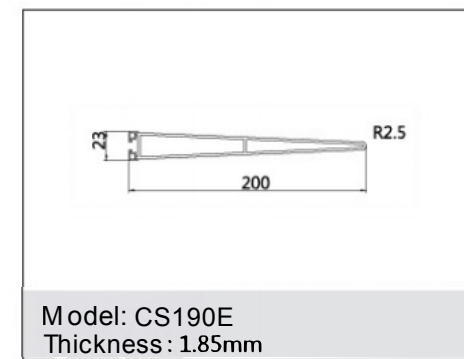
Model: CS187E
Thickness: 1.2mm



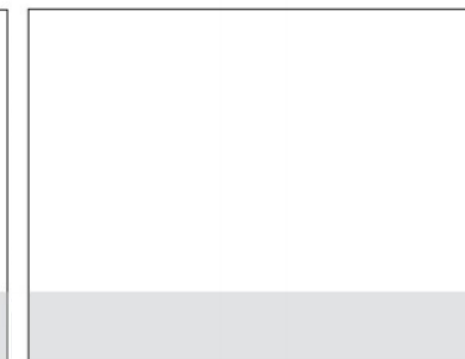
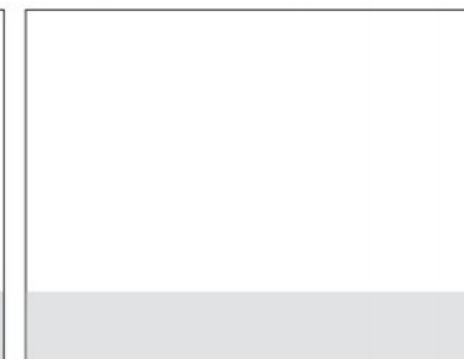
Model: CS188E
Thickness: 1.2mm

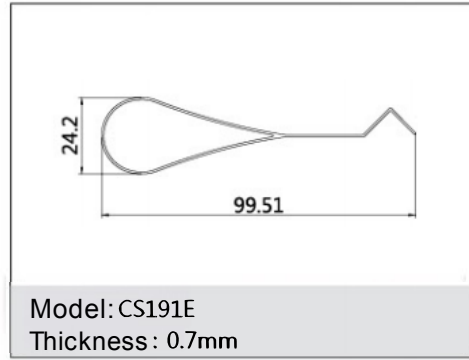


Model: CS189E
Thickness: 2.5mm

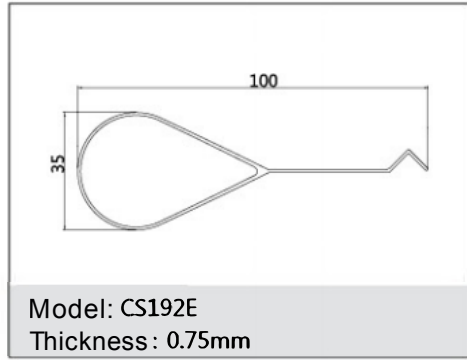


Model: CS190E
Thickness: 1.85mm

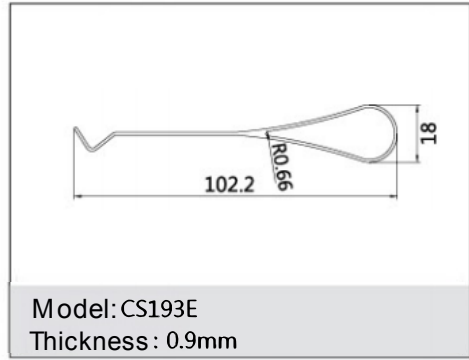




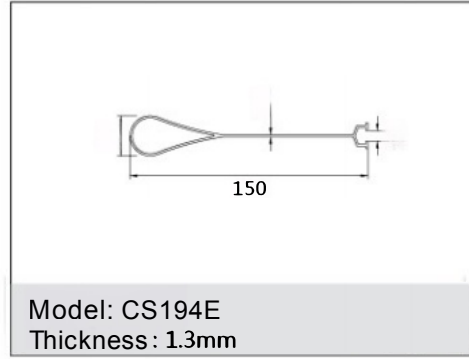
Model: CS191E
Thickness: 0.7mm



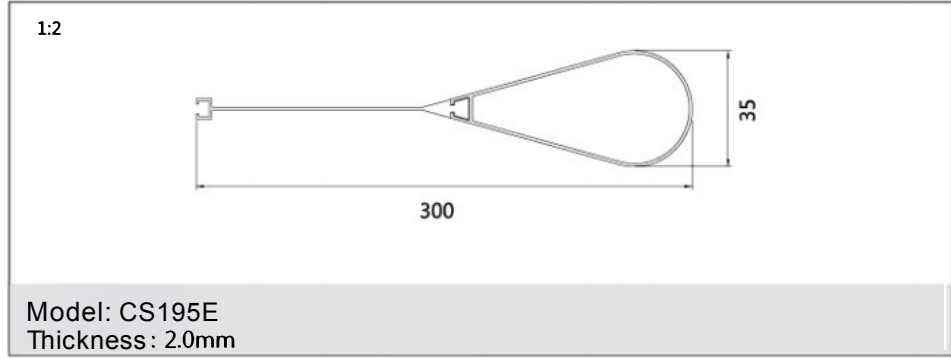
Model: CS192E
Thickness: 0.75mm



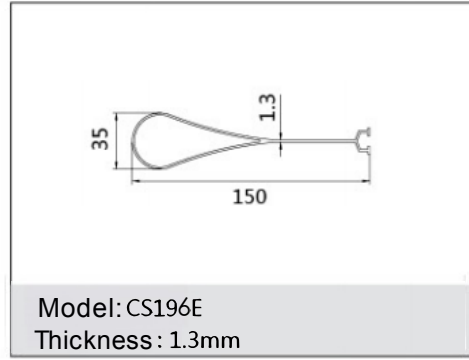
Model: CS193E
Thickness: 0.9mm



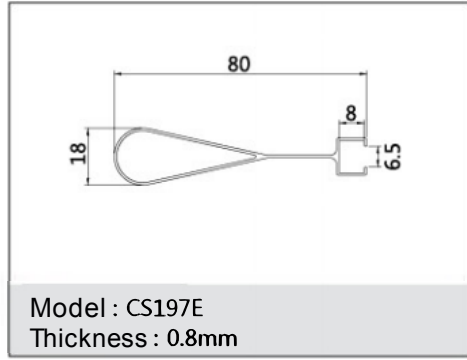
Model: CS194E
Thickness: 1.3mm



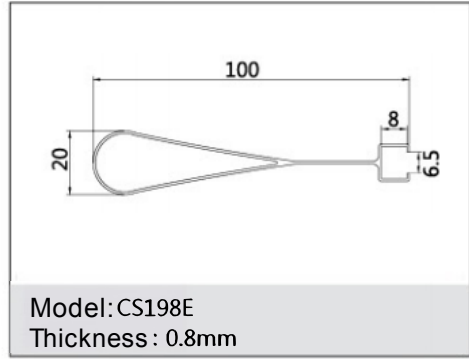
Model: CS195E
Thickness: 2.0mm



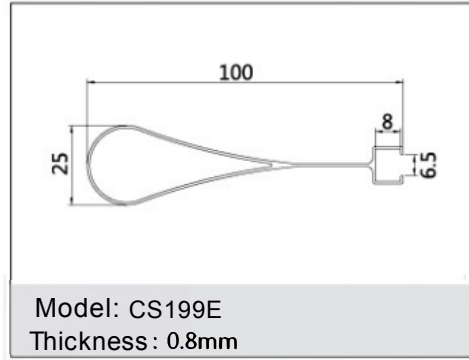
Model: CS196E
Thickness: 1.3mm



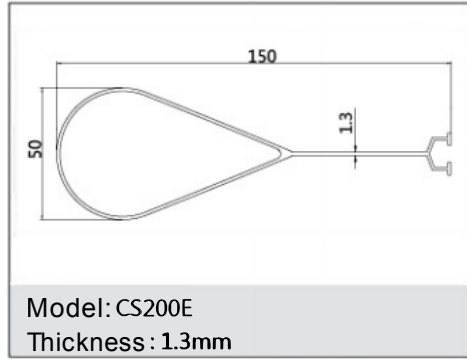
Model: CS197E
Thickness: 0.8mm



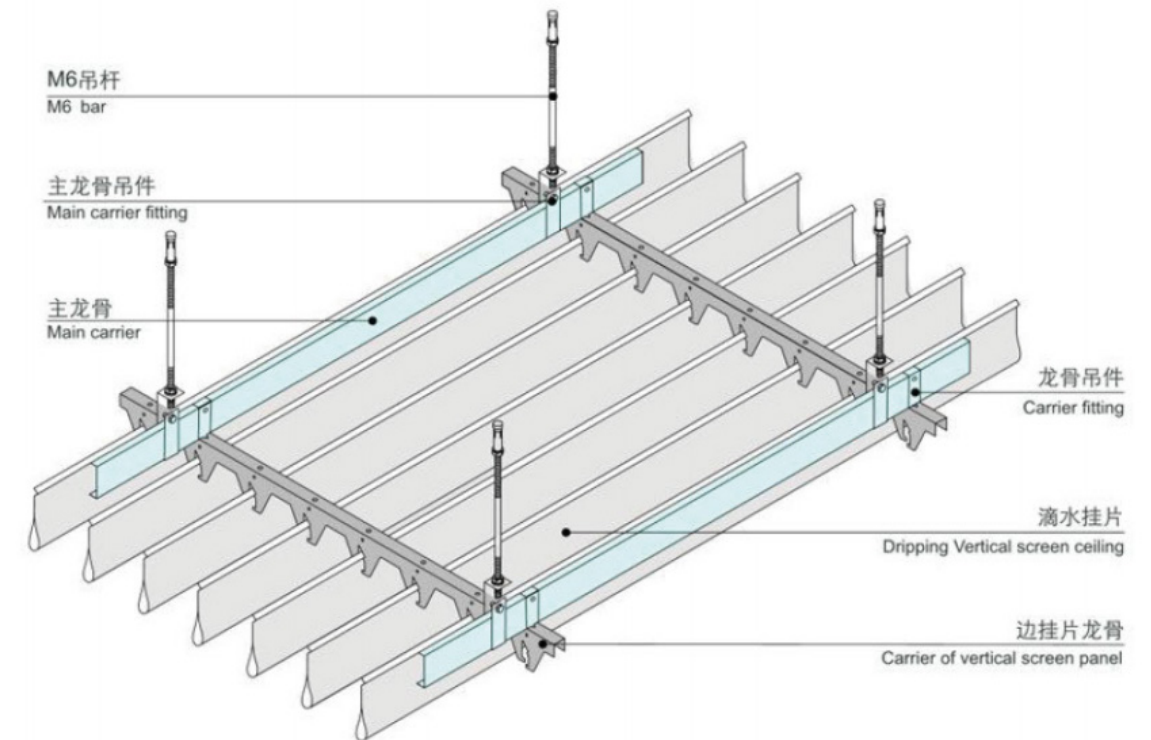
Model: CS198E
Thickness: 0.8mm



Model: CS199E
Thickness: 0.8mm



Model: CS200E
Thickness: 1.3mm



Serial No.	Length (mm)	Width (mm)	Thickness (mm)	
1	10	10	0.7	
2			1	
3	12	10	0.7	
4	15	10	1.0	
5	15	15	1	
6			1.2	
7	16	16	1.2	
8	19	19	1.2	
9			2.0	
10	20	10	0.8	
11			1	
12			1.5	
13	20	15	1	
14			1.2	
15			1.6	
16	20	20	0.55	
17			0.7	
18			0.8	
19			0.9	
20			1	
21			1.2	
22			1.5	
23			1.8	
24			2	
25			3	
26	20	25	0.9	
27			1	
28			1.6	
29			2	
30	25	10	1.0	
31			1.2	
32		15	1.0	
33			1.2	
34			1.8	
35		25	25	0.5
36				0.65
37				0.8
38	1			
39	1.2			
40	1.4			
41	1.5			
42	1.8			
45			2	
46			3	
47	30	15	0.84	
48			1	
49			1.2	
50			1.5	
51				2.05
52		20	0.5	
53			0.7	
54			0.85	

Serial No.	Length (mm)	Width (mm)	Thickness (mm)
55	30	30	1
56			1.2
57			1.5
58			1.8
59			2.9
60			30
61	1		
62	1.2		
63	1.4		
64	30	30	0.8
65			1
66			1.1
67			1.2
68			1.4
69			2
70			3
71	32	32	1.2
72			1.4
73	35	35	1
74			1.5
75			2
76	38	20	1.0
77			0.6
78		0.8	
79		1	
80		25	1.2
81			1.4
82			1.8
83			2
84			3
85			38
86	1.2		
87	1.4		
88	2		
89	40	10	3
90			1
91		1.2	
92		0.9	
93		1.4	
94		2.0	
95		20	0.8
96			1
97			1.2
98			1.5
99			1.85
100			2
101	25	1	
102		1.6	
103		2.06	
104	30	0.8	
105		1	
106			1.2

Serial No.	Length (mm)	Width (mm)	Thickness (mm)
107	40	30	1.5
108			1.8
109			2
110			3
111			40
112	0.8		
113	1		
114	1.2		
115	1.5		
116	1.8		
117	2		
118	2.5		
119	3		
120	3.5		
121	45	45	4.9
122			1.2
123			1.5
124			1.8
125	50	10	3
126			1
127			1.2
128	50	15	1.0
129			1.15
130		20	1.4
131			0.7
132	50	20	1
133			1.2
134			1.4
135			3
136		25	0.6
137			0.8
138			1
139			1.2
140			1.5
141			2
142			2.9
143			3
144	50	30	0.8
145			1
146			1.2
147			1.5
148			1.9
149		2	
150		40	2.4
151			3
152			0.8
153			1
154	1.2		
155	1.5		
156	1.8		
157	2		
158			2.35

Serial No.	Length (mm)	Width (mm)	Thickness (mm)	
159	50	40	3	
160			0.8	
161		50	50	1
162				1.1
163				1.2
164				1.4
165				1.8
166				2
167				2.5
168				3
169	4			
170	5			
171	60	20	1	
172			1.2	
173			1.3	
174		25	1.5	
175			1.8	
176			0.9	
177	60	30	1	
178			1.2	
179			3	
180		40	0.8	
181			1	
182			1.2	
183	60	30	1.5	
184			2	
185			3	
186		40	0.6	
187			0.8	
188			1	
189	60	40	1.2	
190			1.4	
191			2	
192		50	3	
193			1	
194			1.2	
195	60	50	1.5	
196			1.8	
197			1	
198		60	1.2	
199			1.5	
200			1.8	
201	70	60	2	
202			2.5	
203			3	
204		20	3.5	
205			0.8	
206			1	
207	25	2		
208		0.95		
209		1.2		
210		2		

Serial No.	Length (mm)	Width (mm)	Thickness (mm)		
211	70	30	1		
212			1.2		
213			1.4		
214			2		
215	70	40	1.8		
216		50	1.0		
217			1.3		
218			1.8		
219	70	1.5			
220		2			
221	75	30	1.5		
222		50	1.2		
223			1.5		
224			75	1.8	
225	76	25	0.6		
226			0.8		
227			1		
228			1.2		
229			1.5		
230			1.8		
231			2		
232			3		
233			76	44	0.6
234					0.8
235	1				
236	1.2				
237	1.5				
238	1.8				
239	2				
240	3				
241	76	76			1.2
242					1.5
243			2		
244			3		
245	80	10	1.2		
246	80	20	0.8		
247			1		
248			1.2		
249			1.8		
250			2		
251		25	0.8		
252			1		
253			1.2		
254			1.5		
255			2		
256		3			
257	80	30	0.8		
258			1		
259			1.2		
260			1.4		
261			1.5		
262			2		

Serial No.	Length (mm)	Width (mm)	Thickness (mm)		
263	80	30	2.7		
264	80	40	0.8		
265			1		
266			1.2		
267			1.4		
268			1.8		
269			2		
270			3		
271			80	44	0.8
272					0.9
273					1
274	1.2				
275	1.4				
276	1.8				
277	2				
278	3				
279	80	50			0.8
280					1
281			1.2		
282			1.4		
283			1.8		
284			2		
285			3.0		
286			80	60	1.2
287					1.45
288					1.8
289	2				
290	3				
291	2.5				
292	80	80			1
293					1.2
294					1.5
295					1.8
296			2		
297			3		
298			15		
299			90	20	0.85
300				1.5	
301				25	0.8
302	1				
303	90	30	1.2		
304		50	0.9		
305			1		
306			1.4		
307	90	1.6			
308	91	22	0.95		
309	100	10	0.9		
310			1		
311			1.2		
312		15	1		
313			2		
314			18	2	

Serial No.	Length (mm)	Width (mm)	Thickness (mm)		
315	100	20	0.8		
316			1.2		
317			1.8		
318		25	0.8		
319			0.9		
320			1		
321			1.2		
322			1.5		
323			1.9		
324			2		
325	3				
326	100		30	0.8	
327				1	
328		1.2			
329		1.5			
330		1.8			
331		2			
332		3			
333		100		40	0.9
334					1
335					1.4
336	1.8				
337	2				
338	3				
339	100		44		0.8
340					0.94
341					1
342					1.2
343		1.5			
344		1.8			
345		2			
346		2.5			
347		3			
348		100		60	0.8
349	0.9				
350	1				
351	1.2				
352	1.4				
353	1.5				
354	1.8				
355	2				
356	2.5				
357	3				
358	4				
359	100	70	1		
360			1.2		
361			1.5		
362			1.8		
363			2		
364			3		
365			100	80	1.25
366			100	80	1.3

Serial No.	Length (mm)	Width (mm)	Thickness (mm)	
367	100	80	1.8	
368	100	100	2.8	
369			1.3	
370			1.5	
371			1.8	
372			2	
373			2.5	
374			3	
375			4	
376			5	
377			120	20
378	1.5			
379	25	1.2		
380		1.5		
381		1.8		
382	30	2		
383		1.2		
384		1.9		
385	120	40	1	
386			1.2	
387			1.5	
388			2	
389			3	
390	120	50	1.2	
391			1.5	
392			1.8	
393			2	
394			3	
395		60	1.2	
396			1.5	
397			1.8	
398			2	
399			2.4	
400	120	70	3	
401			3.0	
402			80	1.2
403				1.5
404				1.8
405		2		
406		3		
407		100	1.5	
408			2	
409			2.9	
410	120		2	
411			3	
412		5		
413	125	50	3.0	
414		80	1.4	
415	130	130	2	
416			2.5	
417			3	
418			4.5	

