



YAOXING
ALUMINUM

耀 型 铝 业 有 限 公 司
Aluminum Profiles Solutions Since 1993



+86-133 3641 2162
yxalufactory@gmail.com
www.yx-aluminum.com
Xinghong Road, Shishan Town, Foshan City, Guangdong, China



PERGOLA

Embrace Nature, Right Under Your Louvered Pergola

—
**Experience the comfort
under the sunshine**

在阳光下也能感受到如沐春风般的舒适

You can also feel the comfort of basking in spring
breeze under the sunshine



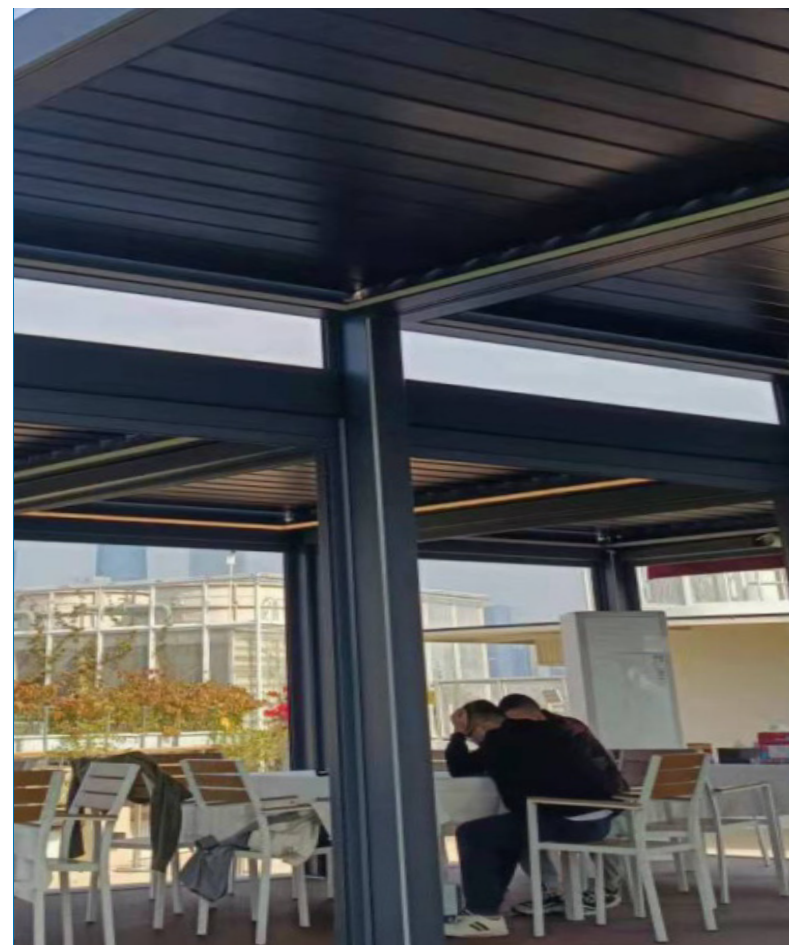
ITEM/RECORD

目 / 录

Cases of foreign sunshade street scenes	04-05
Aluminum Louvered Pergola	
F168 - - - - -	06-11
F210 - - - - -	12-17
Aluminum Electric Louvered Pergola	
E170 - - - - -	18-23
E300 - - - - -	24-29
Aluminum Fixing Roof Pergola	
F170 - - - - -	32-37
Windproof Rolling Shutter	
108/130 - - - - -	40-45
Multiple Matching Options	47-53

Sunshade

Street View 国外遮阳街景





F168 Aluminum Louvered Pergola
Bioclimatic Pergola

The F168 aluminum louvered pergola, fully aluminum-made, is an architectural artwork with versatile form transformations. Open louvers let in sunlight and breeze at a set angle; closed, they block sun and rain entirely, with rain draining via preset channels. Weather and environment resistant, it's durable, lasting up to 20 years.

Product advantages
— 产品优势

Dimensions :
Maximum Size
Per Set: 3m x 4m

Frame color
Standard: Regal Gray,
Pearl White
(Custom Colors Available)

Material
Aviation-Grade Aluminum,
Tiger Powder Coating

Lighting
Lights In Blade Gaps
/ Lights In Gutter



Strong Wind Resistance



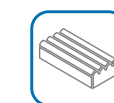
Sunshade



Rainproof



Heat Insulation



Full Aluminum



LED Strip Lighting



Manual

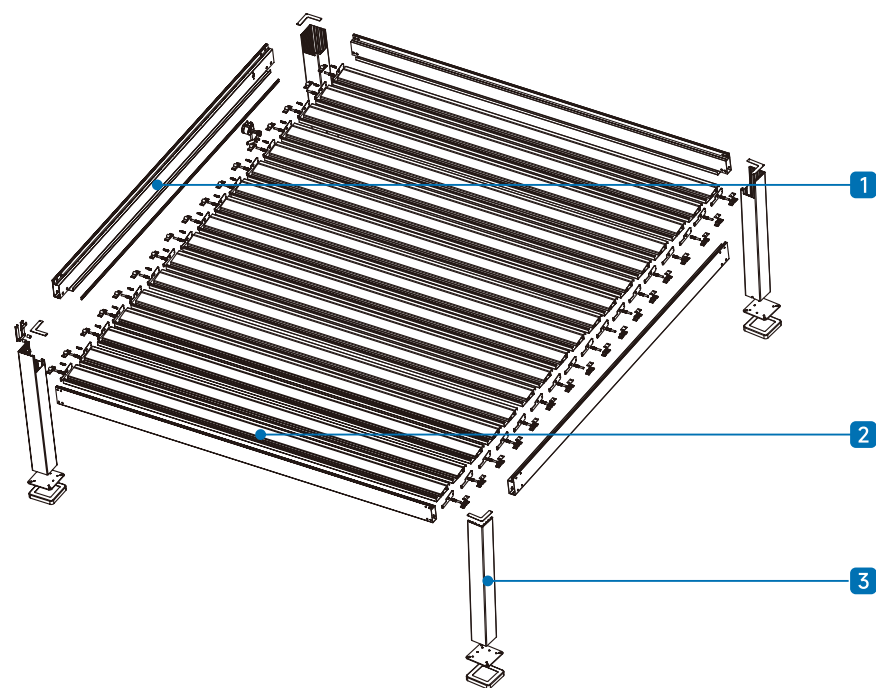


Electric

DECOMPOSITION MAP

分解图

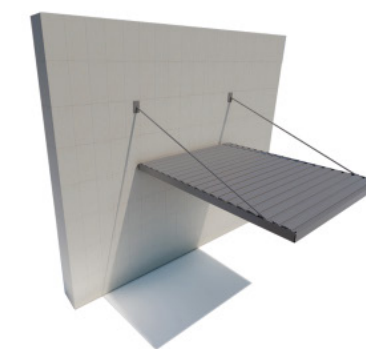
F168 Aluminum Louvered Pergola



Serial Number	Name	Size(mm)	Cross - Section Diagram
1	Gutter	140×85×1.5	
2	Louver	168×35×1.5	
3	Column	120×120×1.5	

Installation Mode

— 安装方式



Hoisting



Clamping



Single - Side Wall - Mounted



Four - Posts



Six - Posts



WIDTH MAX.



LENGTH MAX.

Product Cases
— 产品案例

Villa Courtyard
—
别墅庭院



High End Clubhouse
—
高端会所



Feel the little
Beauty of life,
It is a rare happiness.

Product Details
— 产品细节





F210 Aluminum Electric Louvered Pergola
Bioclimatic Pergola

Product advantages
— 产品优势

— **Dimensions :**
Maximum Size
Per Set: 4m x 6m

— **Material**
Aviation-Grade Aluminum,
Tiger Powder Coating

— **Frame color**
Standard: Regal Gray,
Pearl White
(Custom Colors Available)

— **Lighting**
Lights In Blade Gaps
/ Lights In Gutter



Multiple Matching Options

The F210 aluminum electric louvered pergola features upgraded profiles and components, enhancing its durability. It also incorporates an rgb lighting system, allowing for arbitrary color changes to create diverse ambiances. whether for a cozy romantic dinner or a lively party, it delivers rich and varied visual enjoyment.



Strong Wind Resistance



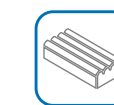
Sunshade



Rainproof



Heat Insulation



Full Aluminum



LED Strip Lighting



Manual

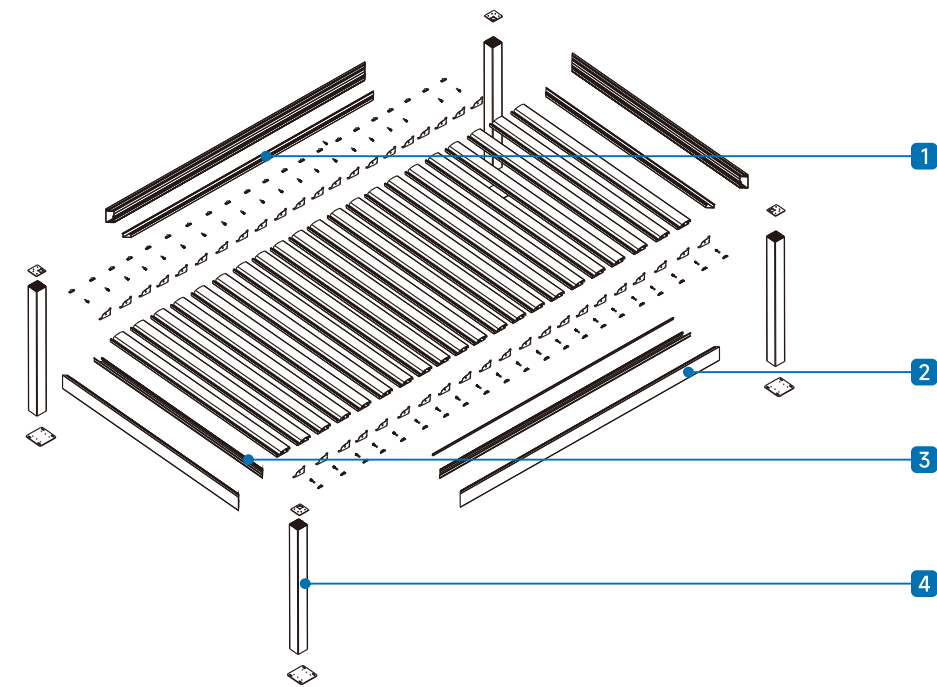


Electric

DECOMPOSITION MAP
分解图

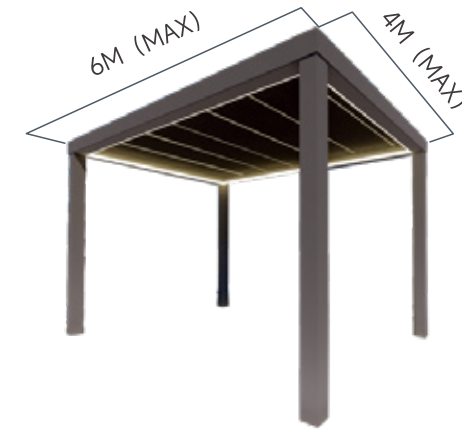
F210 Aluminum Electric Louvered Pergola

Serial Number Name Size(mm) Cross - Section Diagram

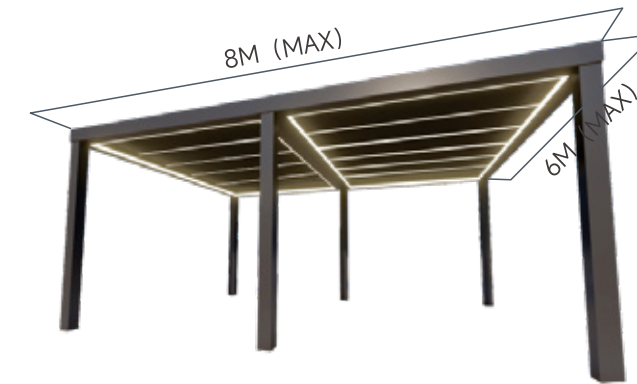


1	Gutter	89×58×1.5	
2	Side Beam	200×68×2.3	
3	Louver	210×50×1.8	
4	Column	150×150×3.0	

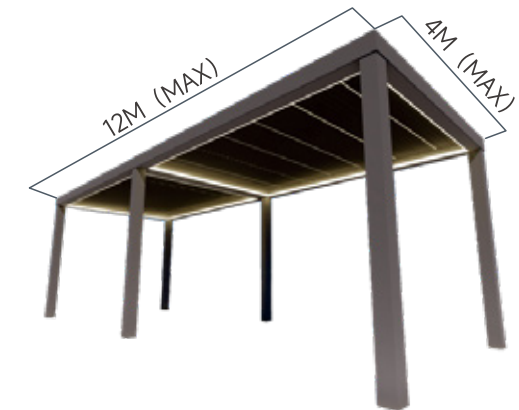
Installation
Mode
— 安装方式



Four - Posts



Six - Posts



Six - Posts



WIDTH MAX.



LENGTH MAX.

Product Cases
— 产品案例

Villa Courtyard
—
别墅庭院

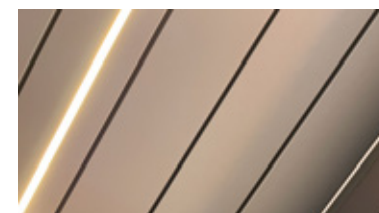
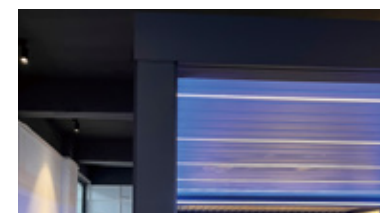
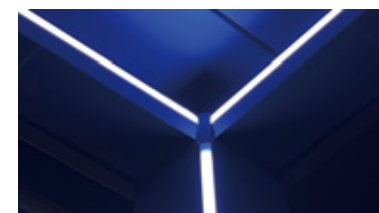


High End Clubhouse
—
高端会所



Let us in
A busy world,
Find a peaceful place of your own.

Product Details
— 产品细节





E170 Aluminum Retractable Louvered Pergola

Bioclimatic Pergola

Meet the E170 aluminum retractable louvered pergola—aluminum strength meets flexible design. Its key feature: stretchable, flip louvers. fold them back to open 60% of the roof for sun and breeze; close tight to block rain, glare and wind (rain drains via hidden systems). Pair with zip screens, sliding glass doors, aluminum shutters or led lights—it suits reading or gatherings, adding style and versatility to outdoor spaces.

Product advantages

— 产品优势

Dimensions :

Maximum Size
Per Set: 4m x 6m

Material

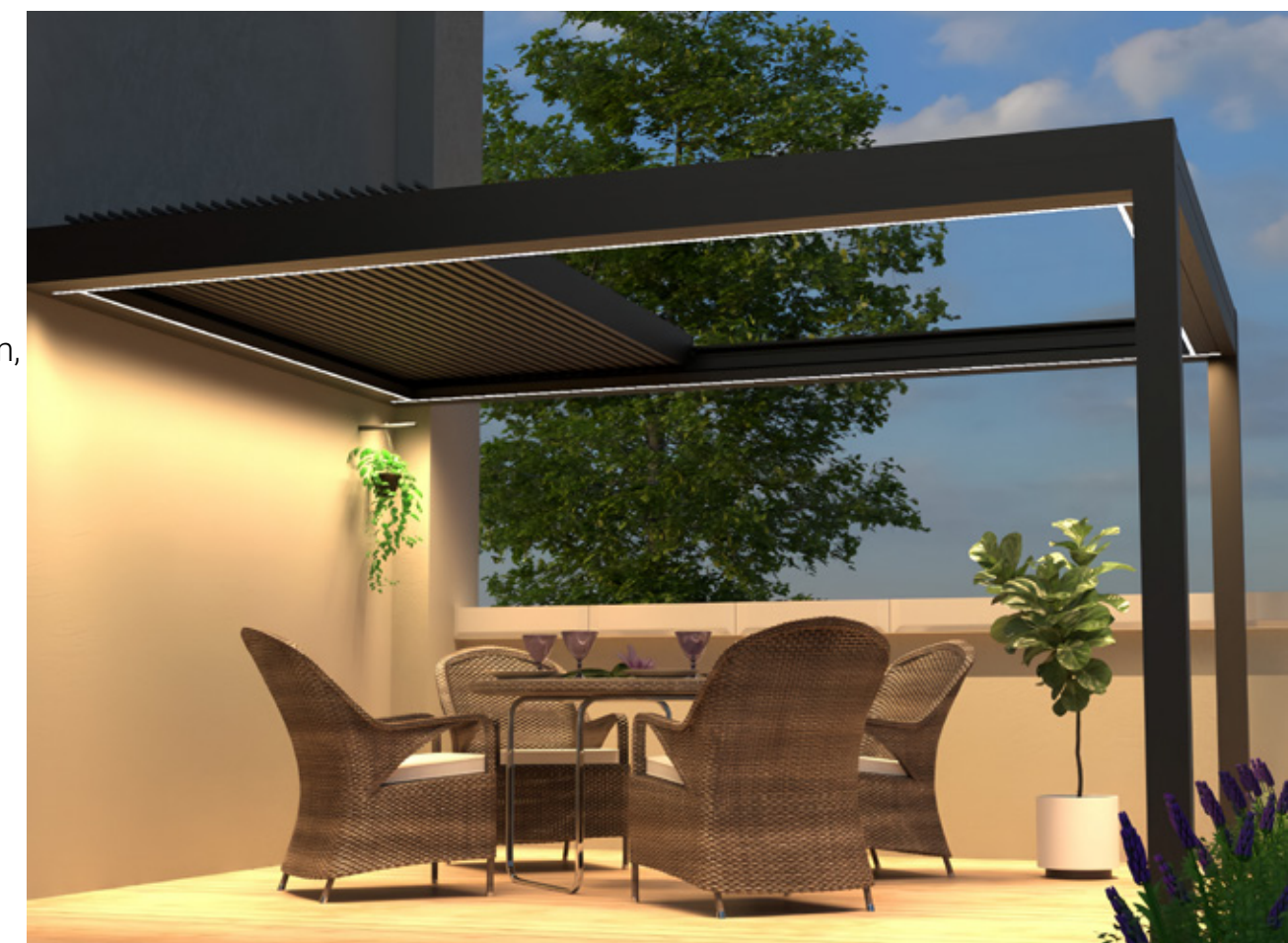
Aviation-Grade Aluminum,
Tiger Powder Coating

Frame color

Standard: Regal Gray,
Pearl White
(Custom Colors Available)

Lighting

Lights In Gutter



Strong Wind
Resistance



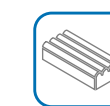
Sunshade



Rainproof



Heat Insulation



Full Aluminum



LED Strip Lighting



Manual



Electric

DECOMPOSITION MAP

分解图

E170 Aluminum Retractable Louvered Pergola

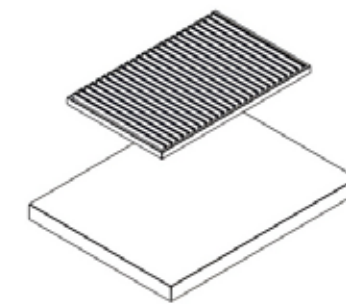
Maximum 60%



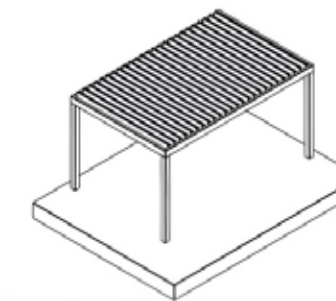
Serial Number	Name	Size(mm)	Cross - Section Diagram
1	Gutter	122×75×1.2	
2	Side Beam	114×62×1.6	
3	Louver	170×50×1.6	
4	Column	120×120×3.0	

Installation Mode

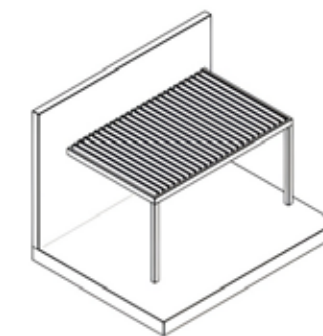
— 安装方式



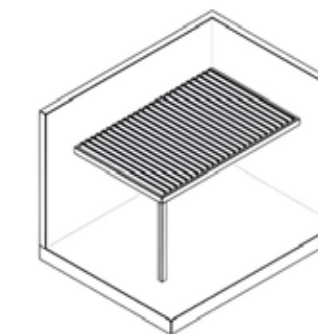
Match Original Frame



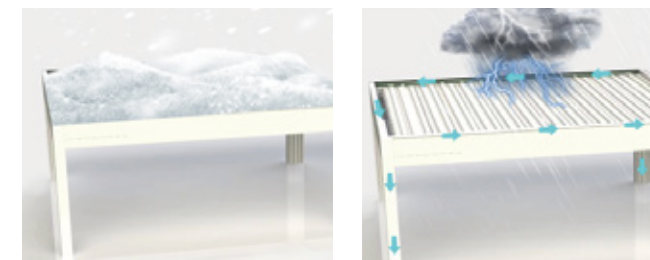
Free Standing



Wall Mount with 2 Posts



Wall Mount with 1 Post



WIDTH MAX.



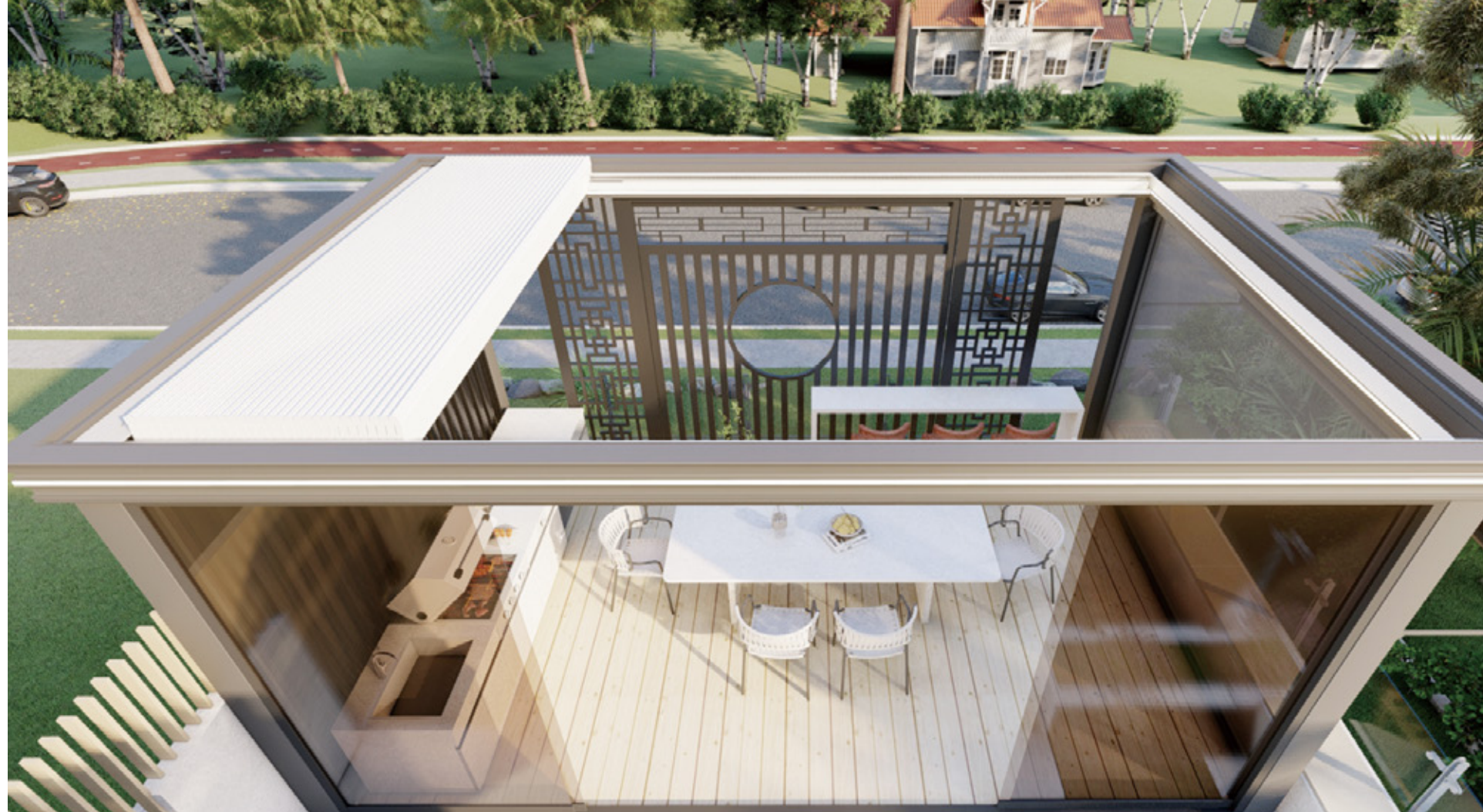
LENGTH MAX.

Product Cases
— 产品案例



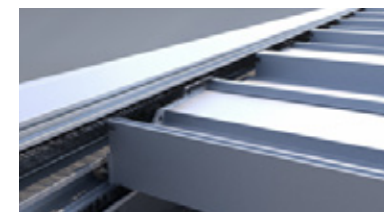
Clubhouse
Swimming Pool
—
会所泳池

Villa
Courtyard
—
别墅庭院



Blocking out the
Dazzling sunlight
And adding a touch of tranquility
and comfort to the living room

Product Details
— 产品细节





E300 Aluminum Retractable Louvered Pergola
Bioclimatic Pergola

The E300 aluminum retractable louvered pergola is a fully aluminum, multi-functional outdoor structure. Its core: retractable, flip-adjustable louvers—folding opens 70% of the roof for sunlight and fresh air; closed, it forms a sturdy barrier against sun, rain and wind (rain drains via built-in systems). Compatible with zip screens, glass sliding doors, aluminum shutters and led lights, it suits reading, relaxing or gatherings, offering rich visual enjoyment.

Product advantages
— 产品优势

- Dimensions :
Maximum Size
Per Set: 6m x 6m
- Material
Aviation-Grade Aluminum,
Tiger Powder Coating
- Frame color
Standard: Regal Gray,
Pearl White
(Custom Colors Available)
- Lighting
Lights In Gutter



Strong Wind Resistance



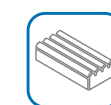
Sunshade



Rainproof



Heat Insulation



Full Aluminum



LED Strip Lighting



Manual



Electric

DECOMPOSITION MAP

分解图

E300 Aluminum Retractable Louvered Pergola

Maximum 70%

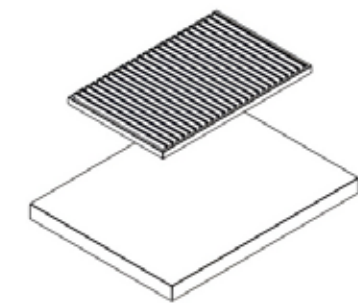


Serial Number	Name	Size(mm)	Cross - Section Diagram
1	Gutter	122×75×1.6	
2	Side Beam	114×62×1.6	
3	Louver	260×56×3	
4	Column	150 ×150 ×3.0	

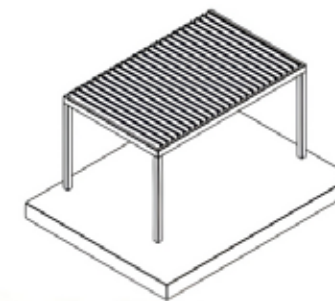
Installation

Mode

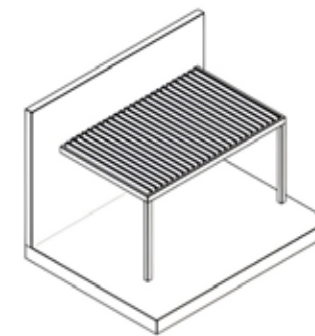
— 安装方式



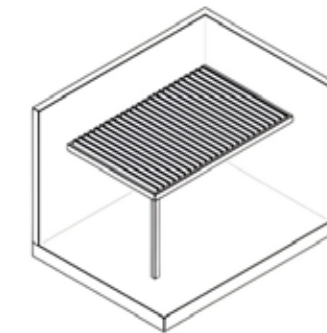
Match Original Frame



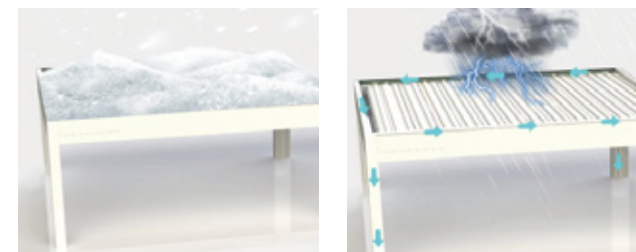
Free Standing



Wall Mount with 2 Posts



Wall Mount with 1 Post



WIDTH MAX.



LENGTH MAX.

Product Cases
— 产品案例

Villa Courtyard
— 别墅庭院



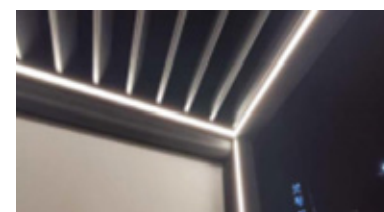
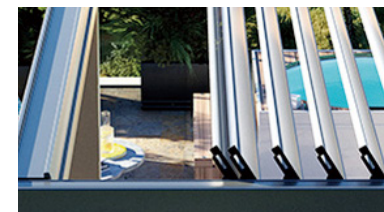
Clubhouse Swimming Pool
— 会所泳池



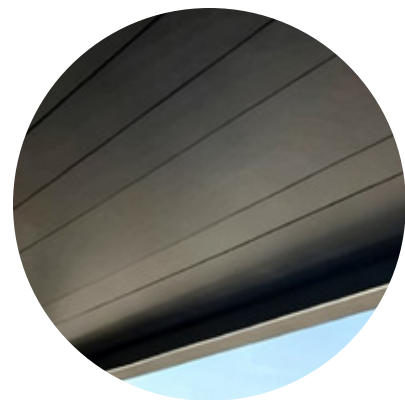
Let me be in the
Summer sunshine

Can also maintain a happy mood

Product Details
— 产品细节



HOW IT WORK?



WHEN CLOSED

Compared to traditional PERGOLA, this model presents a more sleek and generous appearance, also exuding a more upscale and motorized advanced vibe.

ON OPENING

The blades are angled for optimal ventilation up to 70 degree. The blades can be opened or folded, offering a broader view and enhanced airflow, overcoming the traditional limitations of enclosed sunshades.



WHEN FLODED

When folded, the blades automatically move to a fixed position. Besides the conventional shading function of large louvers, they can also fold and retract to one side, not occupying any space at all.

Specification

Motor	24V safe voltage/120W Low Power; Only 1 single motor control 1 pergola
Running Program	Safe Auto Adjust Motor Program. Smart serve motor design helps to stop when obstacle is detected.
Roofing	Spliced Strip Aluminum Panel, Quiet and Smooth Operation
Water Gutter	Built-in on beam and post, water goes down to the floor from post.



Waterproof Design: 0.04-0.05L/s/m².

Anti-Wind Design: 120 miles/h, 1.761 kPa

Snow Loading Design: >120kgs/m²(E170)>200kgs/m² (E300)



F170 Aluminum Fixing Roof Pergola
Bioclimatic Pergola

The F170 aluminum fixing roof pergola is a fully aluminum, stable and functional outdoor structure. Its fixed roof reliably blocks sun, rain and wind (rain drains via built-in systems). Weather-resistant, durable, it has a 20-year service life.

Product advantages

— 产品优势

Dimensions :

Standard Size
Per Set: 3m x 3m
3m x 4m



Frame color

Standard: Regal Gray,
Pearl White
(Custom Colors Available)

Material

Aviation-Grade Aluminum,
Tiger Powder Coating

Lighting

Lights In Gutter



Strong Wind Resistance



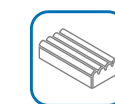
Sunshade



Rainproof



Heat Insulation



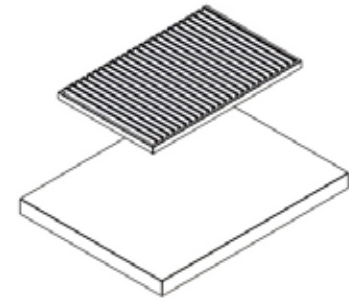
Full Aluminum



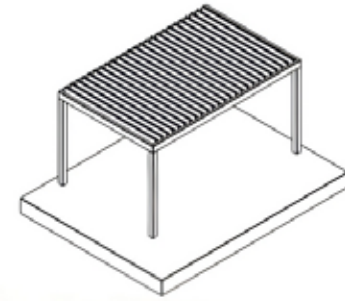
LED Strip Lighting

Installation Mode

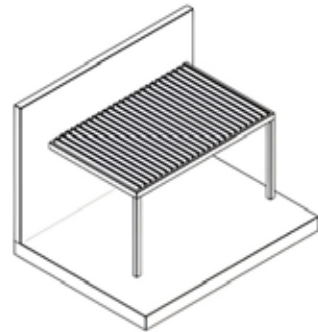
— 安装方式



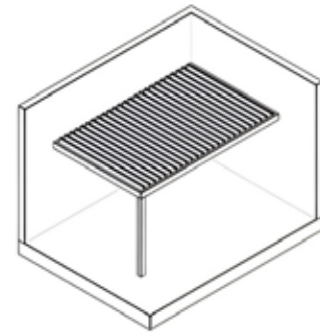
Match Original Frame



Free Standing



Wall Mount with 2 Posts



Wall Mount with 1 Post



WIDTH MAX.



LENGTH MAX.

Indulge in
The tranquility
And beauty of this moment





Your outdoor
Companion,
Quality and beauty coexist

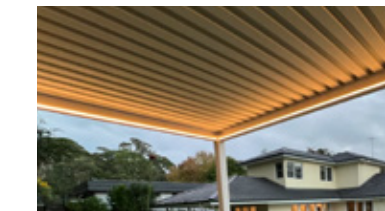
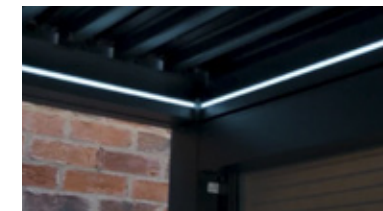
您的户外好伴侣，品质与美观并存



Villa
Courtyard
—
別墅庭院



Product Details
— 产品细节





OEM
&
ODM

Colors



Space Gray



Sand Gray



Metallic Gray



Black Spar Stone



Coffee



Starry Coffee



Matte Black



Starry Gray



Enamel White

HONOR CERTIFICATE — Certificate Qualification



108/130 Windproof Rolling Shutter
Zip Screen

Product advantages
— 产品优势

— Dimensions :
Maximum Size
Per Set: 6m x 6.5m

— Material
Aviation-Grade Aluminum,
Tiger Powder Coating

— Frame color
Standard: Regal Gray,
Pearl White
(Custom Colors Available)

— Lighting
Lights In Gutter



108/103 windproof rolling shutters boast a multitude of advantages. They exhibit strong wind resistance, capable of withstanding strong winds to maintain structural integrity. They offer effective temperature control, helping to regulate indoor temperatures and reduce energy costs for heating and cooling. They provide reliable rain resistance to keep out rainwater. Furthermore, they have fall - prevention functionality, enhancing safety.



Strong Wind Resistance



Sunshade



Rainproof



Mosquito Prevention



Fall Prevention

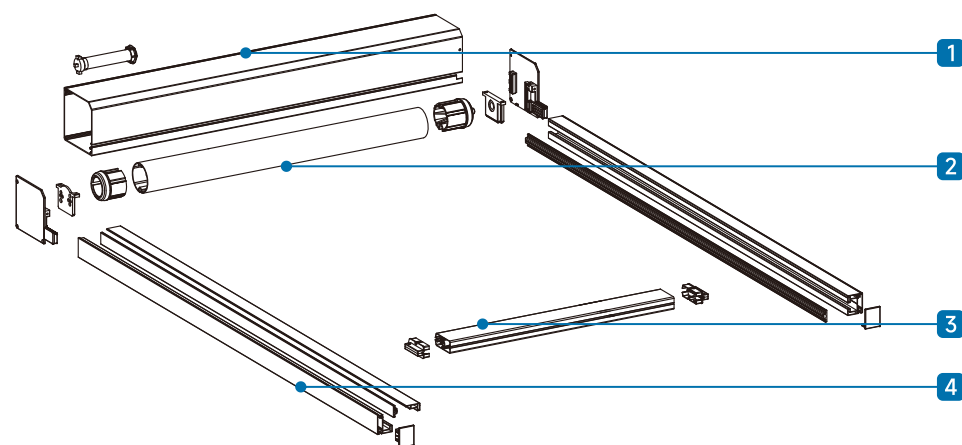


Scenic Transparency
with Privacy Shielding

DECOMPOSITION MAP

分解图

108/130 Windproof Rolling Shutter



Serial Number	Name	Size(mm)	Cross - Section Diagram
1	130 Windproof Roller Shade Large Hood Box	130×130×2	
1	108 Windproof Roller Shade Hood Box	108×108×2	
2	Fabric Roller Tube	73×2/80×2	
3	Bottom Rail	30×70×1	
4	Side Rail	40×50×1.2	

Installation

Mode

— 安装方式

> Exterior Installation



> Interior Installation



Product Details

— 产品细节



Product
Cases
— 产品案例

Pergola
Companion
—
凉亭伴侣



Villa
Courtyard



Villa
Courtyard
—
别墅庭院

Let me be in the
Summer sunshine
Can also maintain a happy mood



Aluminium Shutter

☀️ A widely usable indoor and outdoor shading system.

☀️ An operable rotary system with any opening degree to control light and ventilate easily.



Fixed Shutter
OS-1

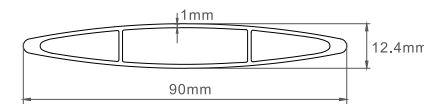


Bi-folding Shutter
OS-2



Sliding Shutter
OS-4

Blade Size:



Standard Color:



- ☀️ Shading
- 🛡️ Protection
- 🏛️ Decoration
- 👁️ Privacy
- 🔥 Heat-insulated
- 🌿 UV resistant

Sheer Curtain

- ☀️ A lightweight, soft, silky-feeling and transparent fabric.
- ☀️ A transparency and fullness to provide just enough privacy during daylight hours.
- ☀️ A Hi-Clean Finishing, Solar Heat Protection, Solar Light Protection, U.V Rays Protection performance.



Standard Translucent
Fabric:



Shading



Light-adjust



Ventilation



Privacy



UV resistant

Aluminium Balustrade

☀️ An easy-installation, cost effective and low maintenance system.

☀️ A strong structure and long-lasting colour to offer you safe outdoor space.

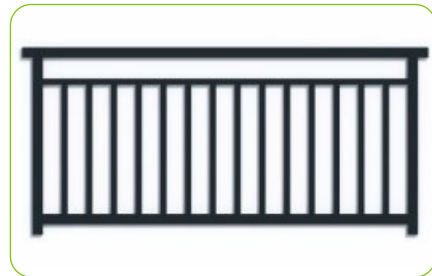


Standard Color:



Dark Gray
YFC30038
RAL7016

Standard Model:



▲ BAL-01



▲ BAL-02



▲ BAL-03



▲ BAL-04



Protection



Decoration

Zip Screen



Glass Sliding Door



Auminium Shutter



LED Light

