

# JD-LED-053



A



B



Detachable head



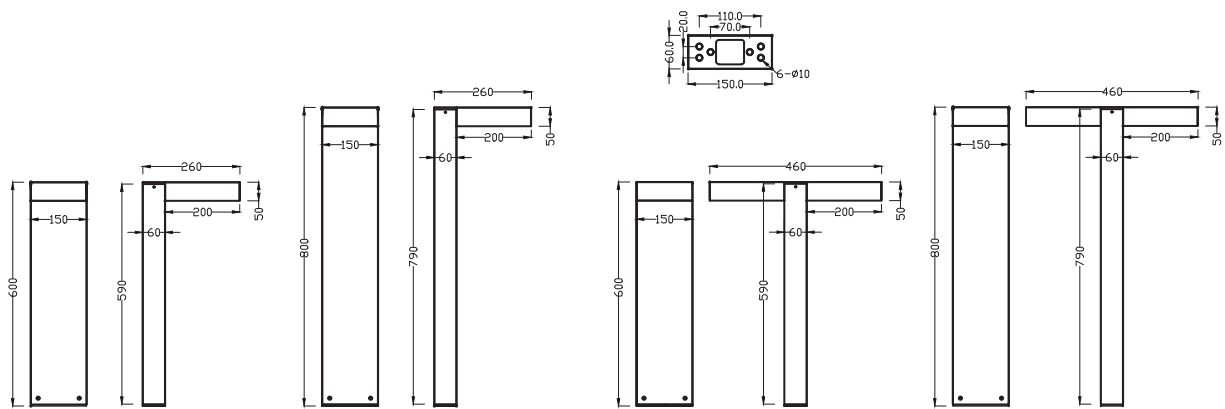
Die casting inner base



Injection opal & frosted diffuser



LED lens options



A

B

## Application:



Walkways



Parks / Gardens



Car parks



Prestigious

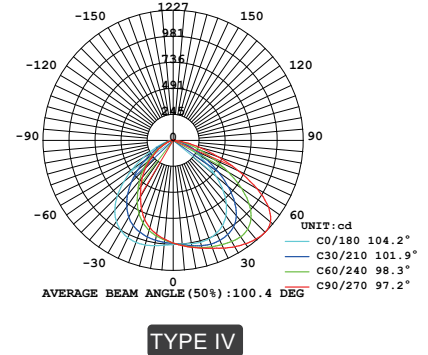
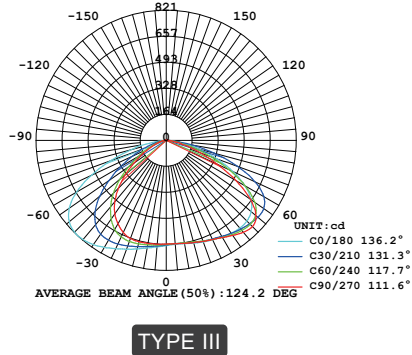
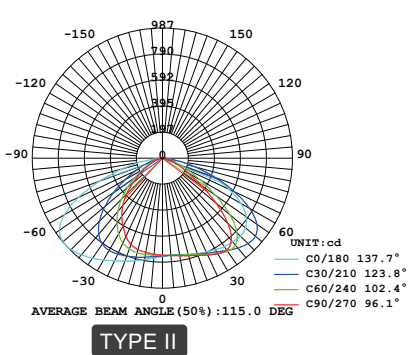


Retail



Amenity

## Distribution:



## Features:

- Main body is made of Die-casting aluminum alloy with Extruded aluminum alloy.
- The diffuser is a opal/frosted anti-UV injection polycarbonate for high efficiency and vandal resistance.
- Lumileds 2835 led chip and Osram driver as regular, Tridonic, Eaglerise ,Kegu, Sosen, Meanwell driver options.
- Easy access to LED and driver via a removable head.
- 2700-6500K, 3CCT color temperature options.
- Tamper proof fixings for increased vandal resistance.
- Anti-UV electrostatic powder spraying, regular color: Black, Silver, RAL7043, RAL7016.
- IP65 rating water and rust proof protection.
- IK08 rating housing protection.
- Warranty is 5 years.

## Specification:

Item No.	LED	Lumens	Wattage	CCT	CRI
JD-LED-053-10W	Lumileds 2835	1000Lm	10W	2700-6500K	≥80
JD-LED-053-15W	Lumileds 2835	1500Lm	15W	2700-6500K	≥80
JD-LED-053-20W	Lumileds 2835	2000Lm	20W	2700-6500K	≥80
JD-LED-053-25W	Lumileds 2835	2500Lm	25W	2700-6500K	≥80
JD-LED-053-30W	Lumileds 2835	3000Lm	30W	2700-6500K	≥80