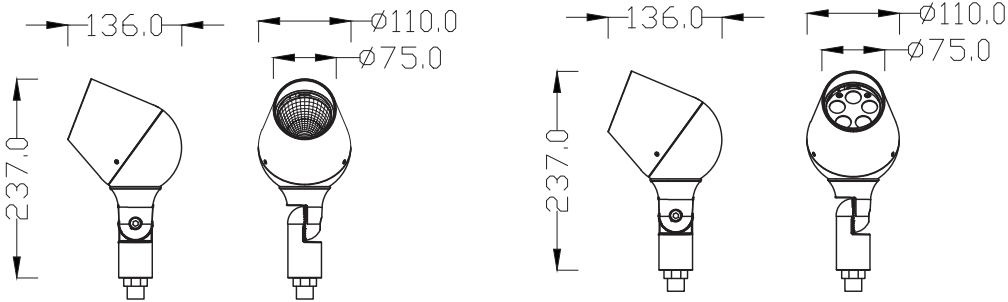


# JD-LED-008S

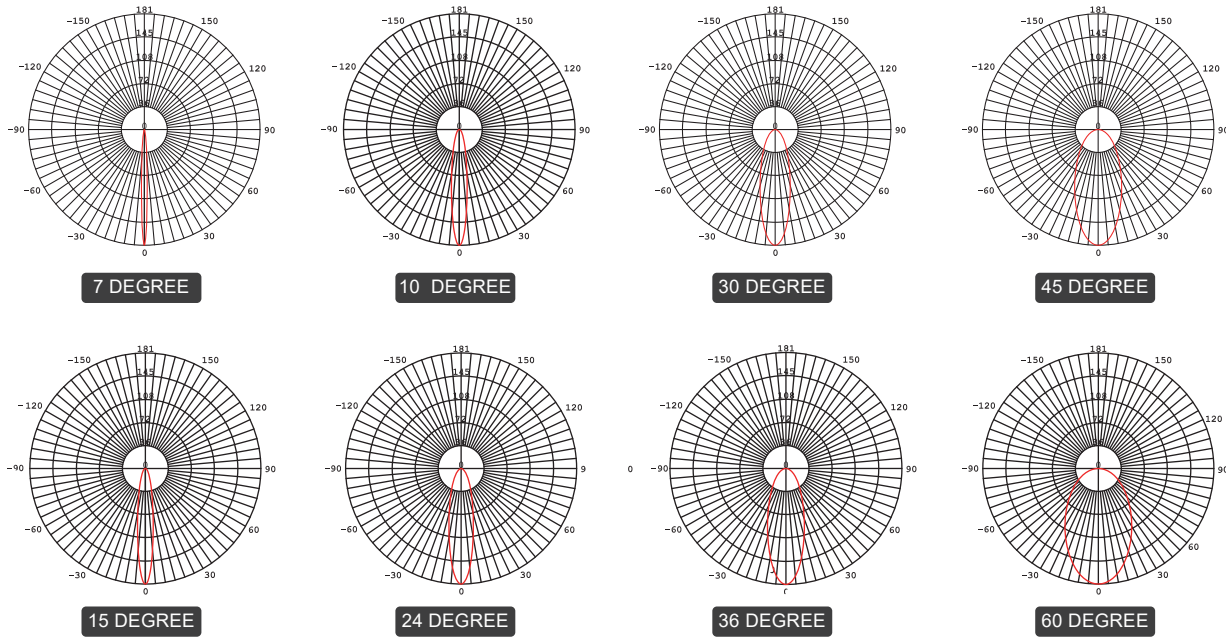


Honeycomb

## Application:

Walkways	Parks / Gardens	Car parks	Prestigious	Retail	Amenity

## Distribution:



## Features:

- Main body is made of die-casting aluminum alloy .
- The diffuser is a clear tempered glass for high efficiency and vandal resistance.
- Lumileds 3030,CREE COB or SMD led chip,with Eaglerise driver as regular,Kegu ,Philips and Tridonic driver options, 0-10V,DALI,PWM dimmable options.
- 2700-6500K color temperature options.
- Adjustable head angle design.
- Tamper proof fixings for increased vandal resistance
- Anti-UV electrostatic powder spraying,regular color:Black,Silver,RAL7043,RAL7016
- IP66 rating water and rust proof protection.
- IK08 rating housing protection.
- Warranty is 5 years.

## Specification:

Item No.	LED	Angle(lens)	Wattage	CCT	CRI
JD-LED-008S-COBDL	CREE COB	15°24°36°60°	10W	2700K-6500K/RGB/RGBW	≥80
JD-LED-008S-COBDL	CREE COB	15°24°36°60°	15W	2700K-6500K/RGB/RGBW	≥80
JD-LED-008S-COBDL	CREE COB	15°24°36°60°	20W	2700K-6500K/RGB/RGBW	≥80
JD-LED-008S-SMDD	CREE 3535	7°10°30°45°	10W	2700K-6500K/RGB/RGBW	≥80
JD-LED-008S-SMD	CREE 3535	7°10°30°45°	15W	2700K-6500K/RGB/RGBW	≥80
JD-LED-008S-3030	Lumileds 3030	20°30°45°60°	10W	2200K-6500K	≥70
JD-LED-008S-3030	Lumileds 3030	20°30°45°60°	15W	2200K-6500K	≥70
JD-LED-008S-3030	Lumileds 3030	20°30°45°60°	20W	2200K-6500K	≥70